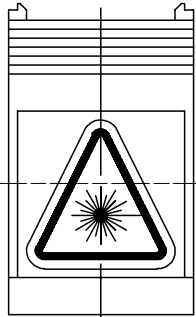
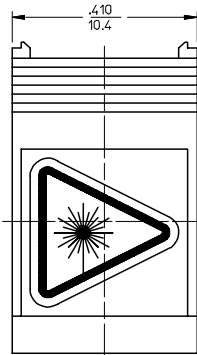


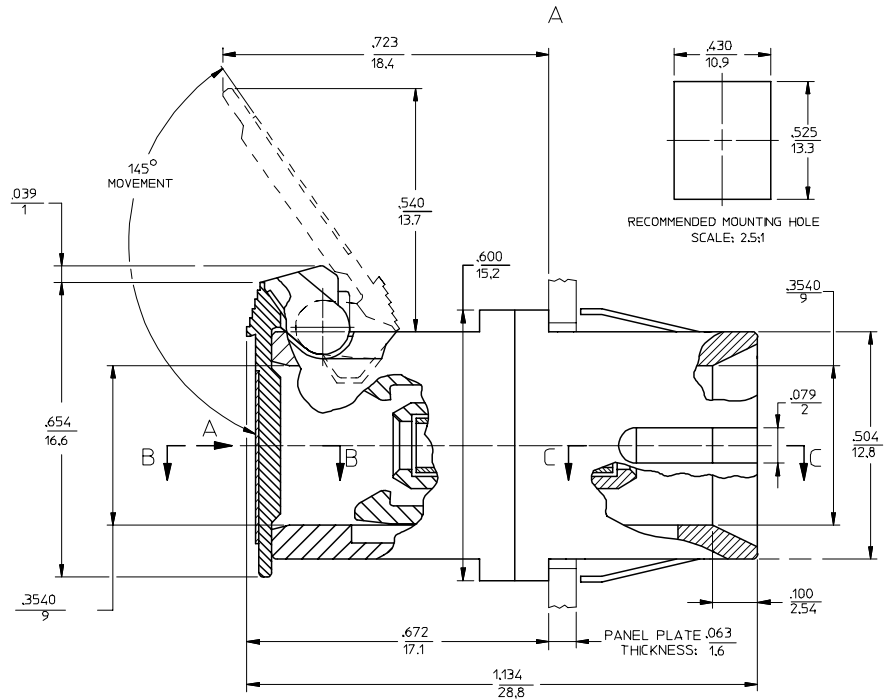
ADAPTER P/N	SPLIT SLEEVE MATERIAL	COLOR OF ADAPTER
106170-0400	ZR	BLACK
106170-0420		GREEN
106170-0430		RED
106171-0400	PHOSPHOR BRONZE	BLACK
106171-0420		GREEN
106171-0430		RED



VIEW A
VERSION 2



VIEW A
VERSION 1



NOTES:

- LABEL MUST BE INSTALLED AND ORIENTED BY CUSTOMER. (SEE VIEW A)
- DUST CAP NOT SHOWN, BUT INCLUDED.

ENTER DESCRIPTION EC NO: MF2006-0237 DRAWN: JGIBLIN 2005/11/29 CHKD: 2005/11/29 APPR: JGUMIN 2005/11/29 REVISIONS A	QUALITY SYMBOLS	GENERAL TOLERANCES (UNLESS SPECIFIED)		DIMENSION STYLE	SCALE	DESIGN UNITS	THIRD ANGLE PROJECTION	
	$\nabla=0$ $\nabla=0$	mm	INCH	IN/MM	4:1	INCH		
		4 PLACES	±	±	DRAWN BY	DATE	TITLE	
		3 PLACES	±	±	RPACIFICI	2005/10/13	BSC ADAPTER WITH SHIELD	
	2 PLACES	±	±	CHECKED BY	DATE			
	1 PLACE	±	±	APPROVED BY	DATE			
		ANGULAR ±1/2°						
		DRAFT WHERE APPLICABLE MUST REMAIN WITHIN DIMENSIONS		MATERIAL NO.	DOCUMENT NO.	SHEET NO.		
				SEE TABLE	SD-10617X-X4X0	1 OF 01		
		THIS DRAWING CONTAINS INFORMATION THAT IS PROPRIETARY TO MOLEX INCORPORATED AND SHOULD NOT BE USED WITHOUT WRITTEN PERMISSION						