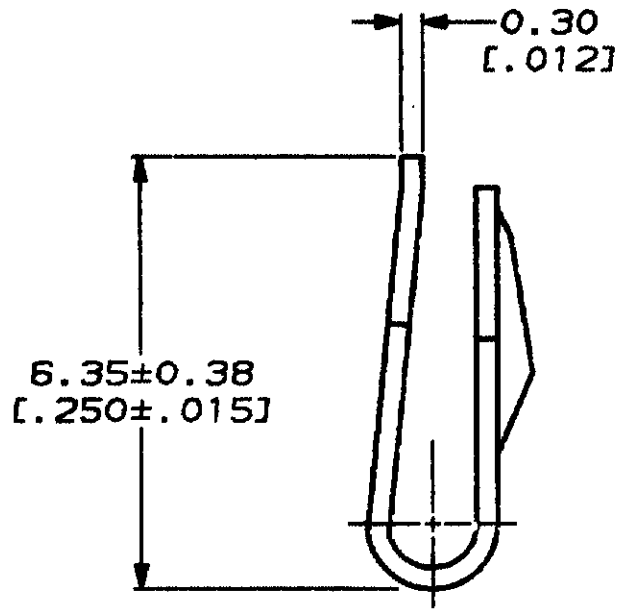
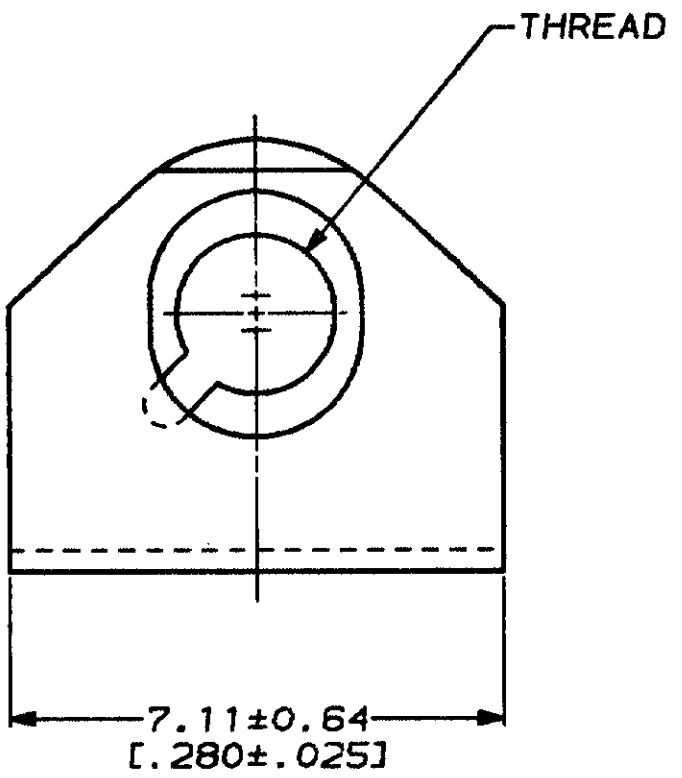


THIS DRAWING IS UNPUBLISHED. RELEASED FOR PUBLICATION, 19  
© COPYRIGHT 19 BY AMP INCORPORATED. ALL INTERNATIONAL RIGHTS RESERVED.

MOD 8 LOC BD DIST 39

REVISIONS				
ZONE	LTR	DESCRIPTION	DATE	APPD
✓	B	REDRAWN & REV PER ECN BD4276	12/10/80	-

△ STAINLESS STEEL PER ASTM A666.



M3 X 0.5	748274-4
4-40	748274-2
THREAD	PART NO

DO NOT SCALE PRINT. UNLESS SPECIFIED DIMENSIONS IN MM (INCHES) TOLERANCES ON: 2 PLC DEC * 0.13 (.005) 3 PLC DEC * - ANGLES * -	DR 12/10/80 B. NOYER
MATERIAL △	CHK J. Mellish 1-3-91
FINISH -	APPD [Signature] 1/10/91
	APPD [Signature] 1/10/91
	PRODUCT SPEC
	APPLICATION SPEC
	WEIGHT -

AMP Incorporated Harrisburg, PA 17105-3608		
NAME		
SCREW RETAINER CLIP, AMPLIMITE™		
SIZE	CAGE CODE	DRAWING NO
B	00779	748274
SCALE	SHEET	
10:1	1 OF 1	