

13 12 11 10 9 8 7 6 5 4 3 2 1

J

I

H

G

F

E

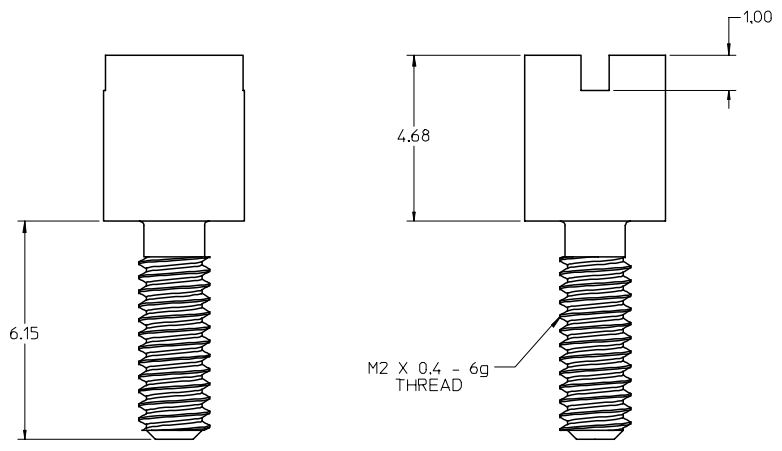
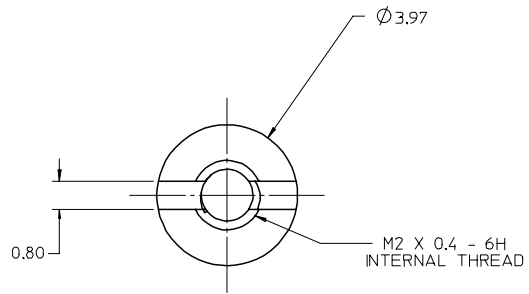
D

C

B

A

- NOTES:
 1. MATERIAL: HOT ROLLED STEEL.
 2. FINISH: BRIGHT NICKEL OVERALL.
 3. PACKAGING: 200 PARTS TO BE BULK PACKED IN BAGS.



INITIAL RELEASE EC NO: UCP2007-2550 DRAWN BY: MIBARRA 2007/05/15 CHKD: BBARKER 2007/05/17 APPR: SMILLER 2007/05/18 A1	QUALITY SYMBOLS ▽=0 ▽=0	GENERAL TOLERANCES (UNLESS SPECIFIED)		DIMENSION STYLE MM ONLY		SCALE 10:1	DESIGN UNITS METRIC	THIRD ANGLE PROJECTION			
		4 PLACES ± --- ± ---	3 PLACES ± --- ± ---	2 PLACES ± 0.13 ± ---	1 PLACE ± --- ± ---	ANGULAR ±1/2°	DRAWN BY MIBARRA	DATE 2007/04/09	TITLE VHDCI M2 X 0.4MM FEMALE ROUND SCREWLOCK		
				CHECKED BY BBARKER	DATE 2007/04/09	APPROVED BY SMILLER		DATE 2007/04/09	MOLEX INCORPORATED		
		DRAFT WHERE APPLICABLE MUST REMAIN WITHIN DIMENSIONS		MATERIAL NO. 71433-0010		DOCUMENT NO. SD-71433-010		SHEET NO. 1 OF 1			

12 11 10 9 8 7 6 5 4 3 2 1