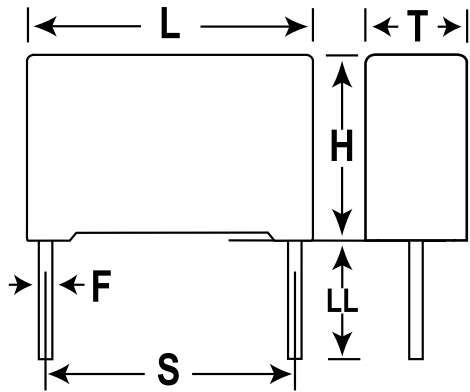


R46_275_MIN, Film, Metallized Polypropylene, Safety, 0.47 uF, 20%, 275 VAC (X2), 560 VDC, 110C, Lead Spacing = 15mm



Dimensions

| | |
|----|-----------------|
| L | 18mm +0.3mm |
| H | 17.5mm +0.1mm |
| T | 6mm +0.2mm |
| S | 15mm +/-0.4mm |
| LL | 30mm +5mm |
| F | 0.6mm +/-0.05mm |

Packaging Specifications

| | |
|----------------------------|-----------|
| Packaging: | Bulk, Bag |
| Packaging Quantity: | 700 |

General Information

| | |
|------------------------|--------------------------|
| Supplier: | KEMET |
| Series: | R46_275_MIN |
| Dielectric: | Metallized Polypropylene |
| Style: | Radial |
| Features: | EMI Safety |
| RoHS: | Yes |
| Lead: | Wire Leads |
| Qualifications: | ENEC, UL, cUL, CQC |

Specifications

| | |
|-------------------------------|---------------|
| Capacitance: | 0.47 uF |
| Capacitance Tolerance: | 20% |
| Voltage AC: | 275 VAC (X2) |
| Voltage DC: | 560 VDC |
| Temperature Range: | -40/+110C |
| Rated Temperature: | 110C |
| Dissipation Factor: | 0.10% 1kHz |
| Insulation Resistance: | 63.8298 GOhms |
| Max dV/dt: | 400 V/us |
| Safety Class: | X2 |