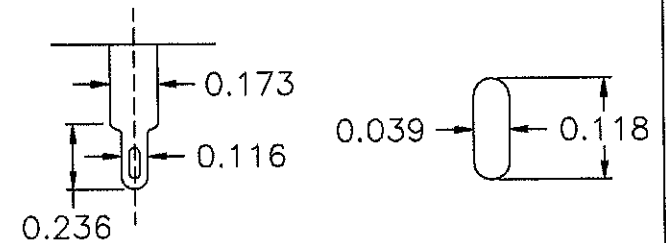
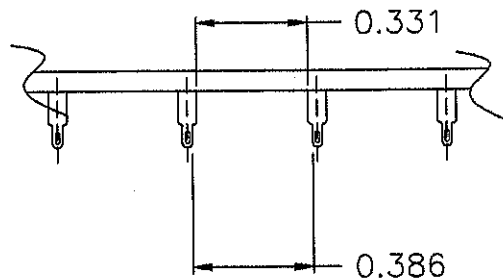
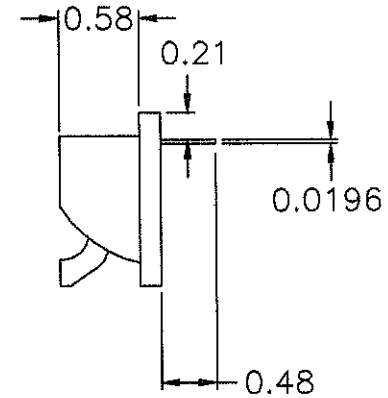
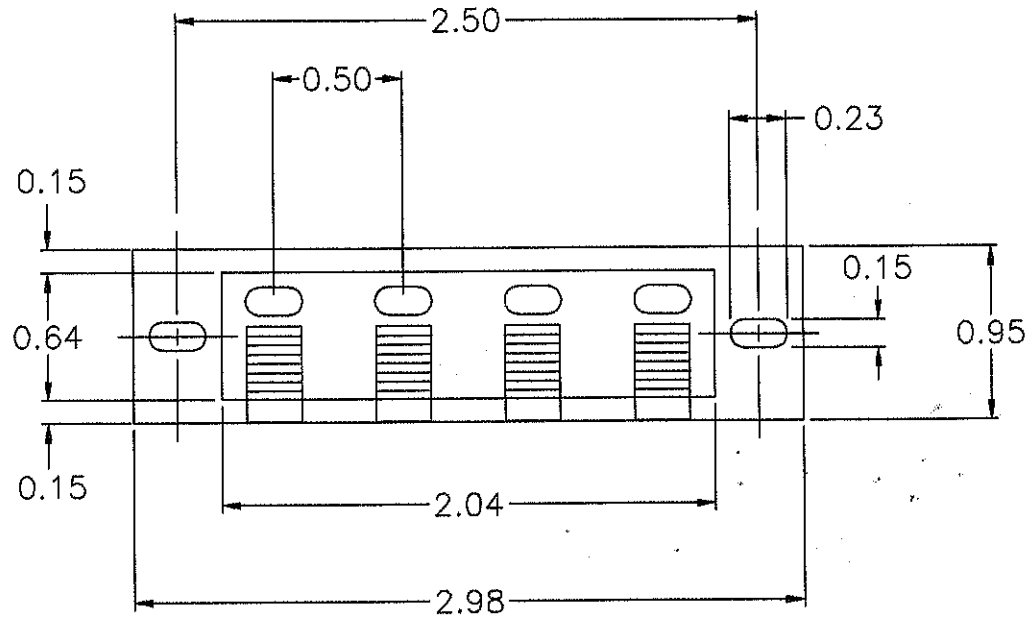


PART NO. 33-1404



NOTES:
BLACK THERMOPLASTIC HOUSING
SOLDER TERMINALS: 0.020 x 0.170
(0.045 x 0.125 HOLE)
NICKEL PLATED BRASS

UNLESS OTHERWISE SPECIFIED,
 DIMENSIONS ARE FOR REFERENCE
 PURPOSES ONLY.

DRAWINGS ARE THE PROPERTY OF
 GC ELECTRONICS. REPRODUCTION OR
 DISTRIBUTION OF THIS DRAWING MUST
 HAVE PRIOR WRITTEN CONSENT FROM
 GC ELECTRONICS.

TOLERANCE	NO.	CHANGE	DATE

GC Electronics

PART NAME 4 POS. PUSHBUTTON TERMINAL BLOCK
 MAT'L

DRAWN S.R.S. 1/04/05 PART NO. 33-1404
 CHECKED REV.