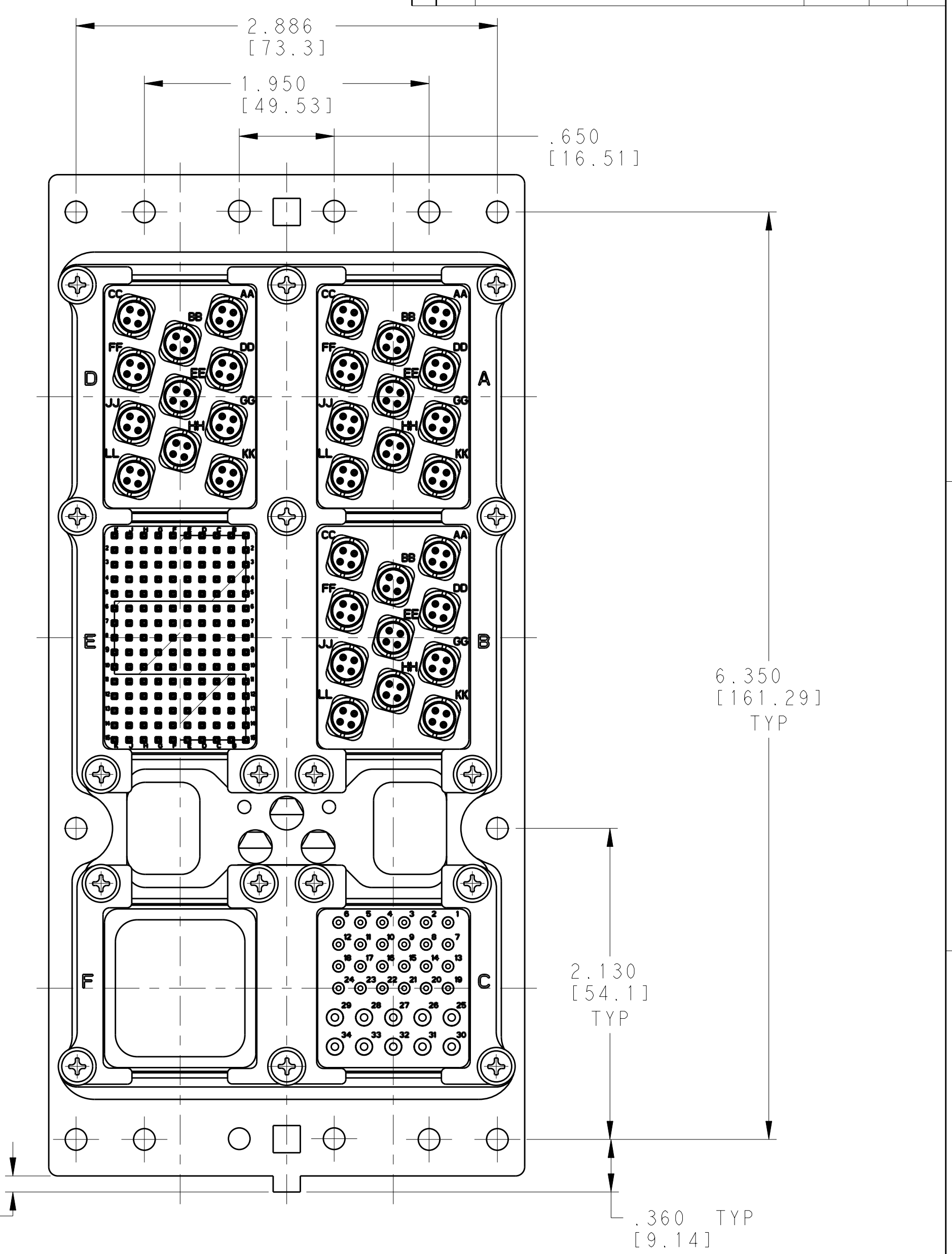
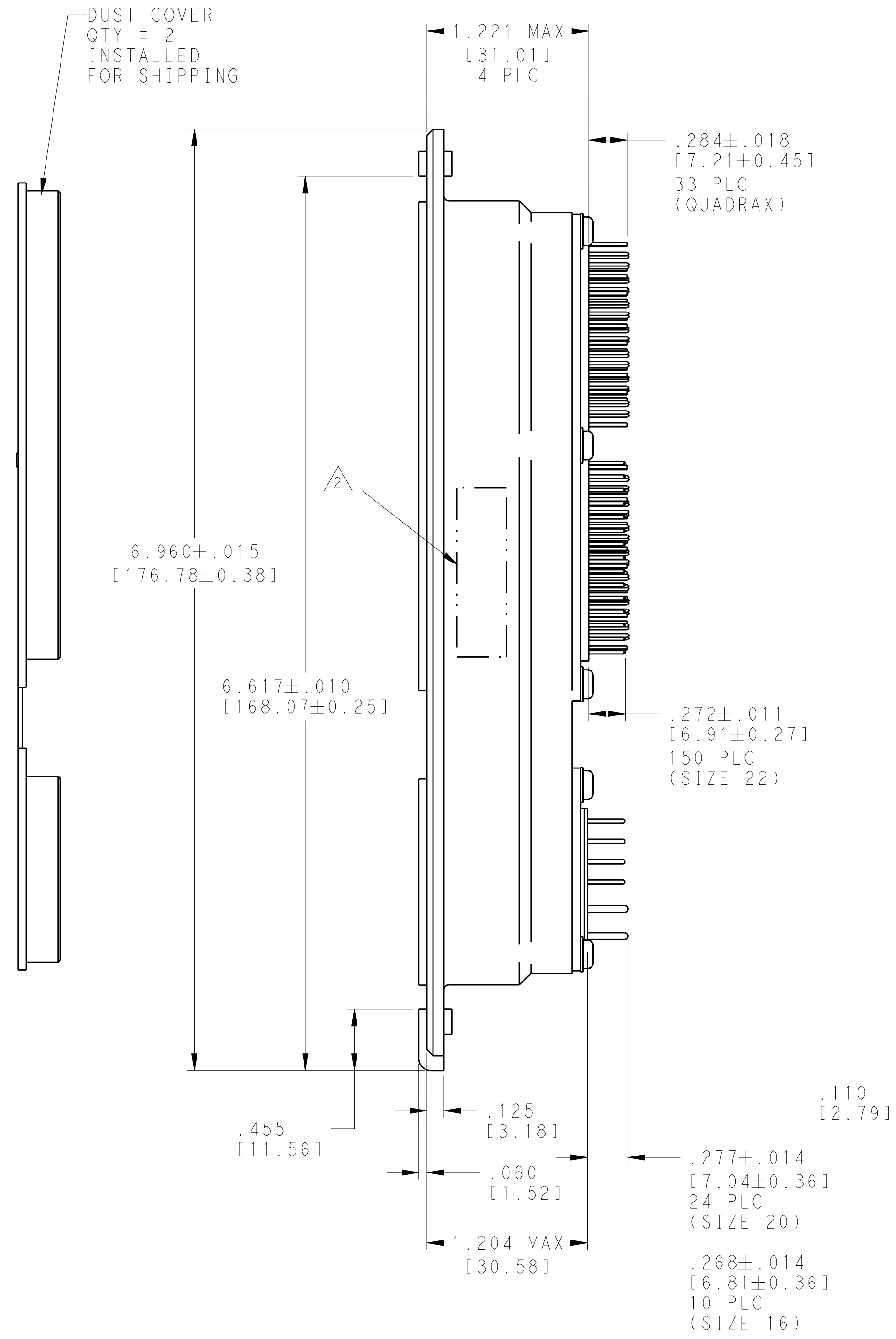
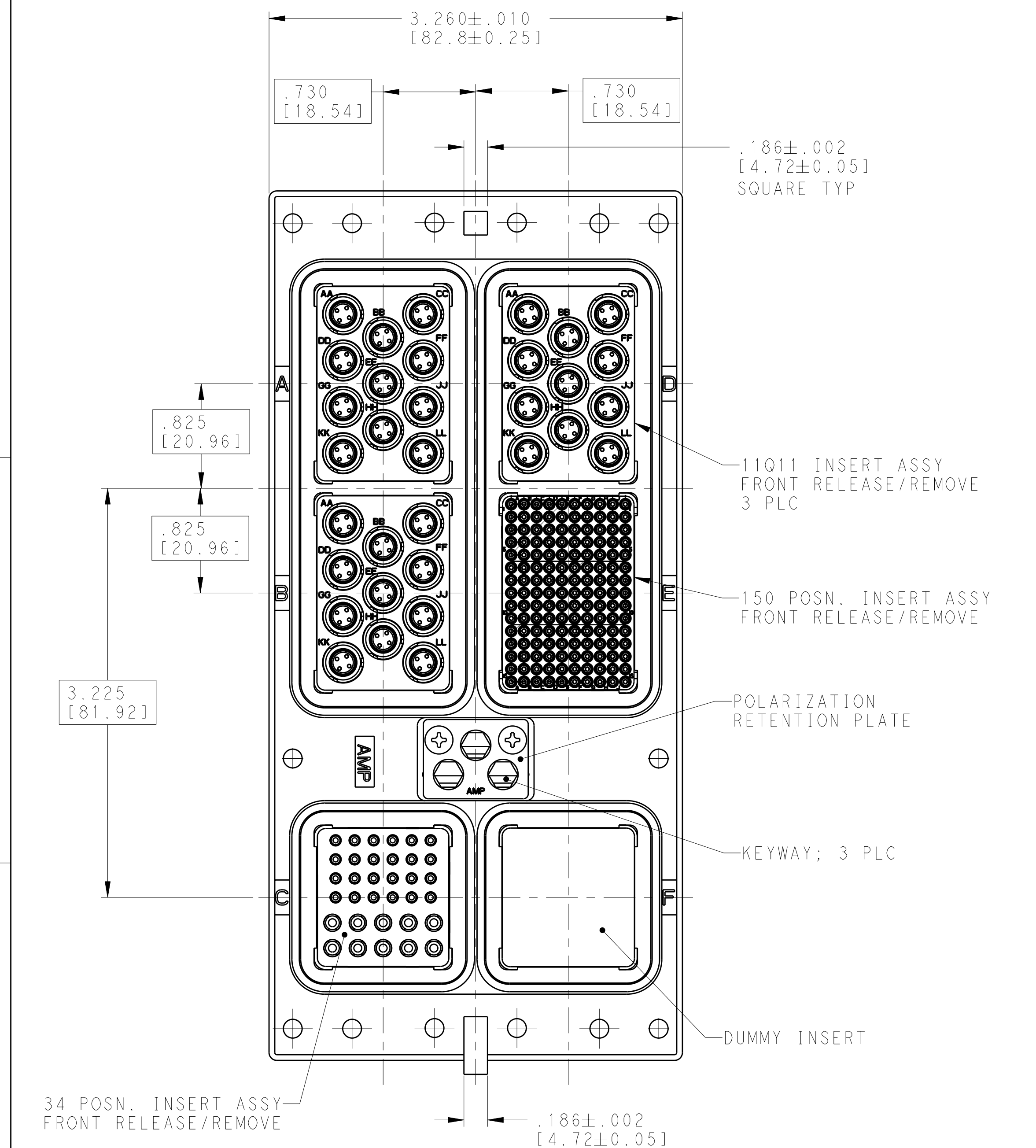


LOC	DIST	REV	DESCRIPTION	DATE	OWN	APVD
		E	REV PER ECO 11-024889	12-13-11	CT	WB



COMPONENT	MATERIAL	FINISH
DUMMY INSERT	ALUMINUM ALLOY PER ASTM B 209	ELECTROLESS NICKEL PER AMS-C-26074
11Q11 INSERT 3 PLC	ALUMINUM ALLOY PER QQ-A225/6	ELECTROLESS NICKEL PER AMS-C-26074
150 & 34 POSITION INSERTS	THERMOSET OR THERMOPLASTIC	NONE
POLARIZATION KEYWAY	ZINC ALLOY PER ASTM-B-86	--
KEYWAY RETAINER PLATE	ALUMINUM ALLOY	BLUE ANODIZED PER MIL-A-8625
INSERT RETAINER PLATE SCREWS & LOCKWASHERS	STEEL OR STAINLESS STEEL	CHROMATE OVER ZINC OR PASSIVATED
SHELL AND RETENTION PLATES	ALUMINUM ALLOY PER ASTM-B-85	ELECTROLESS NICKEL PER AMS-C-26074 CLASS 4, GRADE B

- ASSEMBLED CONNECTOR FEATURES COMPLY WITH ARINC 600 SPECIFICATION.
- MANUFACTURERS PART NO. AND DATE CODE (YY-WW) MARKED IN AREA SHOWN.
- KEYING INSTALLED IN POSITION "01". FOR POSITION "00" KEYING SHIPPED UNASSEMBLED.
- CONNECTOR IS SUPPLIED WITH A DUST COVER INSTALLED FOR SHIPPING. (2 PLC)
- THE FOLLOWING CONTACTS ARE INSTALLED:  
 CAVITY A: QUADRAX PCB CONTACTS; TE PART NO. 1445626-4; QTY = 11  
 CAVITY B: QUADRAX PCB CONTACTS; TE PART NO. 1445626-4; QTY = 11  
 CAVITY C: SIZE 20 POSTED PIN CONTACT; TE PART NO. 1-448138-2; QTY = 24  
 SIZE 16 POSTED PIN CONTACT; TE PART NO. 1-448139-4; QTY = 10  
 CAVITY D: QUADRAX PCB CONTACTS; TE PART NO. 1445626-4; QTY = 11  
 CAVITY E: SIZE 22 POSTED SOCKET CONTACT; TE PART NO. 211431-4; QTY = 150  
 CAVITY F: NONE

"01"	2157336-1
KEYING POSITION	PART NO.

THIS DRAWING IS A CONTROLLED DOCUMENT.

OWN: C.C. THOMAS 7-20-11  
 CHK: W. BERNHART 7-20-11  
 APVD: W. BERNHART 7-20-11

DIMENSIONS: INCHES (mm)

TOLERANCES UNLESS OTHERWISE SPECIFIED:  
 9 PLC ±.  
 1 PLC ±.  
 3 PLC ±.005 (0.13)  
 4 PLC ±.  
 ANGLES ±.

MATERIAL SEE CALLOUTS

FINISH SEE CALLOUTS

WEIGHT: -

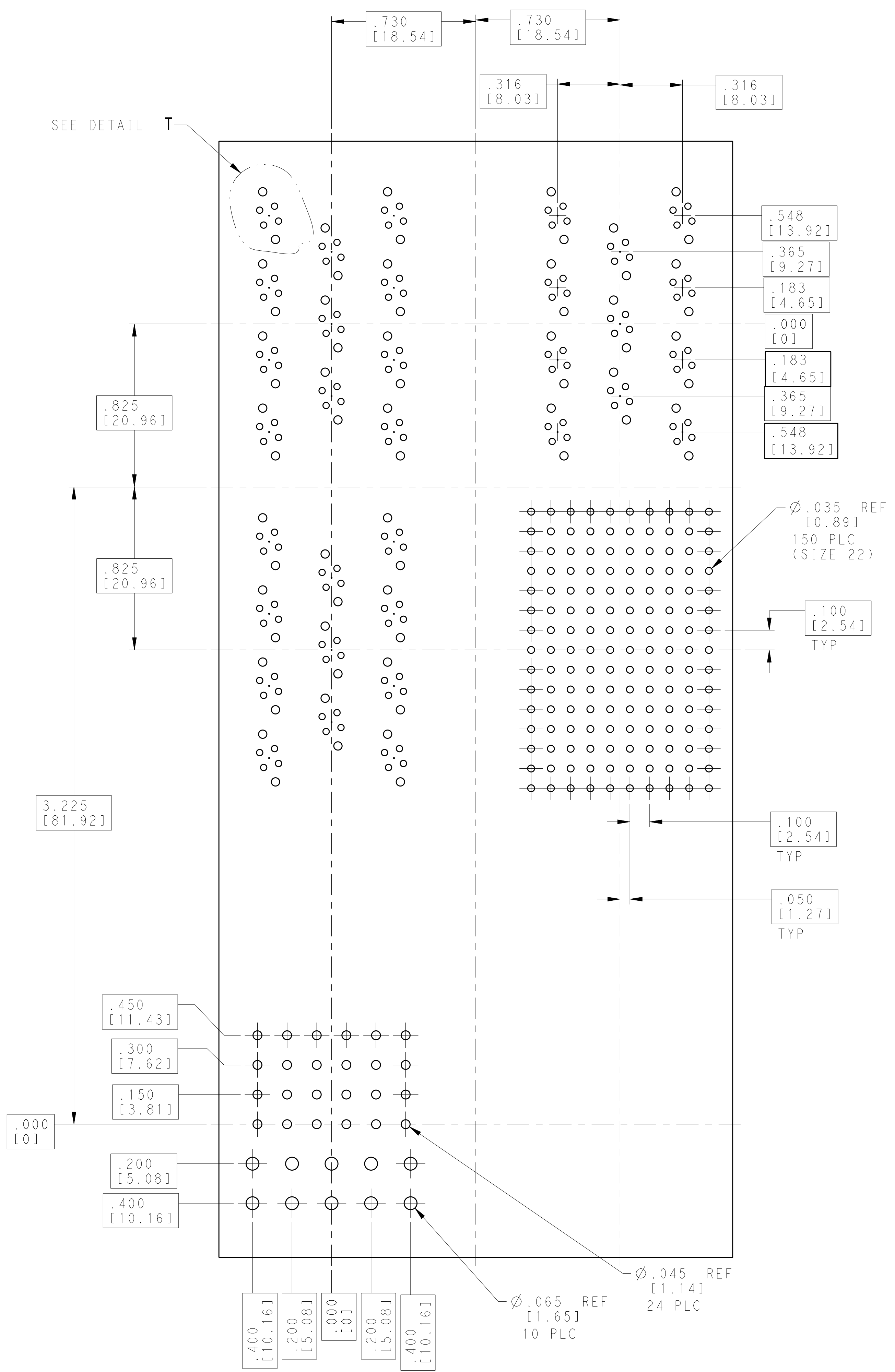
CUSTOMER DRAWING

SCALE: 3:2 SHEET 1 OF 2 REV E

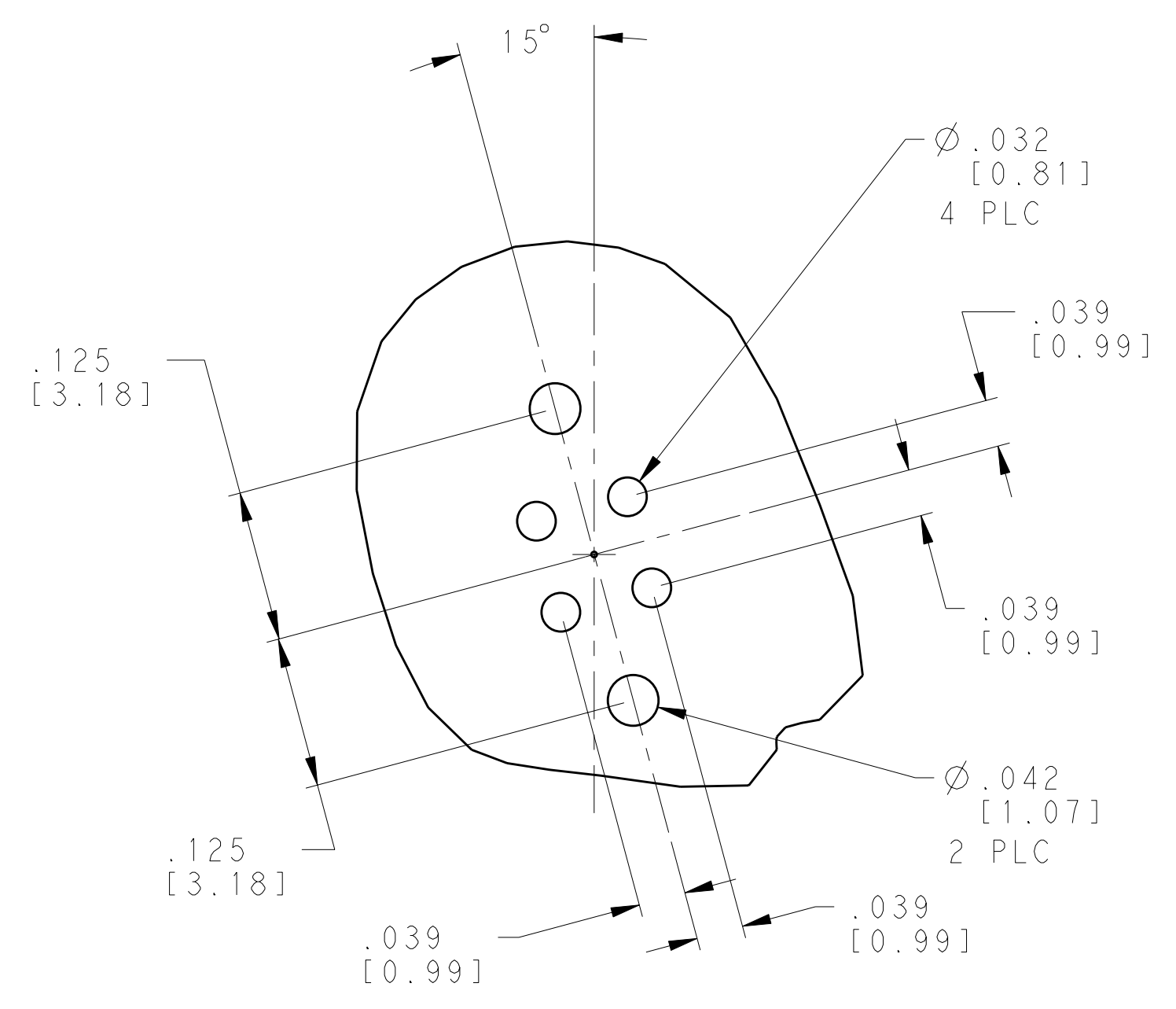
RECEPTACLE ASSEMBLY, SIZE 3, ARINC 600 (11Q11/11Q11/34/11Q11/150/DUMMY)

A100779C=2157336

LOC		DIST		REVISIONS			
				REV	DATE	BY	APPD
				1	SEE SHEET 1		



RECOMMENDED P.C. BOARD LAYOUT  
SCALE 3:1



DETAIL T  
SCALE 8:1  
33 PLC

THIS DRAWING IS A CONTROLLED DOCUMENT.		OWN C.C. THOMAS 7-20-11	TE Connectivity <b>RECEPTACLE ASSEMBLY, SIZE 3, ARINC 600</b> (11011/11011/34/11011/150/DUMMY)	
DIMENSIONS: INCHES(mm)		CHK W. BERNHART 7-20-11		
TOLERANCES UNLESS OTHERWISE SPECIFIED:		APVD W. BERNHART 7-20-11	NAME	
9 PLC ± 8 PLC ± 5 PLC ± 4 PLC ±.005 (0.13) ANGLES ±°		PRODUCT SPEC	APPLICATION SPEC	
MATERIAL SEE CALLOUTS		FINISH SEE CALLOUTS	WEIGHT	RESTRICTED TO
CUSTOMER DRAWING			SCALE 3:2	SHEET 2 OF 2
A100779		C=2157336	REV E	