

4

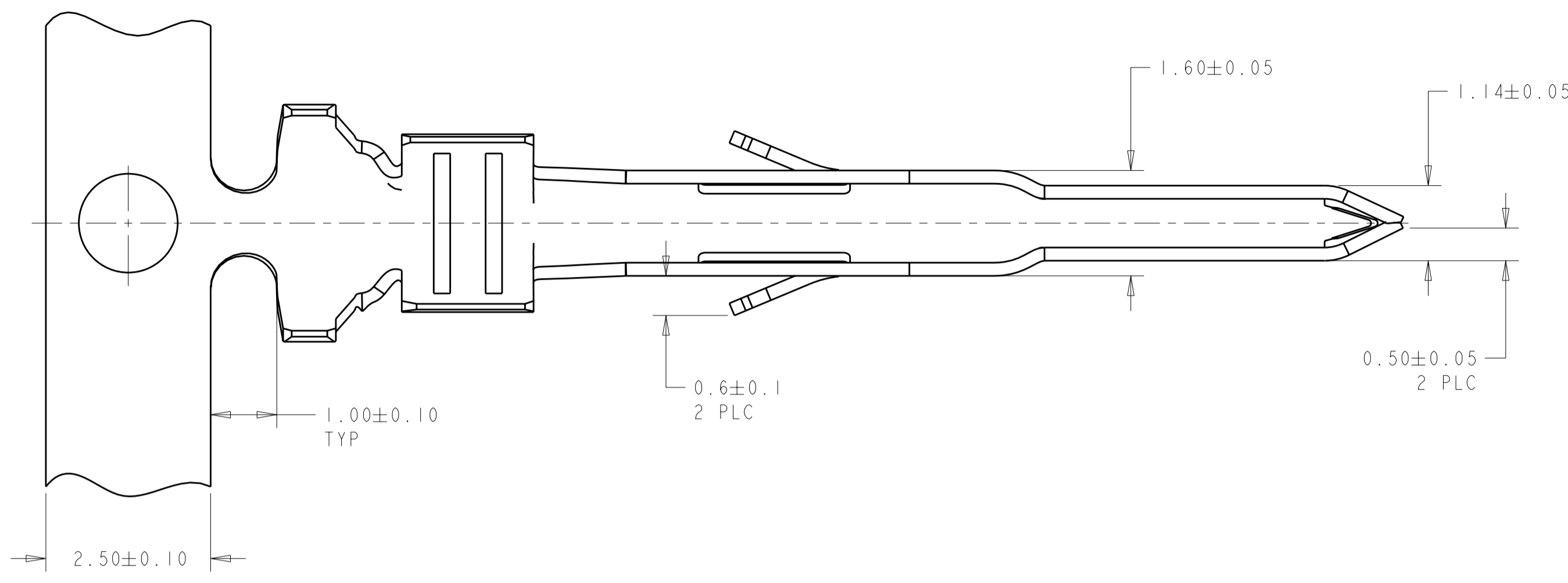
3

2

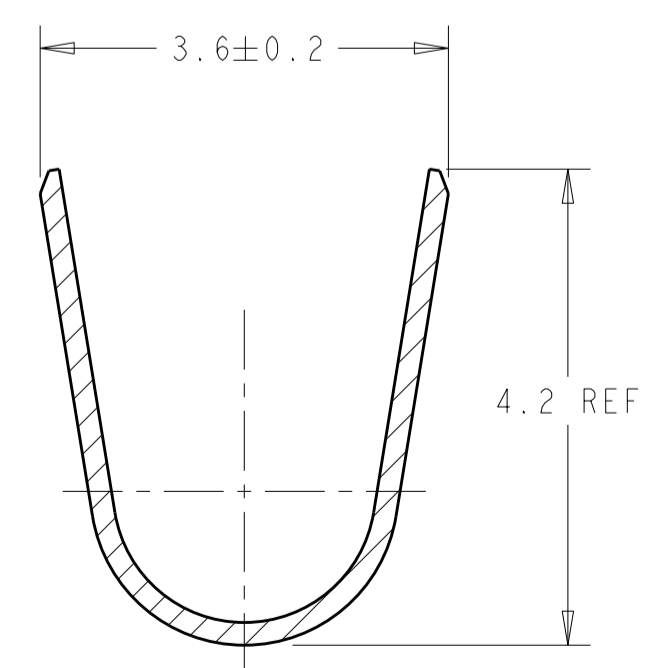
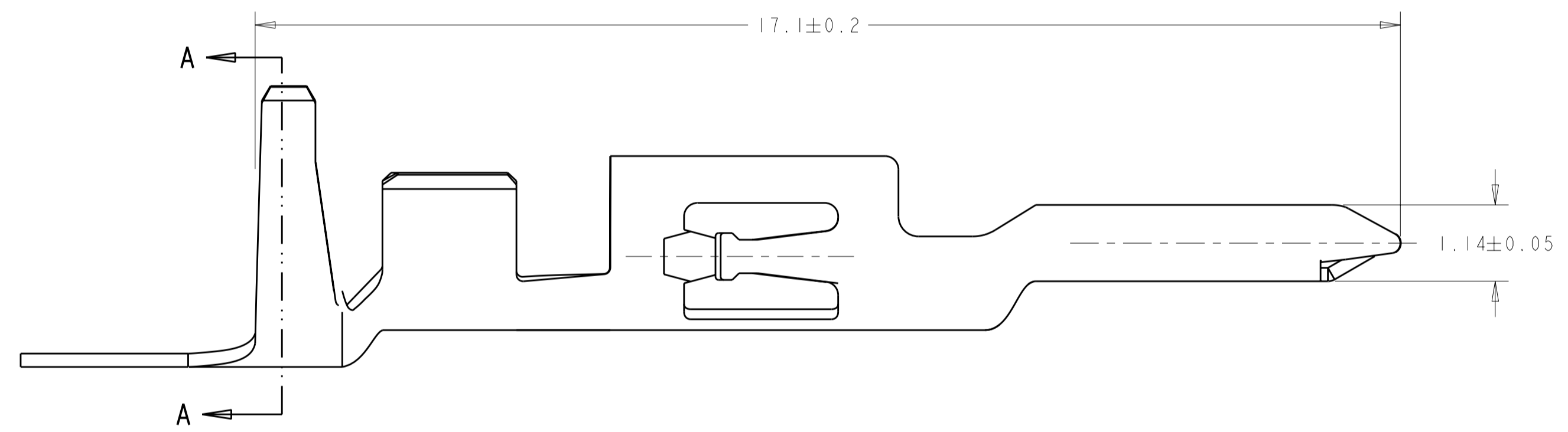
1

THIS DRAWING IS UNPUBLISHED. RELEASED FOR PUBLICATION 2006  
 © COPYRIGHT 2006 BY TYCO ELECTRONICS CORPORATION. ALL RIGHTS RESERVED.

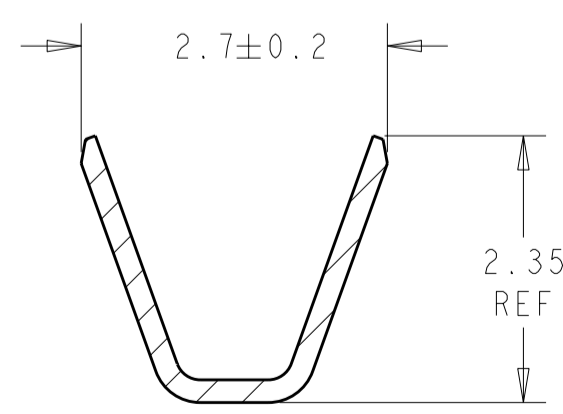
LOC	DIST	REVISIONS			
P	LTR	DESCRIPTION	DATE	DWN	APVD
AD	00	A	REVISED PER ECR-09-026352	09DEC2009	HMR KR



- WIRE RANGE: 0.82mm<sup>2</sup>-1.25mm<sup>2</sup> (18 - 18,22 AWG).
- INSULATION RANGE: 3.90 DIA MAX FOR 18,22 AWG AND 2.10±0.10mm DIA FOR 1 X 18 AWG.
- FINISH: TIN PLATE.
- FINISH: CONTACT LUBRICATION.
- FINISH: GOLD PLATE



SECTION A-A



SECTION B-B

5	HIGH CONDUCTIVITY COPPER	1934185-4
3 4	HIGH CONDUCTIVITY COPPER	1934185-1
FINISH	MATERIAL	PART NO

<small>THIS DRAWING IS A CONTROLLED DOCUMENT FOR TYCO ELECTRONICS CORPORATION. IT IS SUBJECT TO CHANGE AND THE CONTROLLING ENGINEERING ORGANIZATION SHOULD BE CONTACTED FOR THE LATEST REVISION.</small>		DWN S. J. MAGARO 14NOV2006	Tyco Electronics Harrisburg, PA 17105-3608	
DIMENSIONS: mm 		CHK C. RITTER 14NOV2006	NAME CONTACT, MALE AMP-DUAC UPC	
TOLERANCES UNLESS OTHERWISE SPECIFIED: 0 PLC ± 1 PLC ± 2 PLC ± 3 PLC ± 4 PLC ± ANGLES ± FINISH ±		APVD -	PRODUCT SPEC 108-2248	RESTRICTED TO -
MATERIAL -		APPLICATION SPEC 114-13195	WEIGHT -	SCALE 15:1
CUSTOMER DRAWING		SIZE A2	CAGE CODE 00779	DRAWING NO 1934185
		SHEET 1	OF 1	REV A