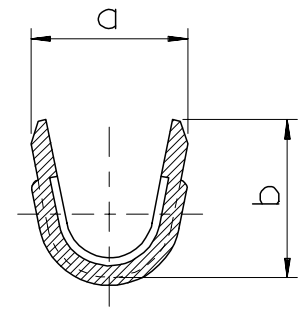


NOTES

- 1. MATERIAL : BRASS , 0.5mm THICKNESS
- 2. PART NO.

PART NO.	a	b	FINISH	△B	△B
				WIRE RANGE	QUANTITY
35760-7100	3.3	3.3	UNPLATED	0.5~1.5mm ²	6,000/REEL
35760-7110			POST PLATED TIN		
35760-7140			TIN-LEAD		
LEAD FREE 35760-7160	4.2	4.2	POST PLATED TIN	1.5~2.5mm ²	5,000/REEL
35760-7200			UNPLATED		
35760-7210			POST PLATED TIN		
35760-7240			TIN-LEAD		
LEAD FREE 35760-7260			POST PLATED TIN		



SEC' : A-A"

ADDITION OF OPTION EC NO. KOR2006-0064 DRWN: SY.PARK 05/12/16 CHK: BC.YOON 05/12/16 APPR: SH.CHOI 05/12/16	QUALITY SYMBOLS MAJOR = 0 CRITICAL = 0	GENERAL TOLERANCES: (UNLESS SPECIFIED)		SCALE 8:1	DESIGN UNITS <input checked="" type="checkbox"/> mm <input type="checkbox"/> INCH	THIRD ANGLE PROJECTION <input checked="" type="checkbox"/> mm <input type="checkbox"/> INCH	SHT	REV	
		4 PLACES	±0.	±.	DRAWN BY & DATE J.S.KANG 93/10/07	TITLE: WIRE SPLICE (S),(SM)			
		3 PLACES	±0.	±.	CHECKED BY & DATE B.K.CHOI 93/10/07	MOLEX INCORPORATED KOREA			
		2 PLACES	±0.20	±.	APPROVED BY & DATE C.W.LEE 93/10/07	CAD FILENAME S7607100.DGN	MATERIAL NO. SEE TABLE	DRAWING NO. SD-35760-002	SHEET NO. 10F1
1 PLACE	±0.30	±.	ANGULAR: ± °	THIS DRAWING CONTAINS INFORMATION THAT IS PROPRIETARY TO MOLEX INCORPORATED AND SHOULD NOT BE USED WITHOUT WRITTEN PERMISSION.				SIZE B	
DRAFT WHERE APPLICABLE MUST REMAIN WITHIN DIMENSIONS		MX-A3							

DO NOT SCALE DRAWING
DIMENSION IN METRIC

LEAD FREE

TRADE MARK
SEE TABLE

DWG. IO.
SD 35760-002

SIMILAR ITEM

PROJECT NO.

c

b

DO NOT SCALE DRAWING
DIMENSION IN METRIC

LEAD FREE

TRADE MARK
SEE TABLE

DWG. IO.
SD 35760-002

SIMILAR ITEM

PROJECT NO.

c

b

DO NOT SCALE DRAWING
DIMENSION IN METRIC

LEAD FREE

TRADE MARK
SEE TABLE

DWG. IO.
SD 35760-002

SIMILAR ITEM

PROJECT NO.

c

b

DO NOT SCALE DRAWING
DIMENSION IN METRIC

LEAD FREE

TRADE MARK
SEE TABLE

DWG. IO.
SD 35760-002

SIMILAR ITEM

PROJECT NO.

c

b

DO NOT SCALE DRAWING
DIMENSION IN METRIC

LEAD FREE

TRADE MARK
SEE TABLE

DWG. IO.
SD 35760-002

SIMILAR ITEM

PROJECT NO.

c

b

DO NOT SCALE DRAWING
DIMENSION IN METRIC

LEAD FREE

TRADE MARK
SEE TABLE

DWG. IO.
SD 35760-002

SIMILAR ITEM

PROJECT NO.

c

b

DO NOT SCALE DRAWING
DIMENSION IN METRIC

LEAD FREE

TRADE MARK
SEE TABLE

DWG. IO.
SD 35760-002

SIMILAR ITEM

PROJECT NO.

c

b

DO NOT SCALE DRAWING
DIMENSION IN METRIC

LEAD FREE

TRADE MARK
SEE TABLE

DWG. IO.
SD 35760-002

SIMILAR ITEM

PROJECT NO.

c

b

DO NOT SCALE DRAWING
DIMENSION IN METRIC

LEAD FREE

TRADE MARK
SEE TABLE

DWG. IO.
SD 35760-002

SIMILAR ITEM

PROJECT NO.

c

b

DO NOT SCALE DRAWING
DIMENSION IN METRIC

LEAD FREE

TRADE MARK
SEE TABLE

DWG. IO.
SD 35760-002

SIMILAR ITEM

PROJECT NO.

c

b

DO NOT SCALE DRAWING
DIMENSION IN METRIC

LEAD FREE

TRADE MARK
SEE TABLE

DWG. IO.
SD 35760-002

SIMILAR ITEM

PROJECT NO.

c

b

DO NOT SCALE DRAWING
DIMENSION IN METRIC

LEAD FREE

TRADE MARK
SEE TABLE

DWG. IO.
SD 35760-002

SIMILAR ITEM

PROJECT NO.

c

b

DO NOT SCALE DRAWING
DIMENSION IN METRIC

LEAD FREE

TRADE MARK
SEE TABLE

DWG. IO.
SD 35760-002

SIMILAR ITEM

PROJECT NO.

c

b

DO NOT SCALE DRAWING
DIMENSION IN METRIC

LEAD FREE

TRADE MARK
SEE TABLE

DWG. IO.
SD 35760-002

SIMILAR ITEM

PROJECT NO.

c

b

DO NOT SCALE DRAWING
DIMENSION IN METRIC

LEAD FREE

TRADE MARK
SEE TABLE

DWG. IO.
SD 35760-002

SIMILAR ITEM

PROJECT NO.

c

b

DO NOT SCALE DRAWING
DIMENSION IN METRIC

LEAD FREE

TRADE MARK
SEE TABLE

DWG. IO.
SD 35760-002

SIMILAR ITEM

PROJECT NO.

c

b

DO NOT SCALE DRAWING
DIMENSION IN METRIC

LEAD FREE

TRADE MARK
SEE TABLE

DWG. IO.
SD 35760-002

SIMILAR ITEM

PROJECT NO.

c

b

DO NOT SCALE DRAWING
DIMENSION IN METRIC

LEAD FREE

TRADE MARK
SEE TABLE

DWG. IO.
SD 35760-002

SIMILAR ITEM

PROJECT NO.

c

b

DO NOT SCALE DRAWING
DIMENSION IN METRIC

LEAD FREE

TRADE MARK
SEE TABLE

DWG. IO.
SD 35760-002

SIMILAR ITEM

PROJECT NO.

c

b

DO NOT SCALE DRAWING
DIMENSION IN METRIC

LEAD FREE

TRADE MARK
SEE TABLE

DWG. IO.
SD 35760-002

SIMILAR ITEM

PROJECT NO.

c

b

DO NOT SCALE DRAWING
DIMENSION IN METRIC

LEAD FREE

TRADE MARK
SEE TABLE

DWG. IO.
SD 35760-002

SIMILAR ITEM

PROJECT NO.

c

b

DO NOT SCALE DRAWING
DIMENSION IN METRIC

LEAD FREE

TRADE MARK
SEE TABLE

DWG. IO.
SD 35760-002

SIMILAR ITEM

PROJECT NO.

c

b

DO NOT SCALE DRAWING
DIMENSION IN METRIC

LEAD FREE

TRADE MARK
SEE TABLE

DWG. IO.
SD 35760-002

SIMILAR ITEM

PROJECT NO.

c

b

DO NOT SCALE DRAWING
DIMENSION IN METRIC

LEAD FREE

TRADE MARK
SEE TABLE

DWG. IO.
SD 35760-002

SIMILAR ITEM

PROJECT NO.

c

b

DO NOT SCALE DRAWING
DIMENSION IN METRIC

LEAD FREE

TRADE MARK
SEE TABLE

DWG. IO.
SD 35760-002

SIMILAR ITEM

PROJECT NO.

c

b

DO NOT SCALE DRAWING
DIMENSION IN METRIC

LEAD FREE

TRADE MARK
SEE TABLE

DWG. IO.
SD 35760-002

SIMILAR ITEM

PROJECT NO.

c

b

DO NOT SCALE DRAWING
DIMENSION IN METRIC

LEAD FREE

TRADE MARK
SEE TABLE

DWG. IO.
SD 35760-002

SIMILAR ITEM

PROJECT NO.

c

b

DO NOT SCALE DRAWING
DIMENSION IN METRIC

LEAD FREE

TRADE MARK
SEE TABLE

DWG. IO.
SD 35760-002

SIMILAR ITEM

PROJECT NO.

c

b

DO NOT SCALE DRAWING
DIMENSION IN METRIC

LEAD FREE

TRADE MARK
SEE TABLE

DWG. IO.
SD 35760-002

SIMILAR ITEM

PROJECT NO.

c

b

DO NOT SCALE DRAWING
DIMENSION IN METRIC

LEAD FREE

TRADE MARK
SEE TABLE

DWG. IO.
SD 35760-002

SIMILAR ITEM

PROJECT NO.

c

b

DO NOT SCALE DRAWING
DIMENSION IN METRIC

LEAD FREE

TRADE MARK
SEE TABLE

DWG. IO.
SD 35760-002

SIMILAR ITEM

PROJECT NO.

c

b

DO NOT SCALE DRAWING
DIMENSION IN METRIC

LEAD FREE

TRADE MARK
SEE TABLE

DWG. IO.
SD 35760-002

SIMILAR ITEM

PROJECT NO.

c

b

DO NOT SCALE DRAWING
DIMENSION IN METRIC

LEAD FREE

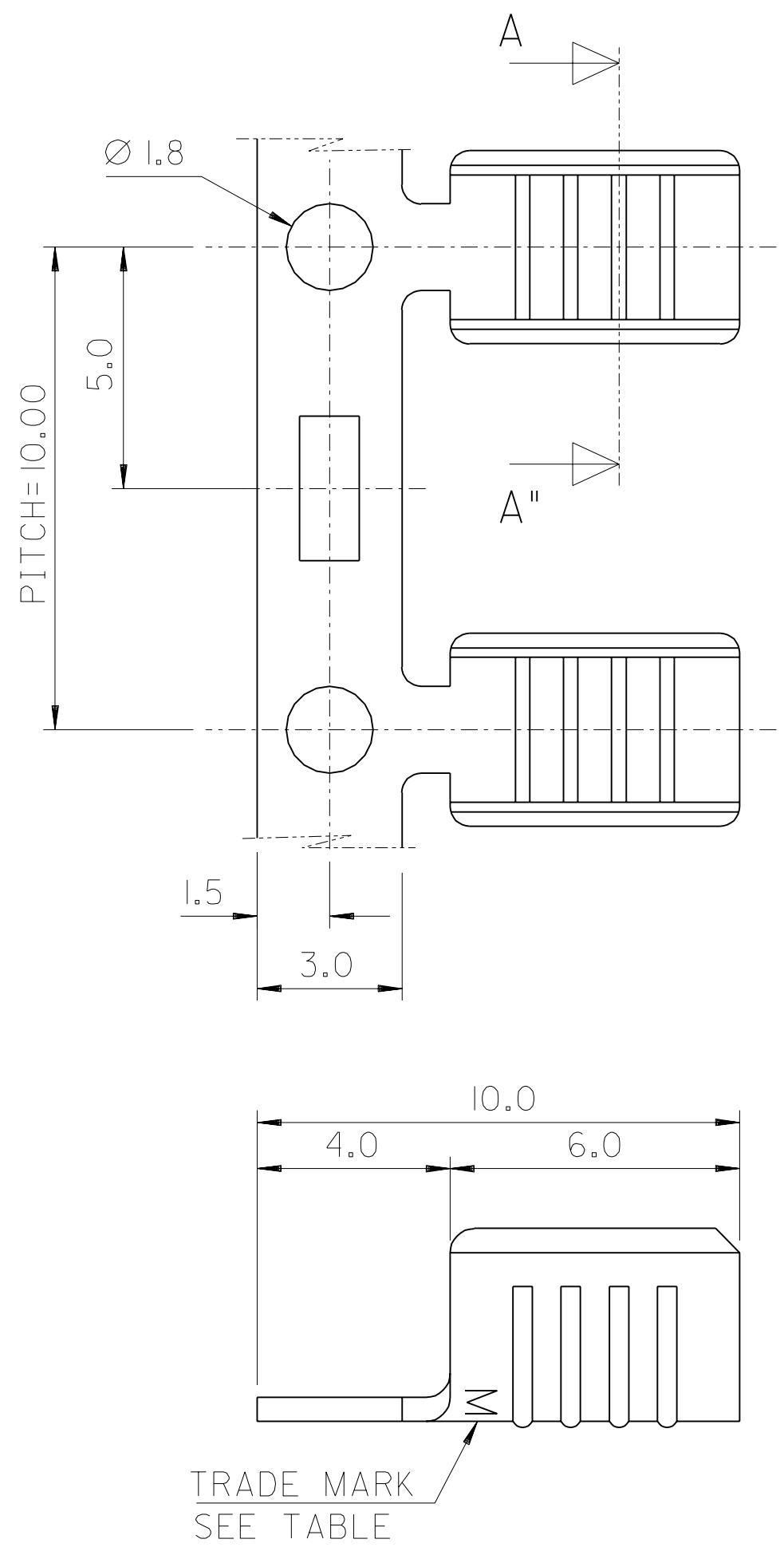
TRADE MARK
SEE TABLE

DWG. IO.
SD 35760-002

SIMILAR ITEM

PROJECT NO.

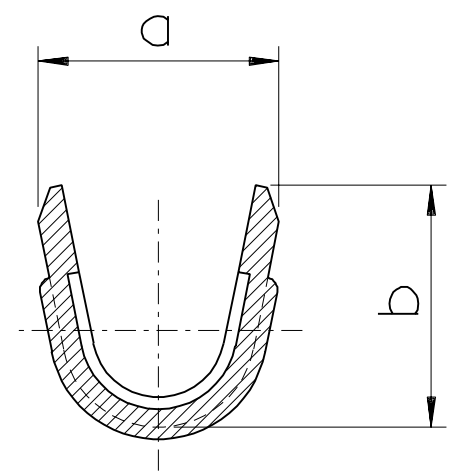
DWG. NO. SD 35760-7**0
 SIMILAR ITEM
 PROJECT NO.
 DO NOT SCALE DRAWING DIMENSION IN METRIC



NOTES

1. MATERIAL : BRASS , 0.5mm THICKNESS
2. PART NO.

PART NO.	DIM'S		FINISH	WIRE SIZE	MAT'L THICK'	TRADE MARK
	a	b				
35760-7100	3.3	3.3	UNPLATED	AWG #20-#16	0.5mm	MK2
35760-7110			POST PLATED TIN			
35760-7140			TIN-LEAD			
35760-7200	4.2	4.2	UNPLATED	AWG #16-#12	0.5mm	MK2
35760-7210			POST PLATED TIN			
35760-7240			TIN-LEAD			
35760-7205	4.2	4.2	POST PLATED TIN		0.4mm	MK24



SEC' : A-A''

REVISED	EC NO. DRWN: W.Y. YANG 01/11/15 CHK: APPR:	DESCRIPTION	QUALITY SYMBOLS	GENERAL TOLERANCES: (UNLESS SPECIFIED)		SCALE 8:1	DESIGN UNITS <input checked="" type="checkbox"/> mm <input type="checkbox"/> INCH	THIRD ANGLE PROJECTION	DIMENSIONS: <input type="checkbox"/> mm <input type="checkbox"/> INCH <input checked="" type="checkbox"/> mm ONLY	SHT	REV
			MAJOR = 0	mm	INCH	DRAWN BY & DATE J.S.KANG 93/10/07	TITLE: WIRE SPLICE (S),(SM)				
			CRITICAL = 0	4 PLACES ±0.	±.		CHECKED BY & DATE B.K.CHOI 93/10/07	MOLEX INCORPORATED KOREA			
				3 PLACES ±0.	±.		APPROVED BY & DATE C.W.LEE 93/10/07				
				2 PLACES ±0.20	±.		CAD FILENAME S7607100.DGN	MATERIAL NO. SEE TABLE	DRAWING NO. SD-35760-7**0	SHEET NO. 10F1	
				1 PLACE ±0.30	±.		THIS DRAWING CONTAINS INFORMATION THAT IS PROPRIETARY TO MOLEX INCORPORATED AND SHOULD NOT BE USED WITHOUT WRITTEN PERMISSION.				SIZE B
				ANGULAR: ± °		DRAFT WHERE APPLICABLE MUST REMAIN WITHIN DIMENSIONS					

TRADE MARK
SEE TABLE