

5

4

3

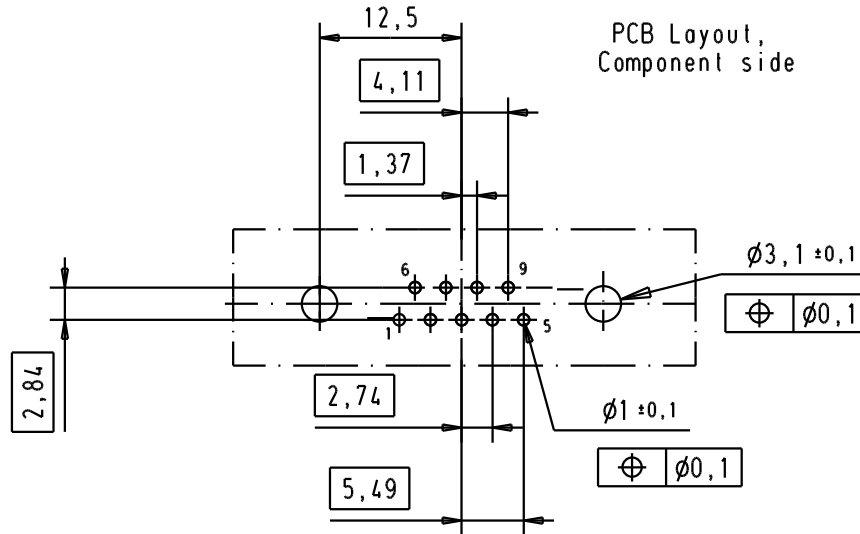
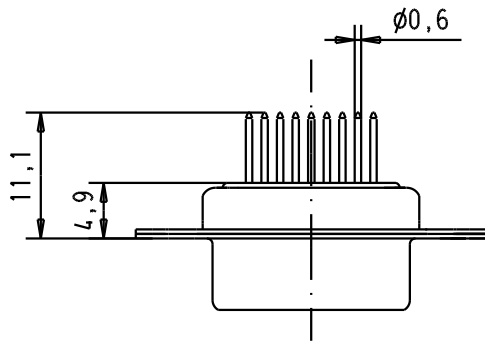
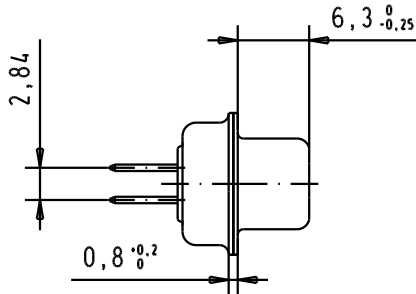
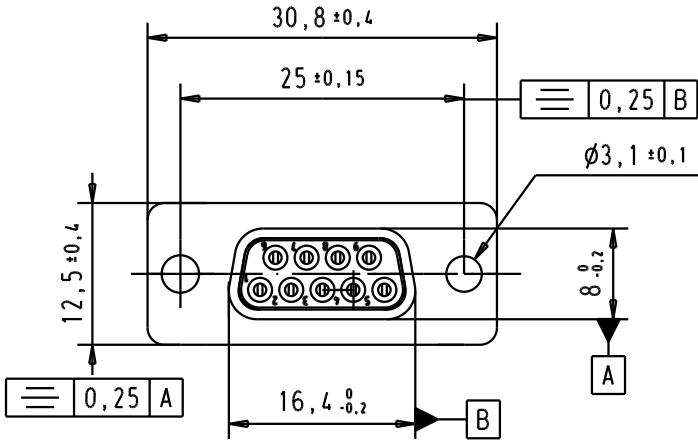
2

1



SPECIFICATION

Mating Cycles	500
Filter type	C
Capacitance	470pf±20%
Working Voltage	100v
Current Rating	7.5A
Insulation Resistance	>1GΩ

FREQUENCY (MHz)	ATTENUATION (dB)
5	-
10	1dB
50	10dB
100	15dB
500	35dB
1000	32dB



PCB Layout, Component side

						 D-Sub, female, straight 9 Poles, with turned solder pin, fixing hole	Me?Ms Lab/ Scale 1.5:1	
			Detail.	8- JUL -02	CV			All Dim. in mm Orig. Size DIN A 4
			Insp.					
			Stand.					
32802	11/07/05	JMDR	HARTING EURL F-95972 Paris				TB 09641127220	Blatt/ Page 1 / 1
31058	8- JUL -02	CV						
Mod.	Dat.	Name						

D

C

B

A