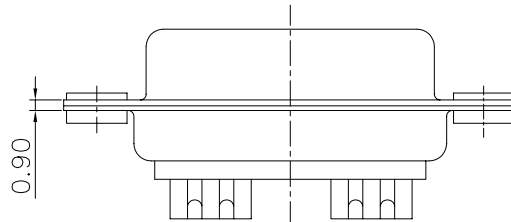
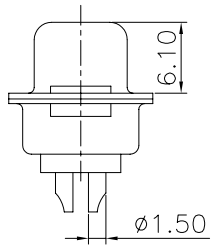
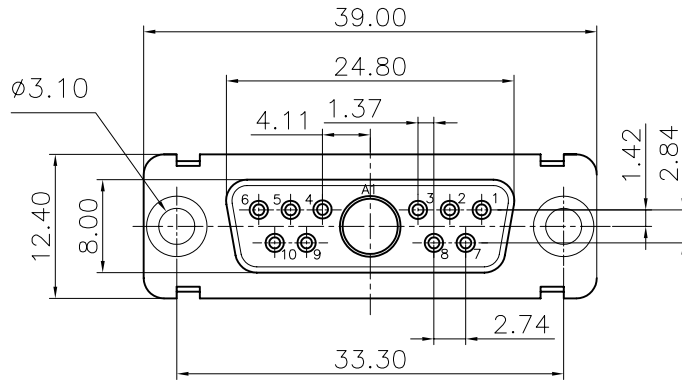


This document is the property of Amphenol Corporation and is delivered on the express condition that it is not to be disclosed, reproduced or used, in whole or in part, for manufacture or sale by anyone other than Amphenol Corporation without its prior consent, & that no right is granted to disclose or to use any information in this document.



Customer drawing

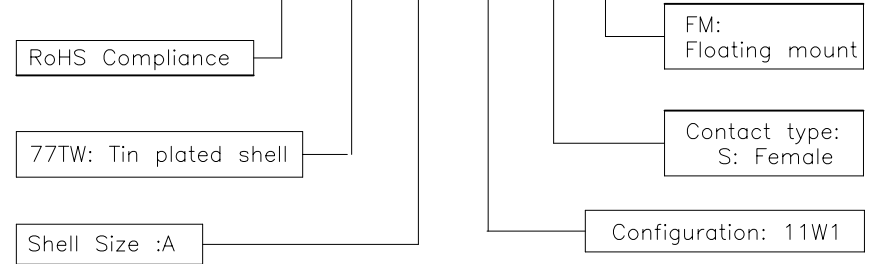
REVISIONS				
SYM	ECN	DESCRIPTION	DATE	APPROVED
1		New release	08/25/09	IP

**D-SUB TECHNICAL DATA**

SHELL : Steel, 100u" min tin over 50u" min nickel and copper  
 BODY : Glass filled thermoplastic.  
 Flame retardant to UL94 V-0 Color Black  
 CONTACTS : Clip: Copper alloy  
 Plating: 0.375um(15u") min gold over 1.25um(50u") min nickel  
 Body: Brass  
 Plating: 2.5um(100u") min gold over 1.25um(50u") min nickel  
 NUT : Brass, 2.5um(100u") min gold over 1.25um(50u") min nickel  
 ELECTRICAL : Voltage rating: Signal contacts 300 V Rms to 50 Hz  
 Current rating: Signal contacts 7.5A  
 Withstanding Voltage >1000 V Rms to 50 Hz for one minute  
 Insulation resistance >5000 M Ohms  
 Contact resistance: Signal contacts 20 mOhms max  
 CLIMATIC : Temperature range -55 °C up to 155°C  
 Damp heat 56 days(40 °C-95% HR)  
 MARKING : Amphenol...(Series No.)  
 Commercial reference  
 Manufacturing date

**PRODUCT CODE**

L 77TW A 11W1 S FM



UNLESS OTHERWISE SPECIFIED TOLERANCES		APPROVAL	DATE
	U.S.	METRIC	
.X +/-	0.50		DRAWN Christina.cui 08/25/09
.XX +/-	0.30		CHECKED Mt.wang 08/25/09
.XXX +/-	0.20		CHECKED
FRACTIONS +/-		2'	
ANGLES +/-			
FOR MATERIALS AND FINISHES SEE NOTES		DRAWING FILE :	
REMOVE SHARP EDGES		ANGLE OF PROJECTION	
DIMENSIONS			
U.S.	INCHES	SIZE DRAWING NO.	
METRIC	MM	A4	C L77TWA11W1SFM

<b>Amphenol<sup>®</sup></b>	
TITLE Hybrid contacts, TW series	
SCALE NONE	SHEET 1 OF 1

REV. 1