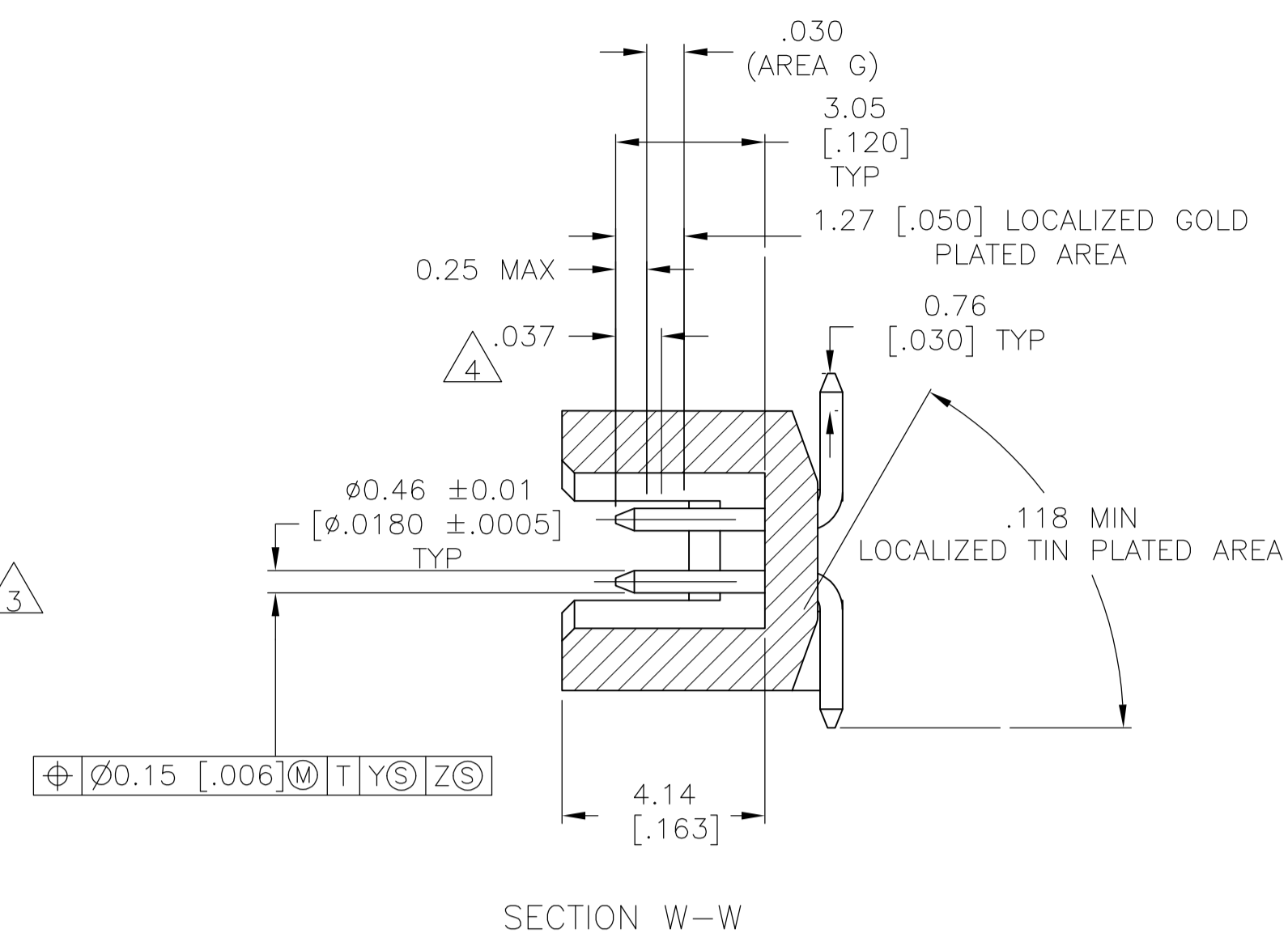
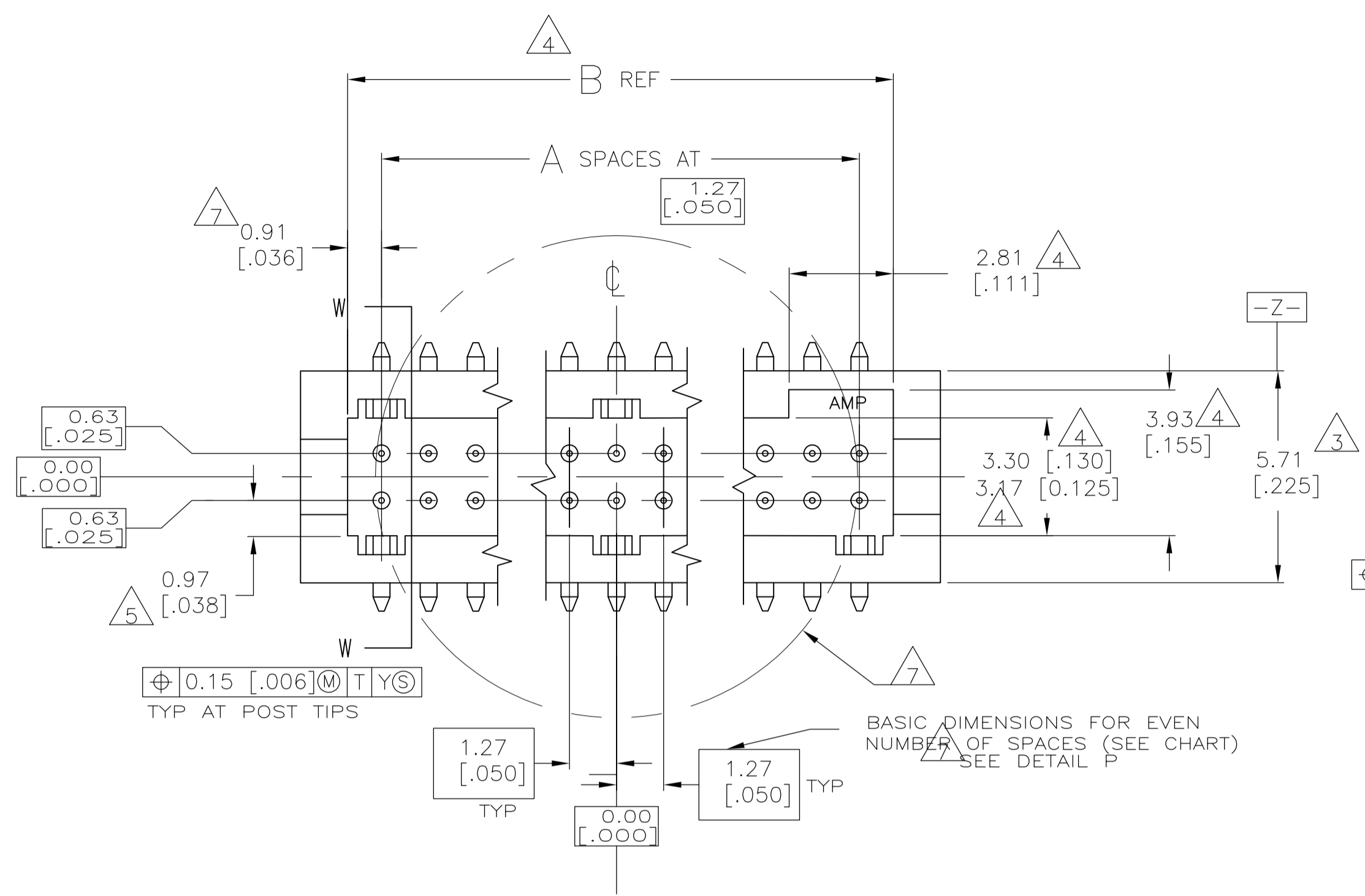
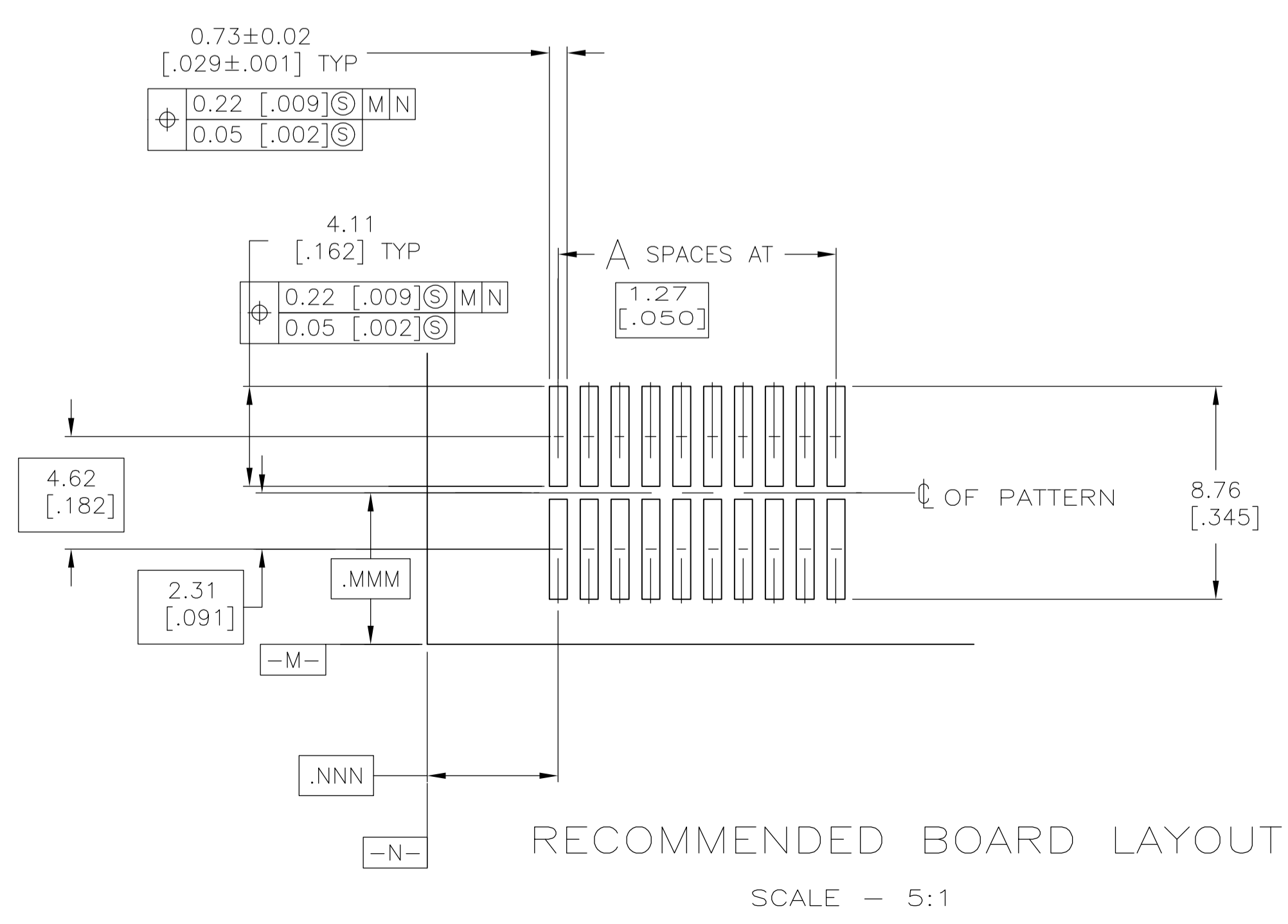
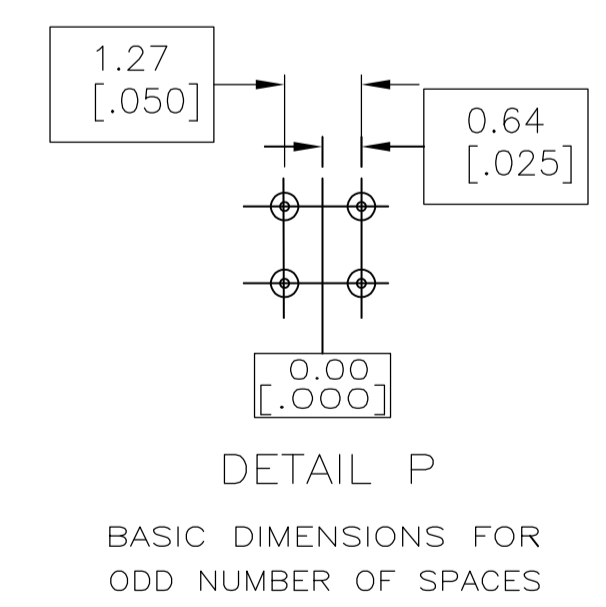
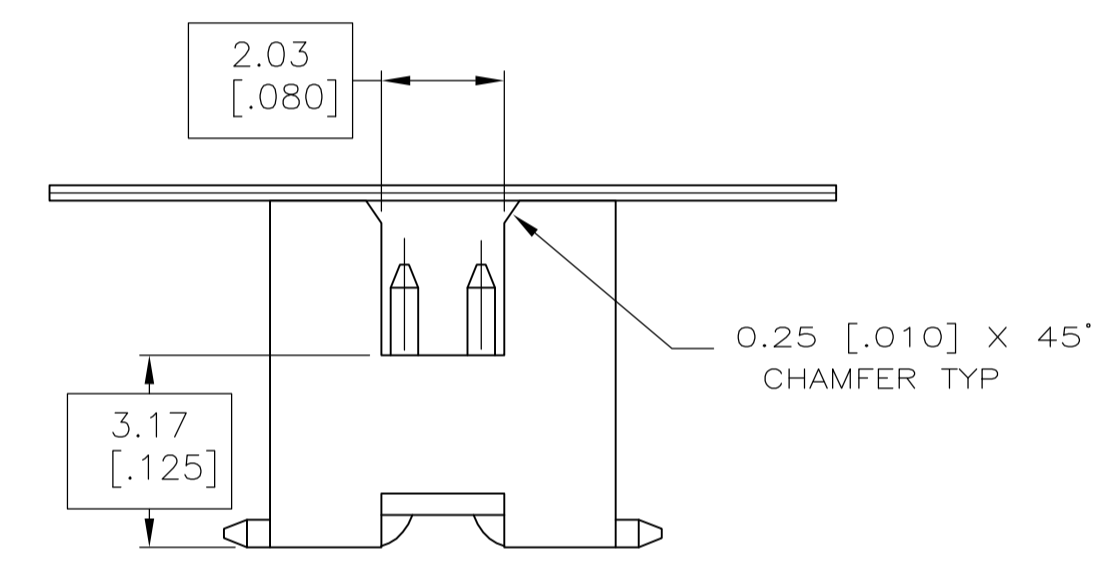
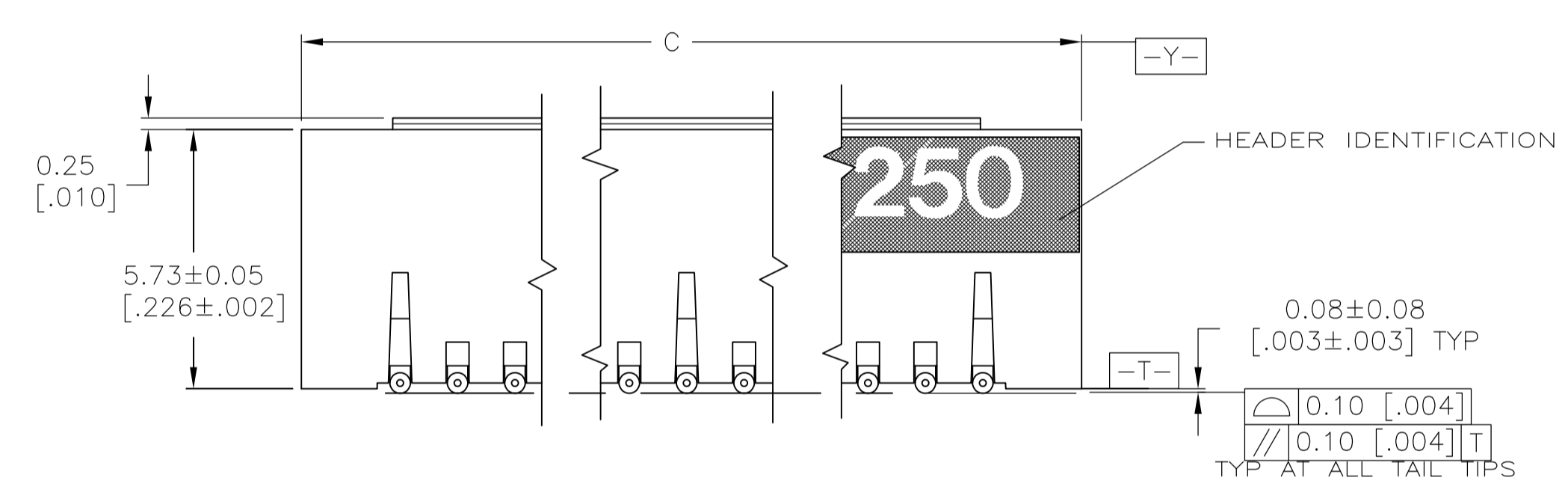


LOC		DIST		REVISIONS			
P	LTR	DESCRIPTION	DATE	DMN	APVO		
B	EC	063C 0722 04		BSV	BSV	DLS	
B1	REVISED PER	ECO-09-020932	03SEP09	KK	AEG		



- 1. 0.00076[.000030] GOLD AT POINT OF MEASUREMENT, 0.00051[.000020] MIN AT THE END POINTS OF AREA G, (LOCALIZED PLATE AREA), 0.0038[.000150] TIN-LEAD ON LOCALIZED TIN-LEAD PLATED AREA, ALL OVER 0.0013[.000050] NICKEL
- 2. DIMENSION APPLIES AT BASE OF SHROUD.
- 3. THE NOTED DIMENSIONS APPLY AT THE MATING FACE OF THE HOUSING.
- 4. POINT OF MEASUREMENT.
- 5. DIMENSIONS NOTED APPLY FROM THE BASIC DIMENSION LINE (NOT THE CIRCUIT CAVITY CENTER LINE) TO THE SURFACE INDICATED.
- 6. IF PLANNING TO USE MORE THAN ONE MATING PAIR OF CONNECTORS TO INTERCONNECT 2 BOARDS, PLEASE REFER TO PARA. 3.3 IN THE APPLICATION SPEC, #114-7010
- 7. KAPTON VACUUM PICK UP BUTTON (SHOWN IN PHANTOM TO SHOW CONNECTOR DETAIL). 13.0±.25[.512±.010] DIAMETER LOCATED Ø1.0 [.039] Z Y
- 8. PACKAGED IN EIA 481 TAPE AND REEL. SEE TABLE FOR TAPE WIDTHS.
- 9. 0.00076 (.000030) GOLD AT POINT OF MEASUREMENT, 0.00051 (.000020) MIN AT THE END POINTS OF AREA G, (LOCALIZED PLATE AREA), 0.00381 (.000150) TIN ON LOCALIZED TIN PLATED AREA, ALL OVER 0.00127 (.000050) NICKEL.
- 10. OBSOLETE PARTS: OBSOLETE CIS STREAMLINING PER D.RENAUD/D.SINISI



	TAPE WIDTH	C	B	A	NUMBER OF POSITIONS	PART NUMBER
10 OBSOLETE	32.0	9.45 [.372]	6.91 [.272]	4	10	5-147119-2
10 OBSOLETE	44.0	15.79 [.622]	13.25 [.522]	9	20	5-147119-4
10 OBSOLETE	32.0	9.45 [.372]	6.91 [.272]	4	10	147119-2
10 OBSOLETE	44.0	15.79 [.622]	13.25 [.522]	9	20	147119-4

THIS DRAWING IS A CONTROLLED DOCUMENT.

DIMENSIONS: mm [INCHES]	TOLERANCES UNLESS OTHERWISE SPECIFIED:	DIN B HAYMAKER 18NOV98	tyco Tyco Electronics Corporation Harrisburg, Pa 17105-3608
0. PLC ± -	1. PLC ± -	CIK D SIMPSON 18NOV98	NAME
2. PLC ± -	3. PLC ± -	APVO D SIMPSON 18NOV98	PRODUCT SPEC
4. PLC ± -	ANGLES ± -		APPLICATION SPEC
MATERIAL	FINISH	WEIGHT	SIZE CASE CODE DRAWING NO RESTRICTED TO
			A1 00779 C=147119
CUSTOMER DRAWING		SCALE 8:1	SHEET 1 OF 1 REV B1