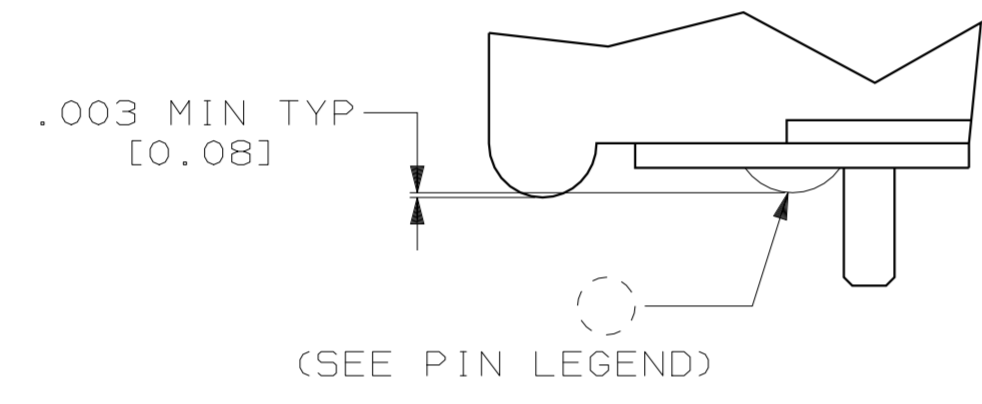
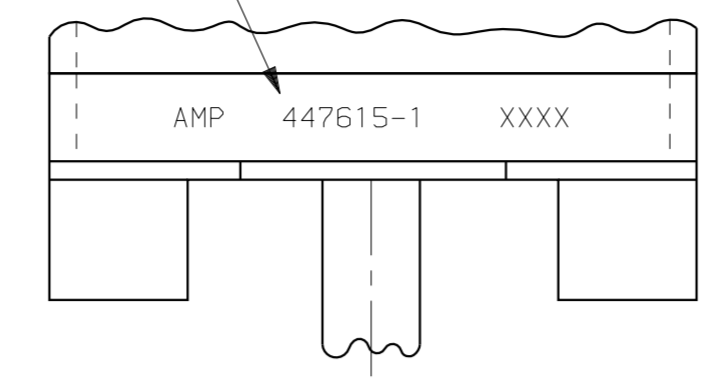


LOC		DIST		P		ZONE		LTR		REVISIONS			
DF	LO									DESCRIPTION	DATE	APPD	
										C REV PER ECO 05-10335	CT	6-06	SG

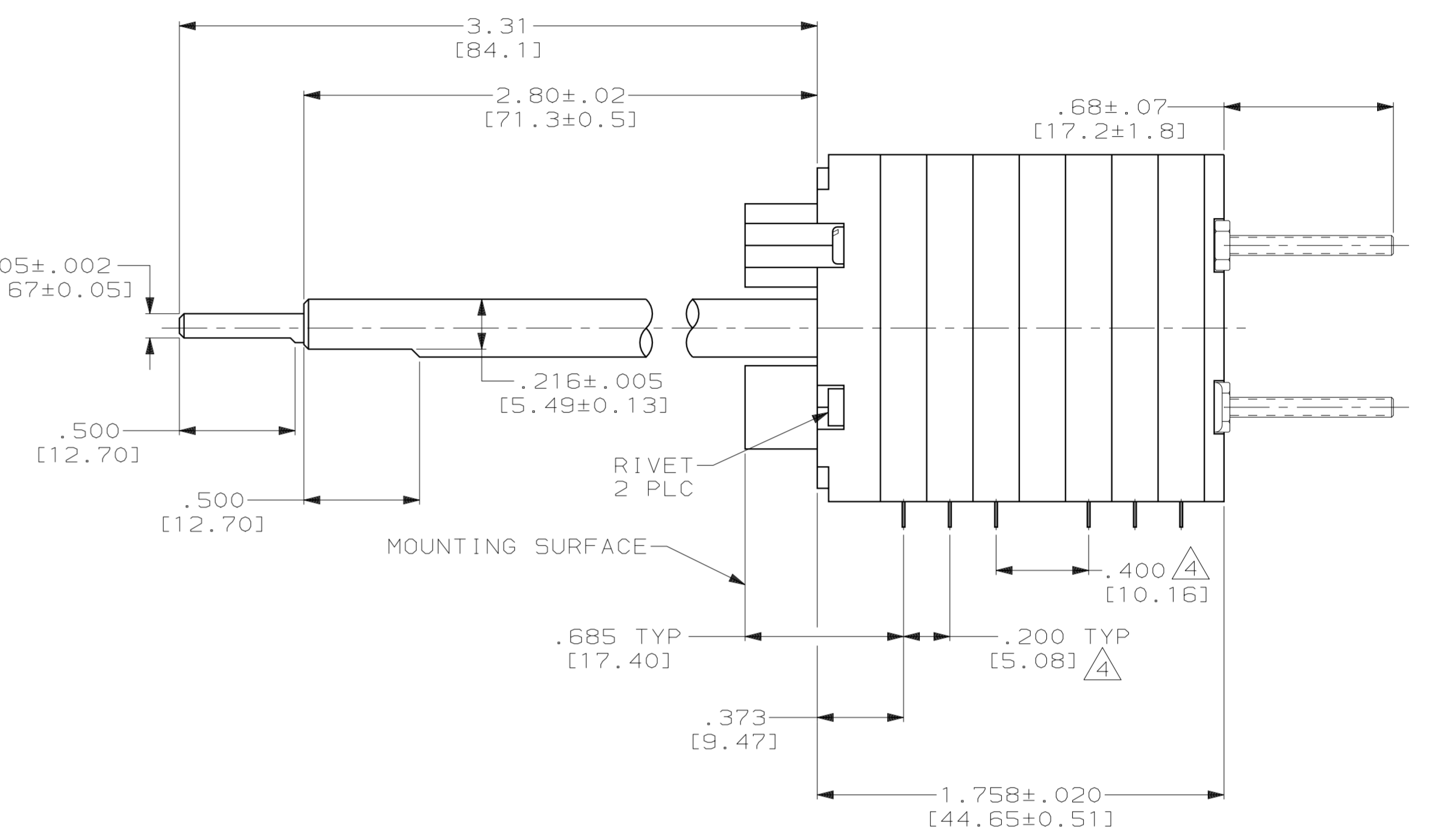
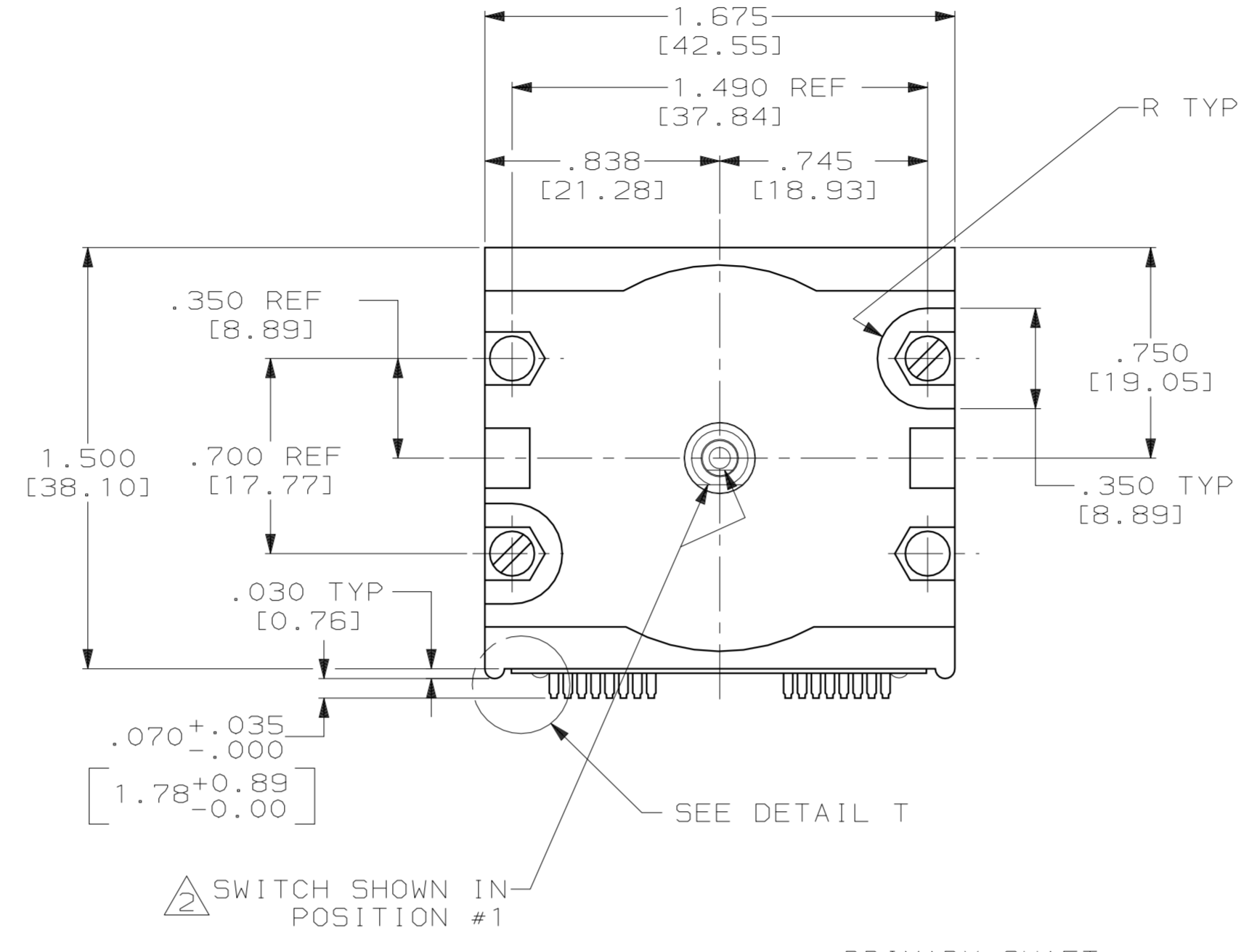
SECONDARY LAYERS #1, 2 & 3							
POSN.	B	C	Ds	E	F	G	Dp
1	●	●	●	●	●	●	●
2	●	●	●	●	●	●	●
3	●	●	●	●	●	●	●
4	●	●	●	●	●	●	●
5	●	●	●	●	●	●	●
6	●	●	●	●	●	●	●
7	●	●	●	●	●	●	●
8	●	●	●	●	●	●	●
9	●	●	●	●	●	●	●
10	●	●	●	●	●	●	●
11	●	●	●	●	●	●	●
12	●	●	●	●	●	●	●
13	●	●	●	●	●	●	●
14	●	●	●	●	●	●	●
15	●	●	●	●	●	●	●
16	●	●	●	●	●	●	●
17	●	●	●	●	●	●	●
18	●	●	●	●	●	●	●
19	●	●	●	●	●	●	●
20	●	●	●	●	●	●	●
21	●	●	●	●	●	●	●
22	●	●	●	●	●	●	●
23	●	●	●	●	●	●	●
24	●	●	●	●	●	●	●
25	●	●	●	●	●	●	●
26	●	●	●	●	●	●	●
27	●	●	●	●	●	●	●
28	●	●	●	●	●	●	●
29	●	●	●	●	●	●	●
30	●	●	●	●	●	●	●
31	●	●	●	●	●	●	●
32	●	●	●	●	●	●	●
33	●	●	●	●	●	●	●
34	●	●	●	●	●	●	●
35	●	●	●	●	●	●	●
36	●	●	●	●	●	●	●

PRIMARY LAYERS #5, 6 & 7				
POSN.	E	F	G	J
1	●	●	●	●
2	●	●	●	●
3	●	●	●	●
4	●	●	●	●
5	●	●	●	●
6	●	●	●	●
7	●	●	●	●
8	●	●	●	●
9	●	●	●	●
10	●	●	●	●
11	●	●	●	●
12	●	●	●	●
13	●	●	●	●
14	●	●	●	●
15	●	●	●	●
16	●	●	●	●
17	●	●	●	●
18	●	●	●	●
19	●	●	●	●
20	●	●	●	●

AMP, AMP PART NO. & DATE CODE  
 INK STAMPED APPROX. AS SHOWN



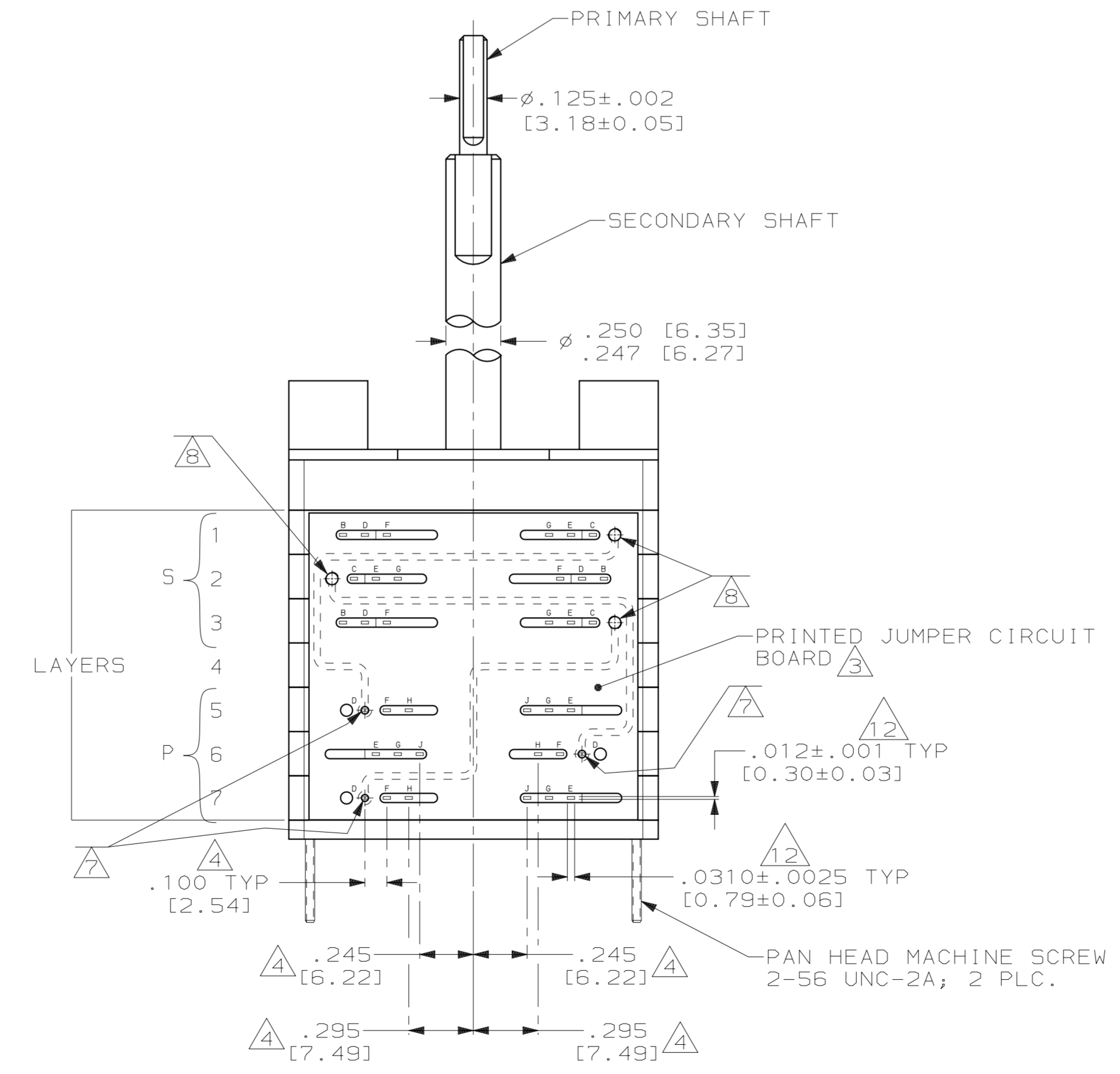
DETAIL T  
 SCALE 8:1



PIN LEGEND

- X = PIN FULL LENGTH.
- = PIN PARTIALLY CUTOFF AND SOLDERED TO JUMPER CIRCUIT.
- ⊕ = PIN FULL LENGTH AND SOLDERED TO JUMPER CIRCUIT.

1. SWITCH NOT TO BE DISASSEMBLED.
2. SWITCH POSITIONS INCREASE WHEN ROTATED IN A CLOCKWISE DIRECTION.
3. PRINTED JUMPER CIRCUIT BOARD IS PERMANENTLY ATTACHED TO SWITCH HOUSING. ALL CONDUCTORS ARE INSULATED WITH EPOXY.
4. THESE DIMENSIONS HAVE NON-CUMULATIVE TOLERANCES.
5. THE TORQUE REQUIRED TO ROTATE THE PRIMARY SHAFT = 16±7 IN. OZ., SECONDARY SHAFT = 21±7 IN. OZ..
6. FOR ADDITIONAL SPECIFICATIONS SEE AMP PRODUCT SPEC. 108-7061.
7. SOLDER TO HAVE A MELTING POINT NOT LESS THAN 500° F, 3 PLACES.
8. SOLDER TO HAVE MELTING POINT NOT LESS THAN 360° F, 3 PLACES.
9. CODE TRANSITION TO TAKE PLACE MIDWAY BETWEEN DETENT POSITIONS ±1.5°.
10. ● = SIMULTANEOUS CLOSURE OF SECONDARY LAYERS 1, 2 & 3 TO COMMON G AND SIMULTANEOUS CLOSURE OF PRIMARY LAYERS 5, 6 & 7 TO COMMON J.
11. SWITCH IS 100% ELECTRICAL TESTED AND INSPECTED.
12. CONTACT DIMENSION DOES NOT INCLUDE CUT-OFF BURR.



447615-1  
 PART NO.

DO NOT SCALE PRINT. UNLESS SPECIFIED DIMENSIONS IN INCHES [mm]		DR 1-7-91 CHUCK THOMAS		AMP Incorporated Harrisburg, PA 17105-3608	
TOLERANCES - ON :		CHK 1-21-93 S. GLATFELTER			
3 PLC DEC ± .010 (0.25)		APPD 1-21-91 S. GLATFELTER		NAME	
ANGLES ± -		APPD 1-31-91 C. THOMAS		ROTARY SWITCH ASSY, 3510 SERIES, MULTI-SHAFT, 20 POSN. PRIMARY, 36 POSN. SECONDARY	
MATERIAL		PRODUCT SPEC		SIZE	
FINISH		APPLICATION SPEC		D 00779	
WEIGHT		SCALE 2:1		DRAWING NO 447615	
				SHEET 1 OF 1	