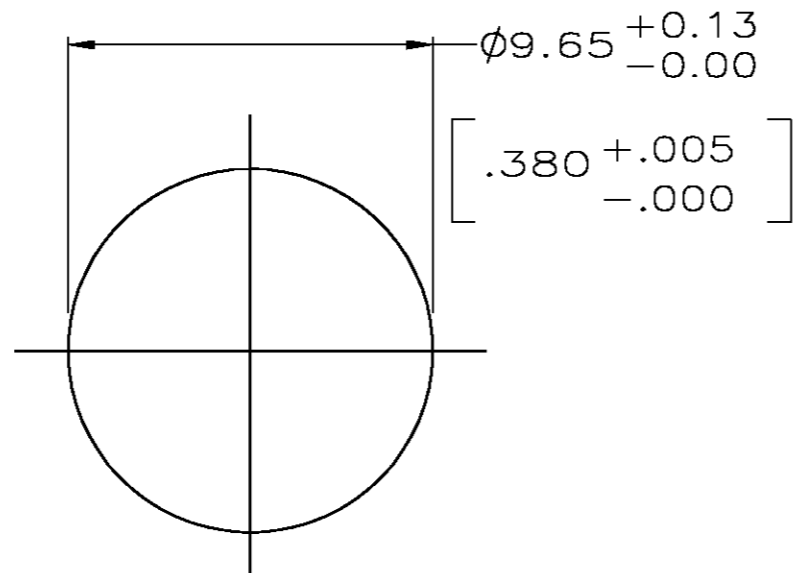


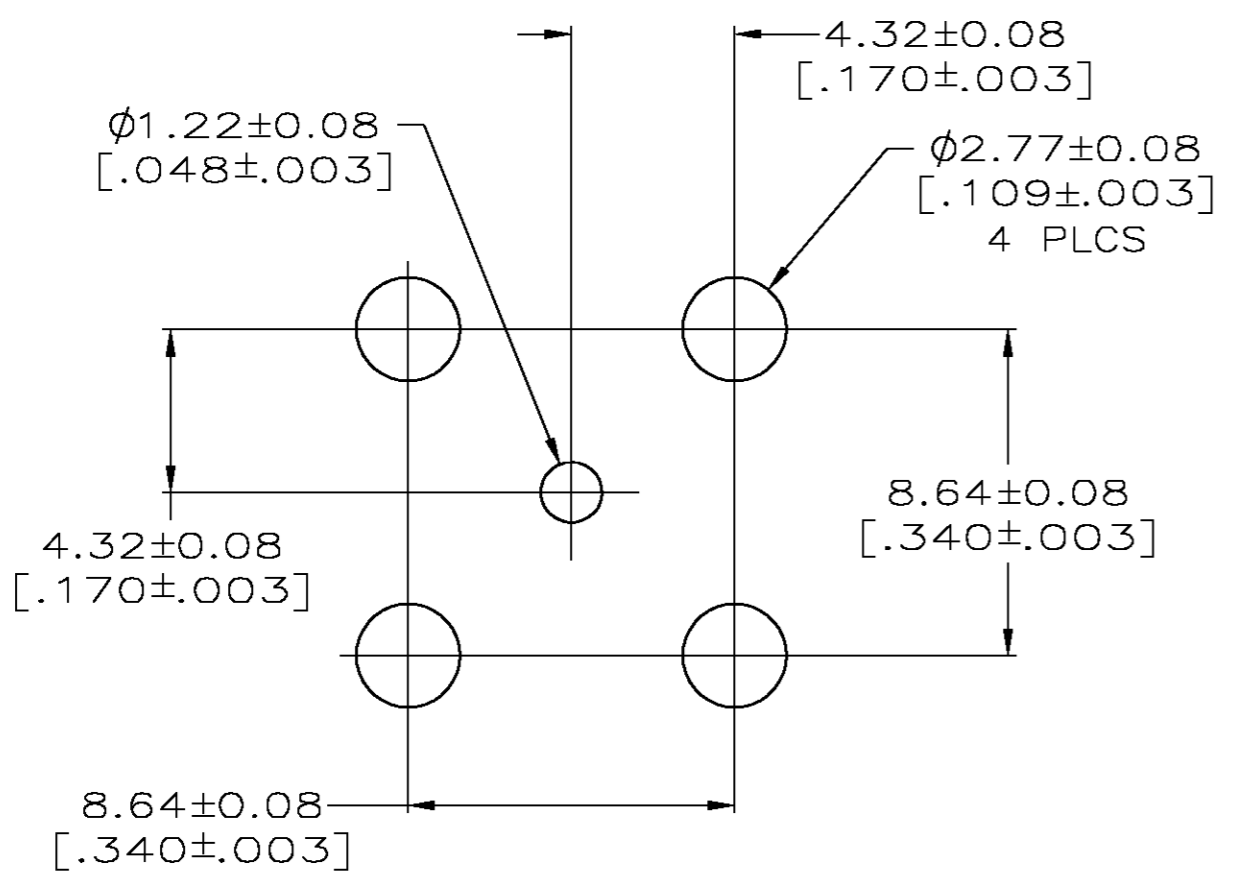
THIS DRAWING IS UNPUBLISHED. RELEASED FOR PUBLICATION
 © COPYRIGHT BY TYCO ELECTRONICS CORPORATION. ALL RIGHTS RESERVED.

Loc		DIST		REVISIONS			
P	LTR	DESCRIPTION	DATE	DWN	APVD		
AJ	16	C	PER EC OS14-0179-04	18NOV04	D5	KW	

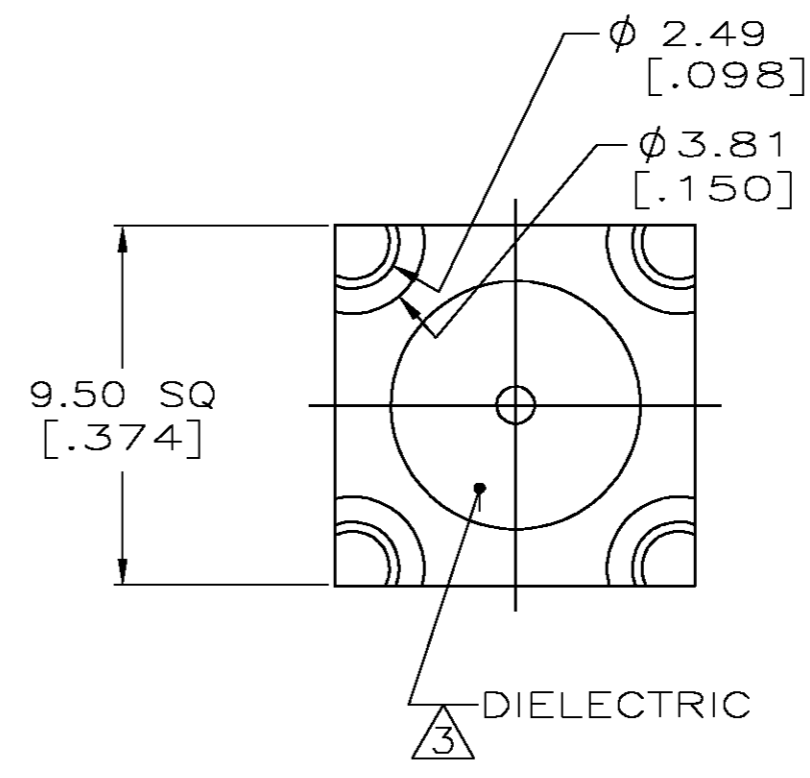
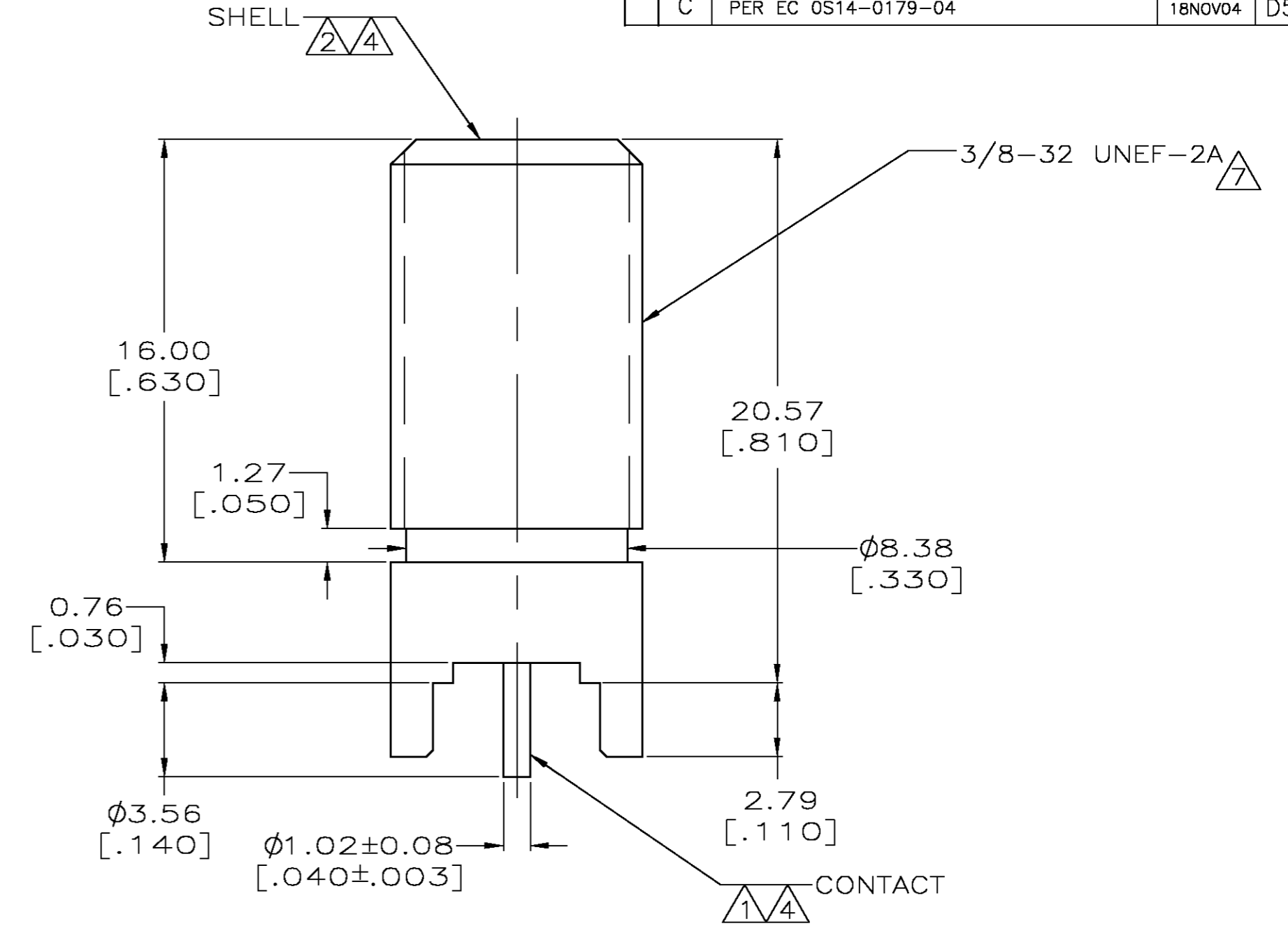
- ① PHOSPHOR BRONZE PER QQ-B-750
- ② ZINC PER QQ-Z-363.
- ③ PTFE PER MIL-P-19468.
- ④ TIN PLATE PER ASTM B 545.
3.81 μm [.000150] MINIMUM THICK.
- 5. CONNECTOR WILL ACCEPT A CENTER CONDUCTOR
DIAMETER OF 0.56[.022]-1.19[.047].
- 6. RETURN LOSS: -20 dB NOMINAL, UP TO 1 GHz.
- ⑦ MAJOR DIAMETER MODIFIED TO .363 REF.



SUGGESTED PANEL CUTOUT



RECOMMENDED PCB CONFIGURATION



887046-1
PART NUMBER

THIS DRAWING IS A CONTROLLED DOCUMENT.		DWN M. O'BRINE 29NOV99	Tyco Electronics Corporation Middletown, PA 17057	
DIMENSIONS: mm [INCHES]		CHK K. WEIDNER 29NOV99	NAME JACK, PCB, VERTICAL, F SERIES	
TOLERANCES UNLESS OTHERWISE SPECIFIED:		APVD K. WEIDNER 29NOV99	SIZE A2	CAGE CODE 00779
0 PLC ± -	1 PLC ± -	PRODUCT SPEC	DRAWING NO C=887046	RESTRICTED TO
2 PLC ± -	3 PLC ± 0.20 [.008]	APPLICATION SPEC	SCALE 5:1	SHEET 1 OF 1
4 PLC ± -	ANGLES ± -	WEIGHT -	REV C	
MATERIAL SEE NOTES 1-3	FINISH SEE NOTE 4	CUSTOMER DRAWING		

887046