



T-1 3/4  
MIDGET  
FLANGE BASE

See lamp ratings  
on page J.

# Incandescent Indicators

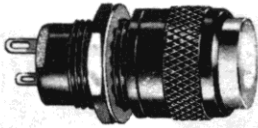
TWO TERMINALS—FULLY INSULATED  
FOR MOUNTING IN 15/32" CLEARANCE HOLE

MEET OR EXCEED ENVIRONMENTAL AND OPERATIONAL REQUIREMENTS  
OF MIL-L-6723 AND MIL-L-3661B

## MATERIALS AND FINISHES

- **Mounting Bushing:** Aluminum, yellow iridescent chromate finish.
- **Internal-tooth Lockwasher and Mounting nut:** Steel, cadmium plated with yellow iridescent chromate finish.
- **Terminals:** Brass, hot tinned with elongated slot.

For RFI/EMI Applications



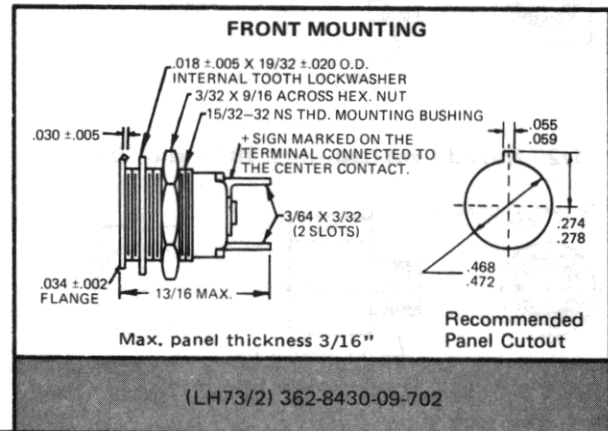
363-8430-0371-502  
LH73/2, LC25RT2  
Flat Lens

## Feature

- **Anti-rotation (locked) construction:** Provides for secure locking of the socket terminal assembly in the mounting bushing and of the center terminal to the insulating disc. The notched mounting bushing receives the matched insulating disc to prevent the rotation of the mounting bushing.

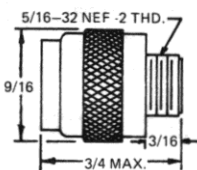
Per MIL-L-3661B

363 SERIES



BASE PART NUMBERS

(LH73/2) 362-8430-09-702

| CAP PART NUMBERS  | TYPE DESIG.               | PART NO.          | LENS CAP COLOR    | COMPLETE ASSEMBLY PART NUMBERS |
|---|---------------------------|-------------------|-------------------|--------------------------------|
|  | <b>Flat—Non—Diffusing</b> |                   |                   |                                |
|   | LC25RN2                   | 239-0331-500      | Red               | 363-8430-0331-502              |
|   | LC25GN2                   | 239-0332-500      | Green             | 363-8430-0332-502              |
|   | LC25YN2                   | 239-0333-500      | Yellow (Amber)    | 363-8430-0333-502              |
|   | LC25BN2                   | 239-0334-500      | Blue              | 363-8430-0334-502              |
| LC25CN2   | 239-0337-500              | Clear (Colorless) | 363-8430-0337-502 |                                |
| Legends not recommended<br>with RFI/EMI units.                                      | <b>Flat—Translucent</b>   |                   |                   |                                |
|   | LC25RT2                   | 239-0371-500      | Red               | 363-8430-0371-502              |
|   | LC25GT2                   | 239-0372-500      | Green             | 363-8430-0372-502              |
|   | LC25YT2                   | 239-0373-500      | Yellow (Amber)    | 363-8430-0373-502              |
|   | LC25BT2                   | 239-0374-500      | Blue              | 363-8430-0374-502              |
| LC25WT2   | 239-0375-500              | White             | 363-8430-0375-502 |                                |

Part numbers shown in gray are normally  
in inventory at your Dialight Distributor.

Order complete with lamp to be assured of receiving the indicator  
light and correct lamp together for immediate use.