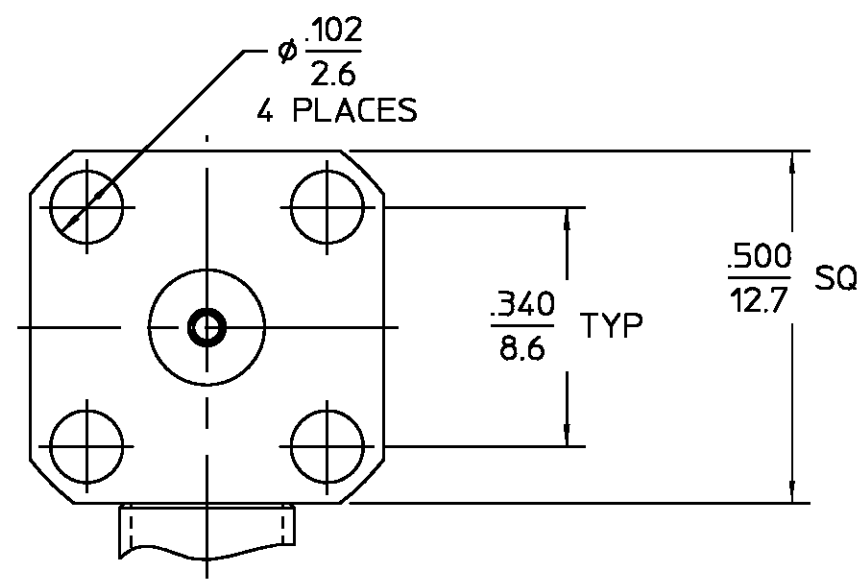
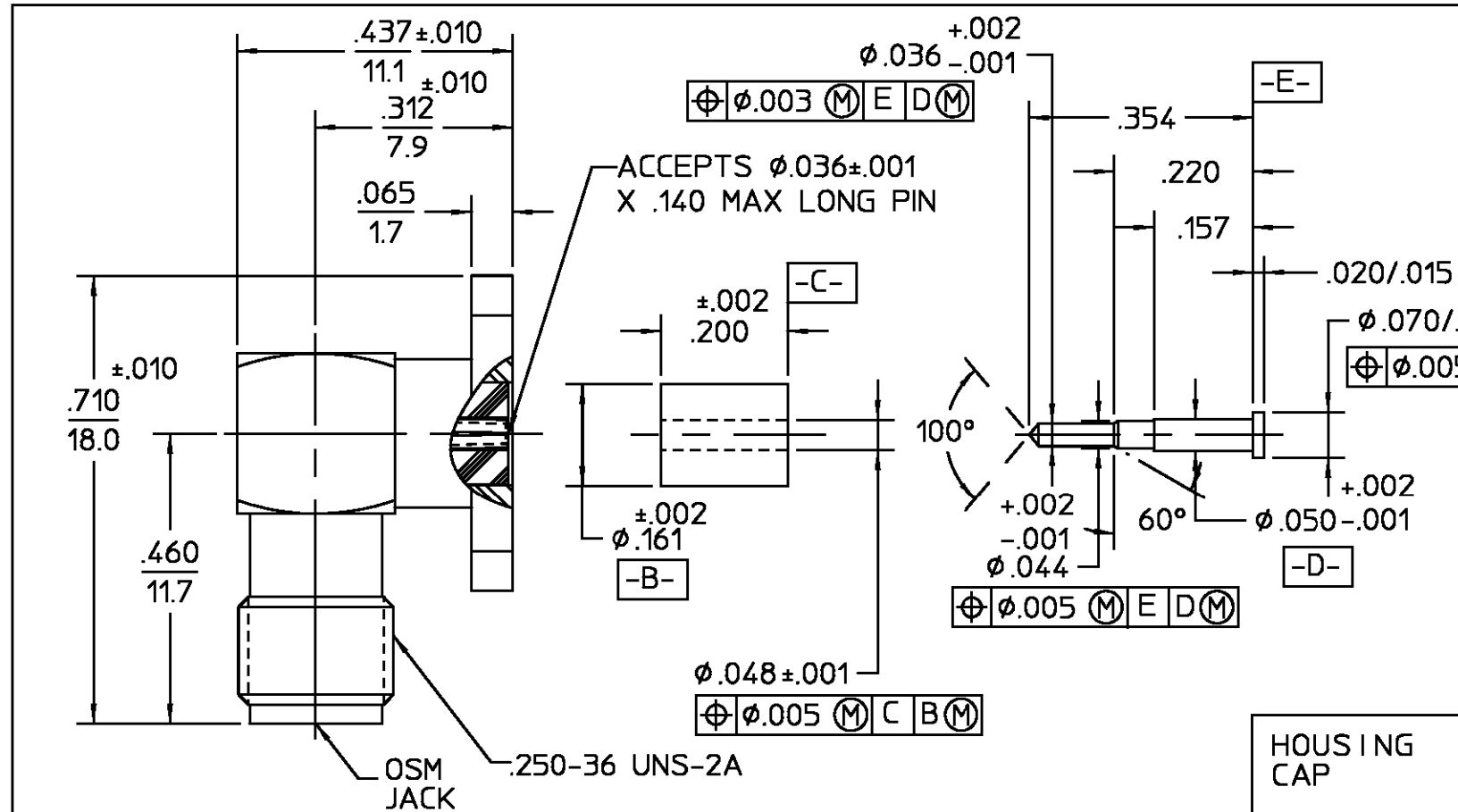


REVISIONS			
REV	DESCRIPTION	DATE	APPROVED
04 ₀	RELEASED	DAC 6/8/99	<i>RAC</i> 16/7/99



ELECTRICAL	MECHANICAL	ENVIRONMENTAL
Nominal Impedance (Ohms) <u>50</u>	Interface Dimensions MIL-STD-348A, Fig. 310.2	Temperature Rating <u>-65°C To 125°C</u>
Frequency Range (GHz) DC to <u>18</u>	Recommended Mating Torque <u>7-10 IN Lbs</u>	Vibration MIL-STD-202, Method 204, Condition D
Volt Rating (VRMS MAX) @ Sea Level <u>335</u>	Mating Characteristics: Insertion (MAX Lbs) <u>3.0</u>	Shock MIL-STD-202, Method 213, Condition I
VSWR <u>1.07±.015f GHz</u>	Withdrawal (MIN Oz) <u>1.0</u>	Thermal Shock MIL-STD-202, Method 107, Condition B.
Insertion Loss (dB MAX) <u>.08 √f GHz</u>	Force to Engage and Disengage (In Lbs MAX) <u>2.0</u>	Moisture Resistance MIL-STD-202, Method 106, Except Vibration
RF Leakage (dB MIN) <u>[-90-f(GHz)]</u>	Center Contact Captivation Axial (Lbs) <u>6.0 MIN</u>	Shall Be Omitted
Corona, 70,000 Ft (VRMS MIN) <u>250</u>	Radial (In Oz) <u>4.0 MIN</u>	Corrosion - MIL-STD-202, Method 101, Condition B, 5% salt spray
Dielectric Withstanding Voltage (VRMS MIN) @ Sea Level <u>1,000</u>	Cable Retention Axial Force (Lbs) <u>N/A</u>	
Contact Resistance (Milliohms MAX) Center Contact <u>3.0</u>	Torque (In Oz) <u>N/A</u>	
Outer Contact <u>2.0</u>	Weight (Grams) <u>5.0 g max</u>	
Cable to Housing <u>N/A</u>		
RF High Potential @ Sea Level (VRMS MIN @ 5 MHz) <u>670</u>		
LR.(Megohms MIN) <u>10,000</u>		

COMPONENT	MATERIAL	FINISH
HOUSING CAP	STAINLESS STEEL PER ASTM-A484 AND ASTM-A582, TYPE 303	PASSIVATE PER ASTM-380
DIELECTRIC	TFE FLUOROCARBON PER ASTM-D-1457	N/A
CENTER CONTACT CONTACT EXT.	BERYLLIUM COPPER PER ASTM B 196 OR ASTM-B-197, ALLOY C17300, CONDITION H	GOLD PLATE PER MIL-G-45204
MALE PIN	BRASS PER ASTM-B-16 HALF HARD	TIN PLATE PER MIL-T-10727

UNLESS OTHERWISE SPECIFIED DIMENSIONS ARE IN INCHES

GEN.TOL. ±.005 ANGLES ± 1°

DRAWN BY *RAC* DATE 5/3/99

CHECKED BY *RAC*

APPD BY *RAC* 6/10/99

AMP Incorporated
140 Fourth Avenue
Waltham, MA 02451-7599

USE ASSY PROCEDURE

NO. A.P. N/A

TITLE OSM FLANGE MOUNT 4 HOLE RIGHT ANGLE JACK RECEPTACLE FIELD REPLACEABLE

SIZE	CODE IDENT NO.	REV
B	26805	04 ₀

SCALE 4:1 SHEET 1 OF 1