

4

3

2

1

D

D

C

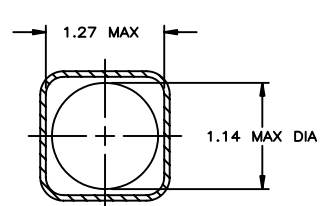
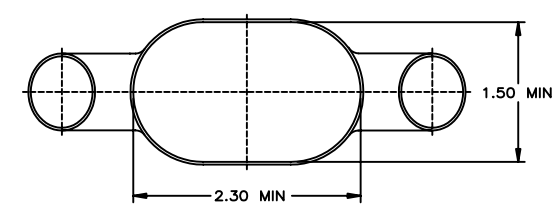
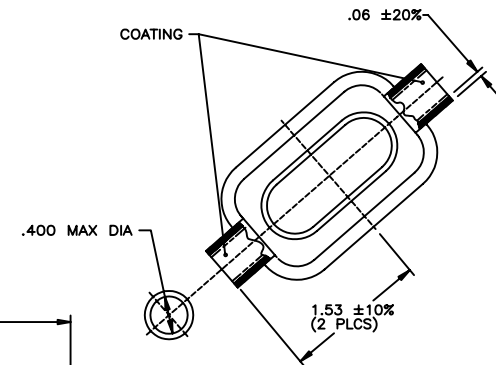
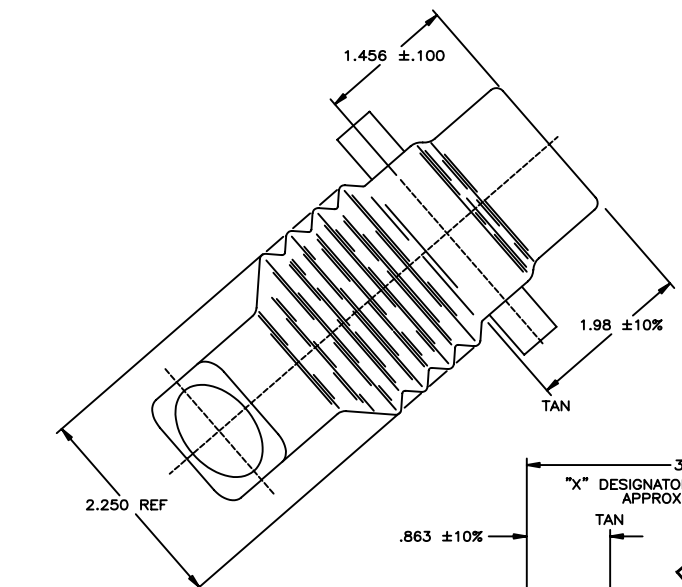
C

B

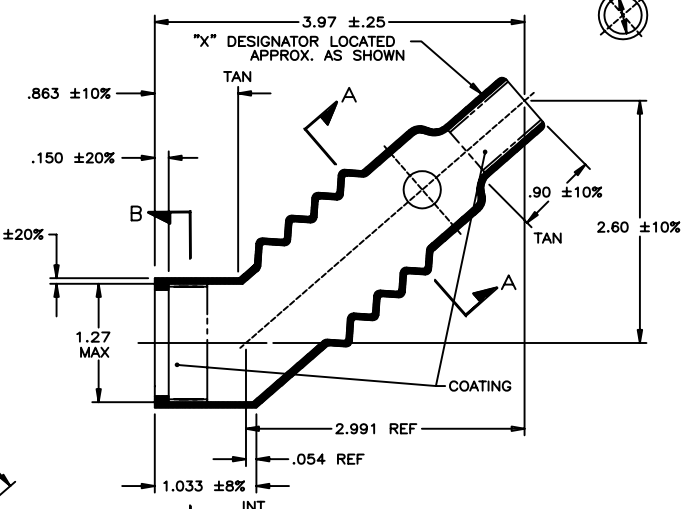
B

A

A

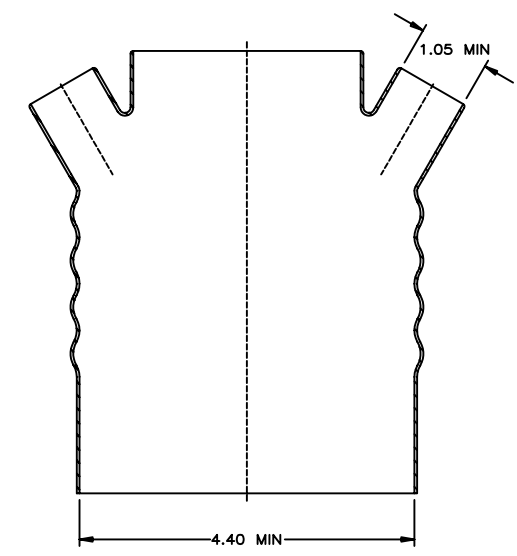


SECTION B-B

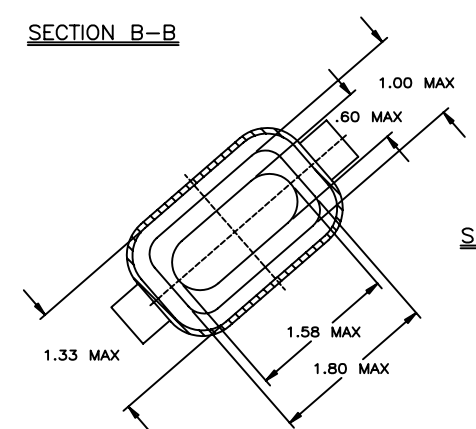


SECTION A-A

AFTER UNRESTRICTED RECOVERY



AS SUPPLIED



SPECIFICATION CONTROL DRAWING
(LIMITED DISTRIBUTION)

NOTES:

- 1. MATERIAL: -4, POLYOLEFIN, FLEXIBLE (RT-1304)
- 2. COATING: S-1017 (/42)

If this document is printed it becomes uncontrolled.
Check for the latest revision.

| | | | | | |
|-------------|------|-------------------------|---------|--|--|
| B | | REVISED PER DCR MP99039 | 2/10/99 | | |
| REV. LETTER | ZONE | DETAILS OF REVISION | DATE | | |

THIS DRAWING AND THE INFORMATION SET FORTH HEREON ARE THE PROPERTY OF RAYCHEM CORPORATION AND ARE TO BE HELD IN TRUST AND CONFIDENCE. PUBLICATION, DUPLICATION, DISCLOSURE OR USE FOR ANY PURPOSE NOT EXPRESSLY AUTHORIZED IN WRITING BY RAYCHEM CORPORATION IS PROHIBITED.

| | | | |
|---------------------------|--|---|------------------|
| DO NOT SCALE THIS DRAWING | | Raychem CORPORATION 300 CONSTITUTION, MENLO PARK | |
| TITLE: | | | |
| BOOT, FLEXIBLE, FORWARD | | DRWG. NO. 451A100 | REV. LETTER B |