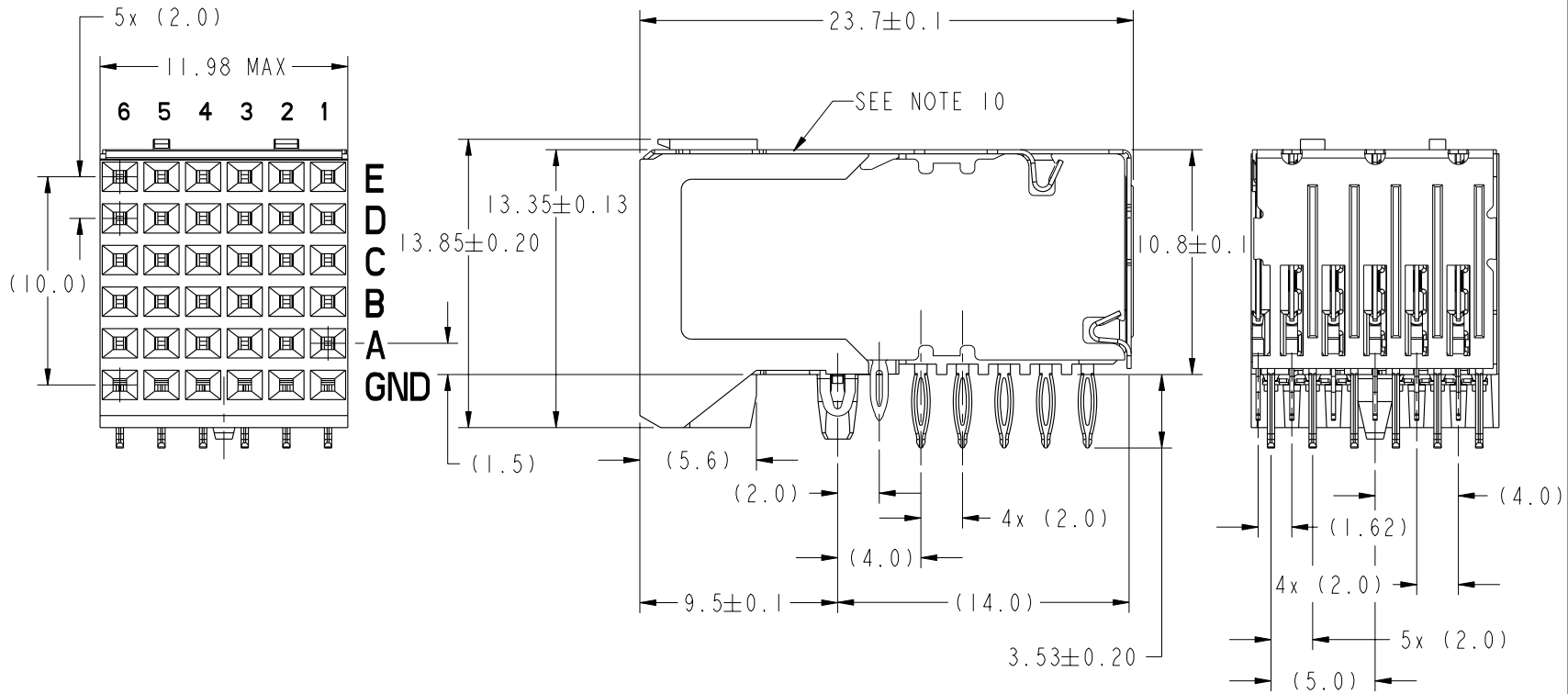


PRODUCT NUMBER	PLATING PERFORMANCE LEVEL	PRESS FIT TAIL PLATING
10056334-102	TELCORDIA CO	STANDARD (SnPb)
10056334-102LF		LEAD FREE (Sn)



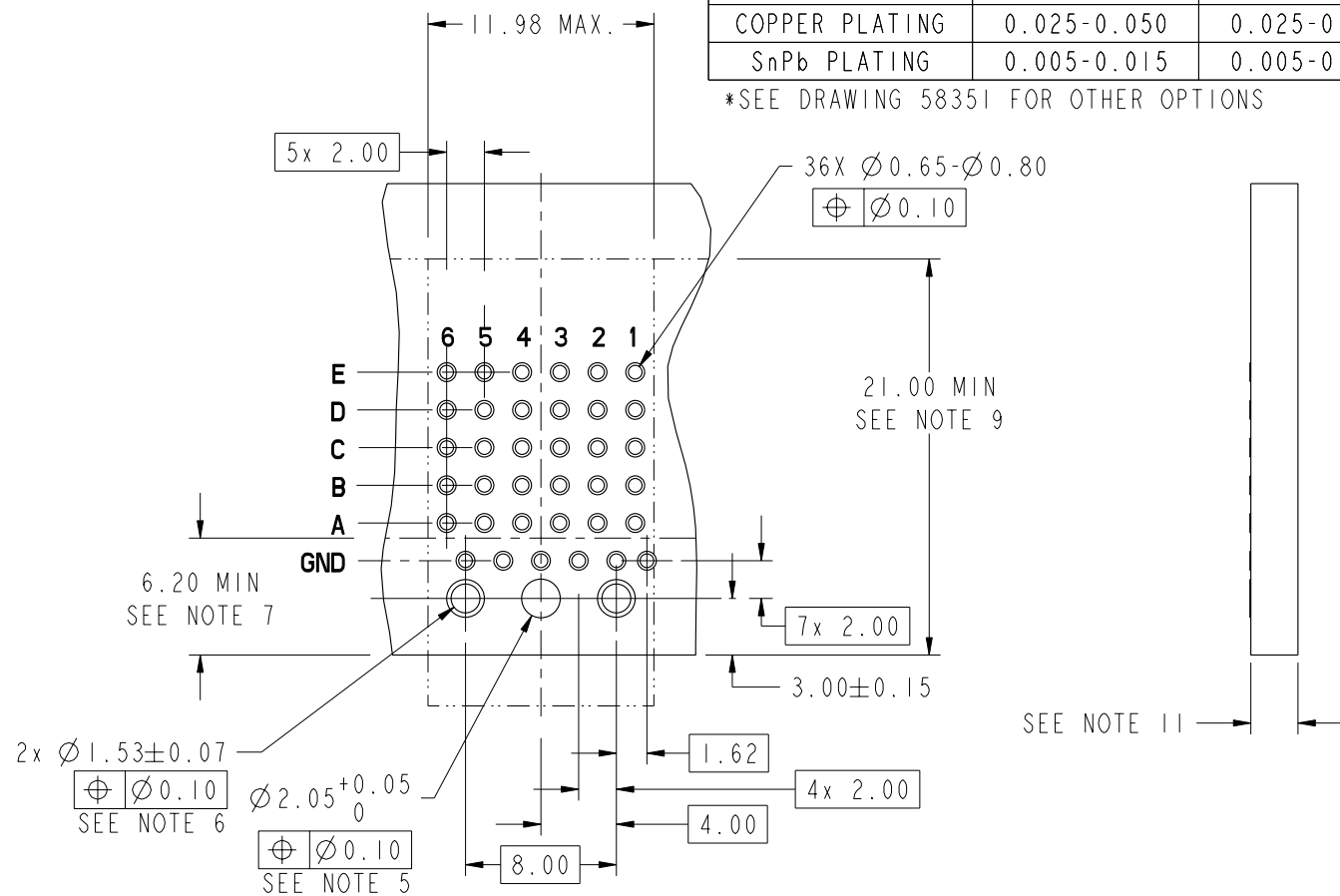
mat'l code SEE NOTE 2				tolerances unless otherwise specified		CUSTOMER	FCI www.fciconnect.com	
ltr	ecm no.	dr	date	linear	0.X ±0.3	COPY	title	
A	V05-0462	DAI	2005-05-13	0.XX ±0.10	projection	RIGHT ANGLE SIGNAL RECEPTACLE		
B	V05-0489	DAI	2005-05-18	0.XXX ±0.050	MM	5 ROW P.F. 30 POSITION		
C	V06-0573	DCH	2006-06-15	angles	0° ±2°	product family	METRAL 1000	code
D	V07-0436	DCH	2007-06-28	dr	D. INGRAM	2005-05-13	size	213
E	V08-0060	HTB	2008-02-05	enrg	J. VOLSTORF	2005-05-13	dwg no	10056334
				chr	J. VOLSTORF	2005-05-13	sheet	1 of 4
				appd	J. VOLSTORF	2005-05-13	scale	
						3:1		
sheet index	revision sheet	E 1	E 2	E 3	E 4			

This document is the property of and embodies CONFIDENTIAL and PROPRIETARY information of FCI. No part of the information shown on this document may be used in any way or disclosed to others without the written consent of FCI. Copyright FCI.

PRODUCT NUMBER
SEE SHEET 1

PRESS-FIT HOLES		
HOLE DIAMETER AFTER PLATING	∅0.65-∅0.80	∅1.53
DRILLED HOLE	∅0.81-∅0.86 (∅0.85 DRILL)	∅1.61-∅1.66 (∅1.65 DRILL)
COPPER PLATING	0.025-0.050	0.025-0.050
SnPb PLATING	0.005-0.015	0.005-0.015

*SEE DRAWING 58351 FOR OTHER OPTIONS



RECOMMENDED PCB HOLE
PATTERN-COMPONENT SIDE

mat'l code SEE NOTE 2		tolerances unless otherwise specified		CUSTOMER		FCj www.fciconnect.com	
ltr	ecn no.	dr	date	linear	0.X ± 0.3	COPY	title RIGHT ANGLE SIGNAL RECEPTACLE 5 ROW P.F. 30 POSITION
E				linear	0.XX ± 0.10	projection	
				angles	0.XXX ± 0.050	∅	
				dr	D. INGRAM 2005-05-13	MM	product family METRAL 1000 code
				engr	J. VOLSTORF 2005-05-13	← MM →	size
				chr	J. VOLSTORF 2005-05-13	scale	dwg no
				appd	J. VOLSTORF 2005-05-13	1:1	A 10056334
sheet index	revision sheet						213 sheet 2



This document is the property of and embodies
CONFIDENTIAL and PROPRIETARY information of FCj.
No part of the information shown on this
document may be used in any way or disclosed
to others without the written consent of FCj.
Copyright FCj.

PRODUCT NUMBER
SEE SHEET 1

NOTES

- 1. UNLESS OTHERWISE SPECIFIED ALL DIMENSIONS AND TOLERANCES ARE IN ACCORDANCE WITH ASME Y14.5M, 1994
 - 2. HOUSING MATERIAL: LIQUID CRYSTAL POLYMER, GLASS FILLED, FLAME RETARDANT PER UL94V-0
GROUND SHIELD MATERIAL: COPPER ALLOY
SIGNAL CONTACT MATERIAL: COPPER ALLOY
 - 3. SEE PRODUCT SPECIFICATION GS-12-110 FOR PRODUCT PERFORMANCE CHARACTERISTICS.
 - 4. SEE GS-20-017 FOR APPLICATION OF CONNECTOR TO PCB.
 - 5. Ø2.05 HOLE IS UNPLATED
 - 6. Ø1.53 PLATED HOLES (2X) ARE FOR GROUNDS
 - 7. AVOID TRACES IN THIS AREA ON TOP OF PCB DUE TO EXPOSED GROUND SHIELD
 - 8. UNDERPLATING FOR SHIELD AND SIGNAL CONTACTS IS 1.3 µm Ni MIN
 - 9. COMPONENT KEEP OUT ZONE FOR PRESS BLOCK CLEARANCE
 - 10. PRODUCT MARKING: PRODUCT NUMBER, DATE AND LOT CODE
 - 11. PCB THICKNESS RANGE: 1.3mm TO 2.5mm
 - 12. PRODUCTS WHERE THE PART NUMBER ENDS IN LF MEET EUROPEAN UNION DIRECTIVES AND OTHER COUNTRY REGULATIONS AS DESCRIBED IN GS-22-008.
- ALL PRODUCTS WILL WITHSTAND EXPOSURE TO 260°C FOR 60 SECONDS IN A CONVECTION, INFRA-RED OR VAPOR PHASE OVEN.

A


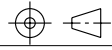
A



This document is the property of and embodies CONFIDENTIAL and PROPRIETARY information of FCI. No part of the information shown on this document may be used in any way or disclosed to others without the written consent of FCI. Copyright FCI.

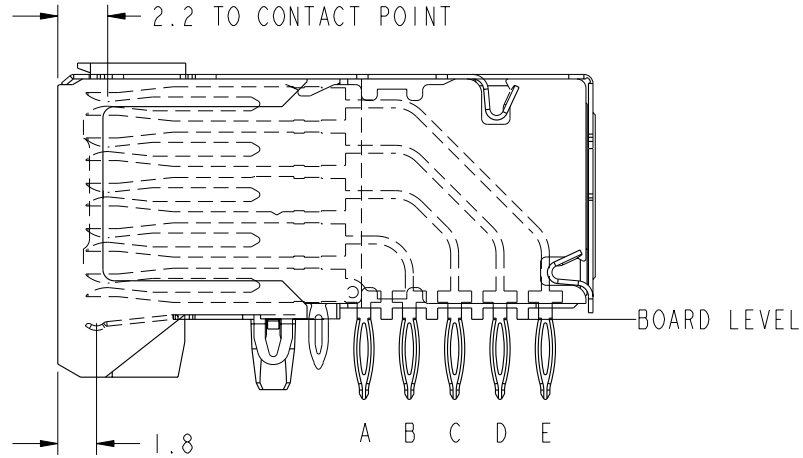
B

B

mat'l code SEE NOTE 2		tolerances unless otherwise specified		CUSTOMER		 www.fciconnect.com				
ltr	ecr no.	dr	date	linear	0.X ±0.3	COPY				
E				linear	0.XX ±0.10	projection	title RIGHT ANGLE SIGNAL RECEPTACLE 5 ROW P.F. 30 POSITION			
				angles	0.XXX ±0.050					
				angles	0° ±2°					
		dr	D. INGRAM	2005-05-13	MM		product family	METRAL 1000	code	
		enr	J. VOLSTORF	2005-05-13	← MM →		size	dwg no	213	
		chr	J. VOLSTORF	2005-05-13	scale		A	10056334	sheet	3
		appd	J. VOLSTORF	2005-05-13	3:1					
sheet index	revision sheet									

PRODUCT NUMBER
SEE SHEET 1

DISTANCE FROM CONTACT POINT TO BOARD	
CONTACT	DISTANCE
A	12.5
B	16.2
C	19.5
D	22.3
E	25.2



CONTACT POINT AND SKEW

mat'l code SEE NOTE 2		tolerances unless otherwise specified		CUSTOMER		FCj www.fciconnect.com	
ltr	ecm no.	dr	date	linear	0.X ±0.3	COPY	
E				linear	0.XX ±0.10	projection	title RIGHT ANGLE SIGNAL RECEPTACLE 5 ROW P.F. 30 POSITION
				angles	0.XXX ±0.050		
				angles	0° ±2°		
		dr	D. INGRAM	2005-05-13	MM		product family METRAL 1000
		engr	J. VOLSTORF	2005-05-13	← MM →		code 213
		chr	J. VOLSTORF	2005-05-13	scale 3:1		size A
		appd	J. VOLSTORF	2005-05-13			dwg no 10056334
sheet index	revision sheet						sheet 4

This document is the property of and embodies CONFIDENTIAL and PROPRIETARY information of FCj. No part of the information shown on this document may be used in any way or disclosed to others without the written consent of FCj. Copyright FCj.