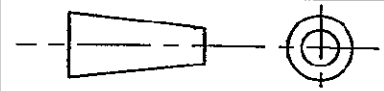


C.A.D. FILE CODE
5. C344273

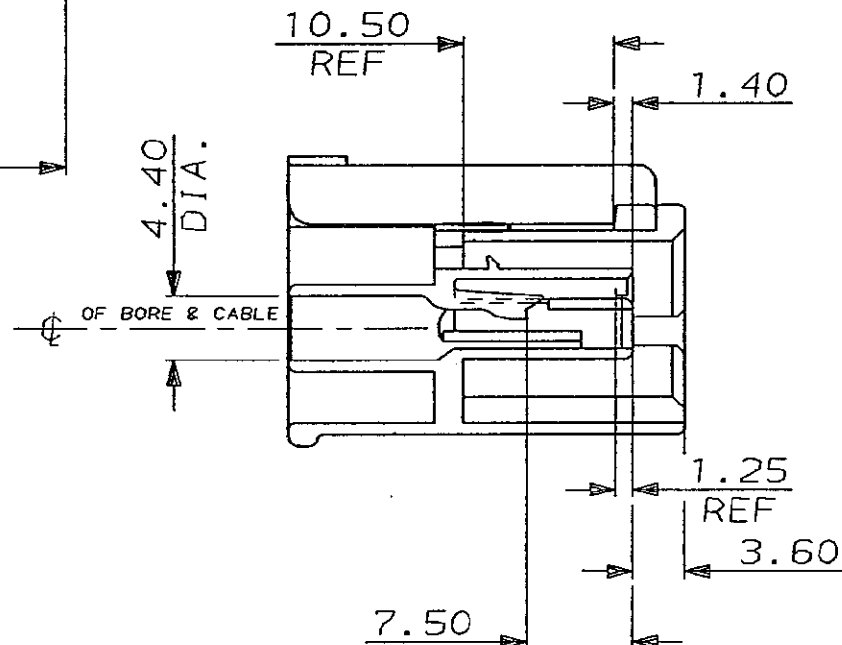
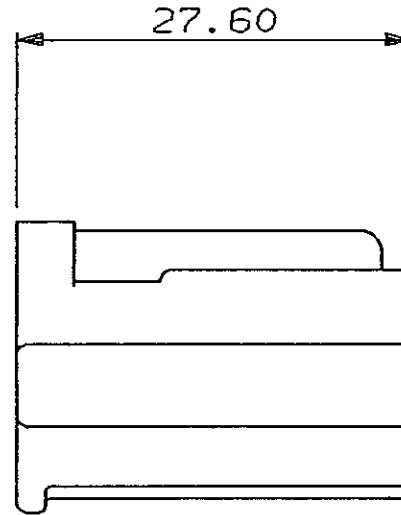
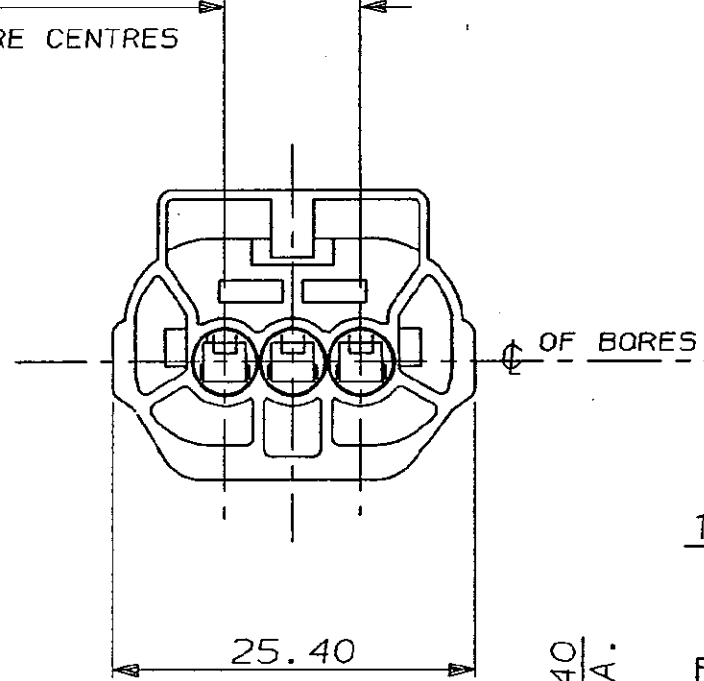
DO NOT SCALE

DIMENSIONS IN MM.

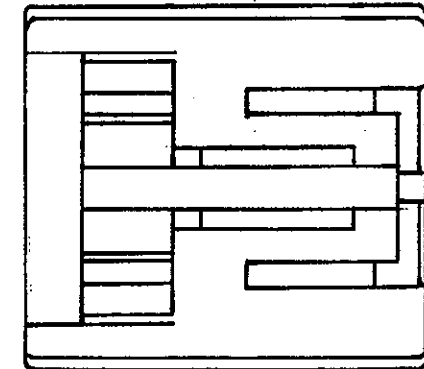
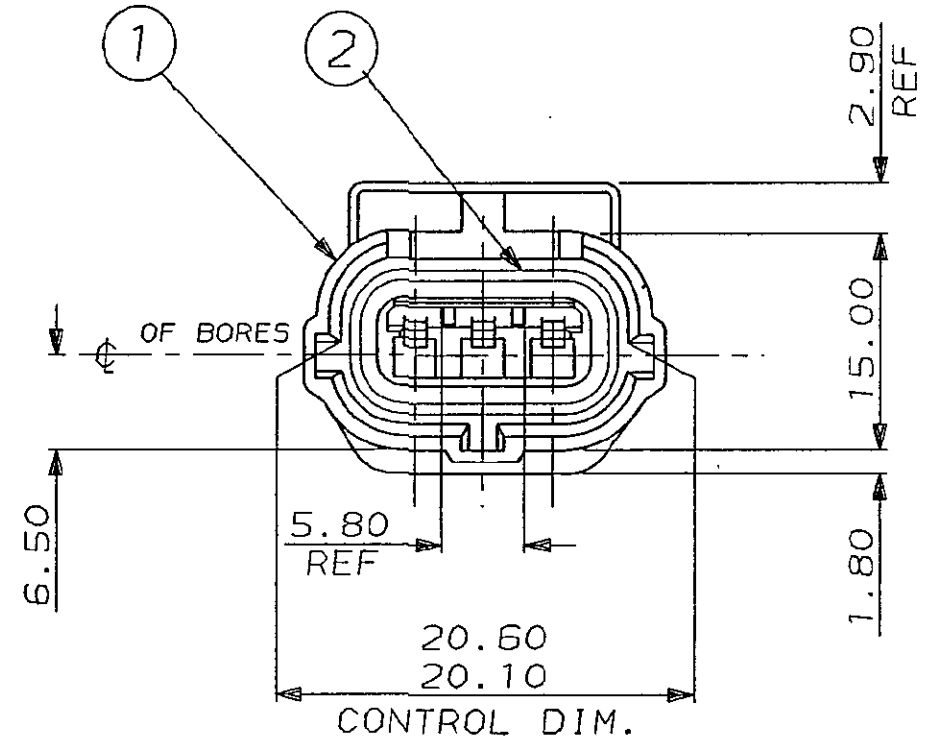


2×4.80
 $= 9.60$

BORE CENTRES



SCRAP VIEW (SEAL NOT SHOWN)



SCRAP VIEW

2	GREY	NITRILE RUBBER		PERIPHERAL SEAL	1	1-344273-4
1	WHITE	NYLON 66	344272-4	3 WAY REC. HSG.	1	(WHITE)
2	GREY	NITRILE RUBBER		PERIPHERAL SEAL	1	1-344273-3
1	BLUE	NYLON 66	344272-3	3 WAY REC. HSG.	1	(BLUE)
2	GREY	NITRILE RUBBER		PERIPHERAL SEAL	1	1-344273-2
1	RED	NYLON 66	344272-2	3 WAY REC. HSG.	1	(RED)
2	GREY	NITRILE RUBBER		PERIPHERAL SEAL	1	1-344273-1
1	BLACK	NYLON 66	344272-1	3 WAY REC. HSG.	1	(BLACK)
2	ORANGE	SILICONE RUBBER		PERIPHERAL SEAL	1	344273-4
1	WHITE	NYLON 66	344272-4	3 WAY REC. HSG.	1	(WHITE)
2	ORANGE	SILICONE RUBBER		PERIPHERAL SEAL	1	344273-3
1	BLUE	NYLON 66	344272-3	3 WAY REC. HSG.	1	(BLUE)
2	ORANGE	SILICONE RUBBER		PERIPHERAL SEAL	1	344273-2
1	RED	NYLON 66	344272-2	3 WAY REC. HSG.	1	(RED)
2	ORANGE	SILICONE RUBBER		PERIPHERAL SEAL	1	344273-1
1	BLACK	NYLON 66	344272-1	3 WAY REC. HSG.	1	(BLACK)
ITEM No.	COLOUR	MATERIAL	PART No.	DESCRIPTION	QTY. PER ASSY.	ASSEMBLY PART No.

CUSTOMER DRG.
FOR REFERENCE ONLY.

TOLERANCES
UNLESS OTHERWISE
STATED :
DEC ± 0.5
ANGLES ± 1°

DR. R.S.

5.11.87

CH. R.R.

APP. B.J.

STE TE Connectivity

NAME
3 WAY REC. HSG. ASSY.
ECONOSEAL 3 LOW CURRENT

K1	REVISED PER ECO-11-005294	08APR11	SCALE 2/1	LOC E	SIZE A3	DWG.No. C344273	REV K1	SHEET 1/1
REV	MODIFICATION	DATE	ECO					