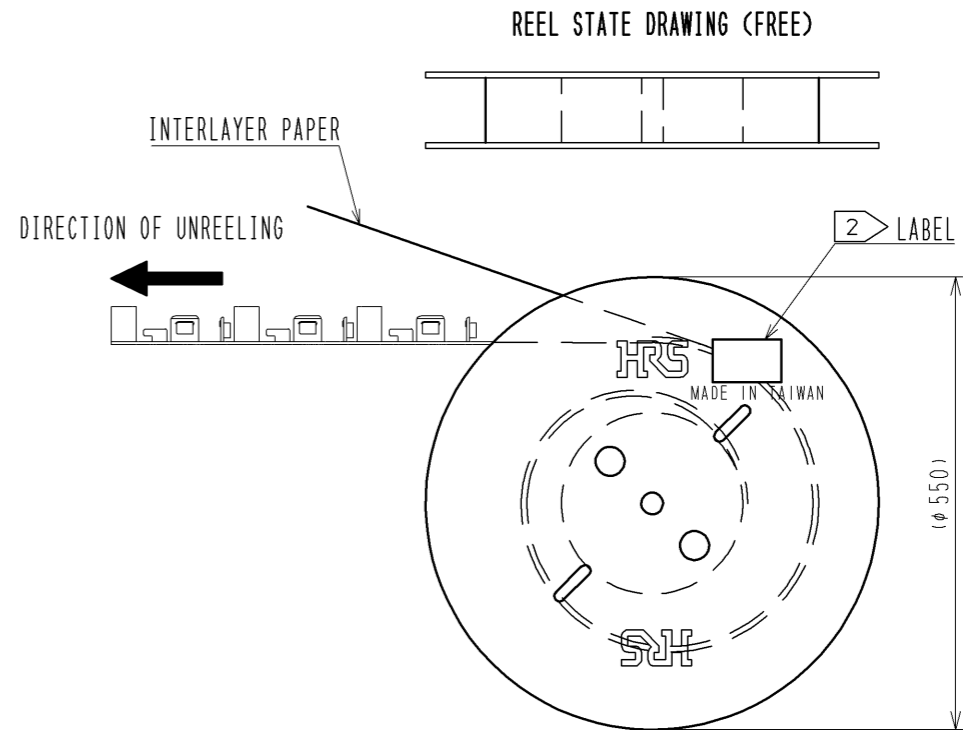
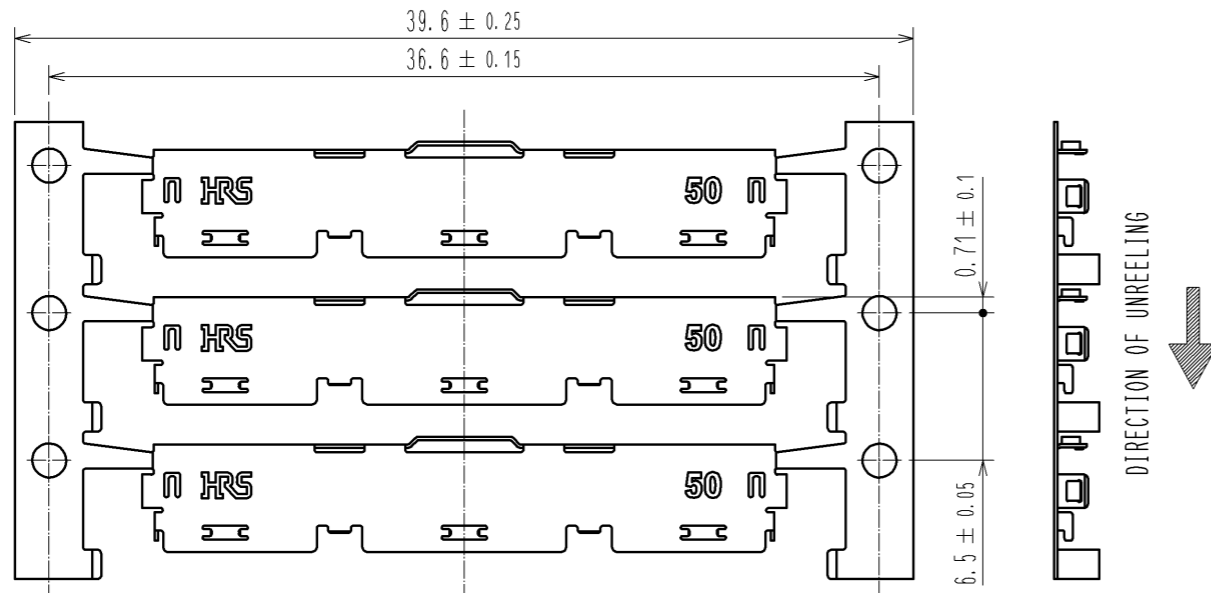


CAREER STATE DRAWING(FREE)



NOTES

- 1. PER REEL:1000 COMPONENTS
- 2. DETAILS OF THE LABEL ARE SHOWN BELOW.
- 3. THE ASSEMBLY IS COMPLETED BY COMBINING TWO PARTS 'CONNECTOR UNIT, AND METAL SHIELDING'. REFER TO THE TABLE FOR EACH ITEM No. PART NAME, PART No AND CODE No.

2 LABEL DETAILS

HRS		INSPECTION 検査
CODE NO. 品名コード	CL662-8009-4-52	
PART NO. 品名	DF80-50P-SHL(52)	
QTY 数量	1,000 PCS	
PECULIAR 仕様		
Lot No		
SPLICE 継ぎ目		

3

ITEM No.	PART NAME	PART No.	CODE No.
-	CONNECTOR UNIT	DF80-50P-0.5SD(52)	CL662-8008-1-52
1	METAL SHIELDING	DF80-50P-SHL(52)	CL662-8009-4-52

NO.	MATERIAL	FINISH . REMARKS	NO.	MATERIAL	FINISH . REMARKS
			1	STAINLESS	WHOLE AREA : Sn PLATING 1μmMIN UNDER PLATING : Ni PLATING 0.2μmMIN

UNITS mm	SCALE FREE	COUNT	DESCRIPTION OF REVISIONS	DESIGNED	CHECKED	DATE
HRS	HIROSE ELECTRIC CO., LTD.	APPROVED : TS. SAKATA CHECKED : TS. SAKATA DESIGNED : IO. DENPOUYA DRAWN : IO. DENPOUYA	13.02.21 13.02.21 13.02.21 13.02.21	DRAWING NO. PART NO. CODE NO.	EDC3-338301-02 DF80-50P-SHL(52) CL662-8009-4-52	1/1