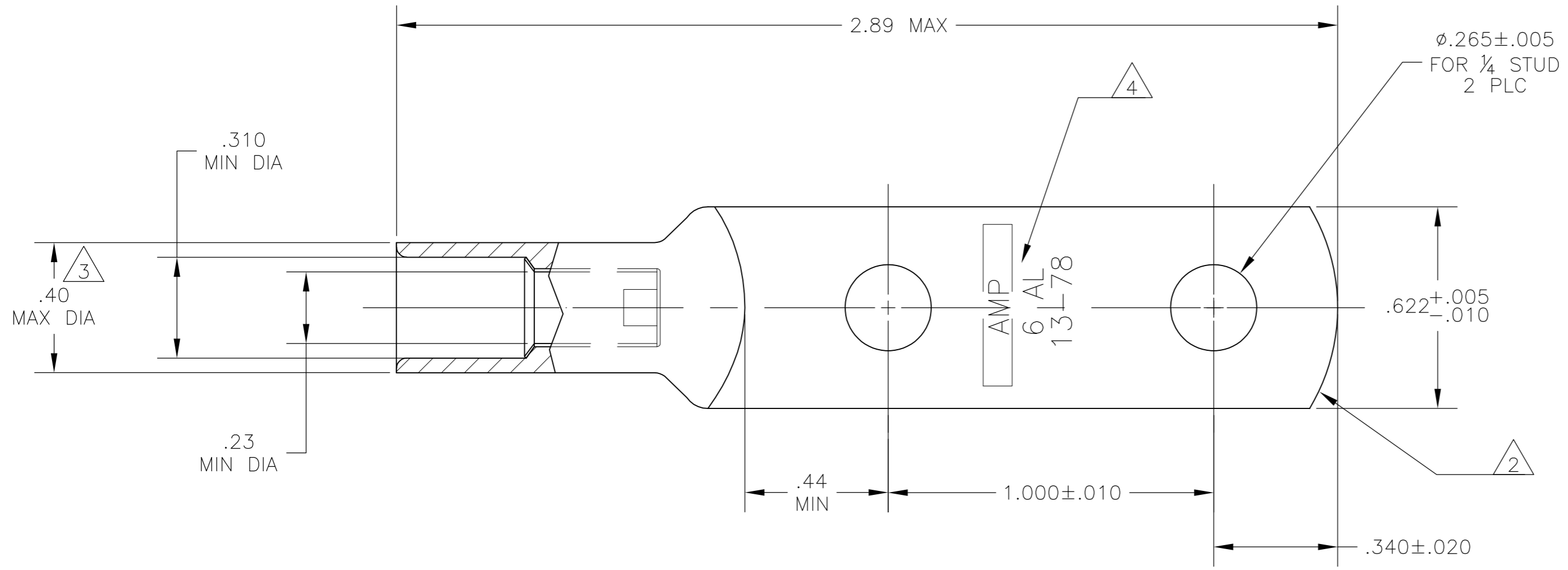
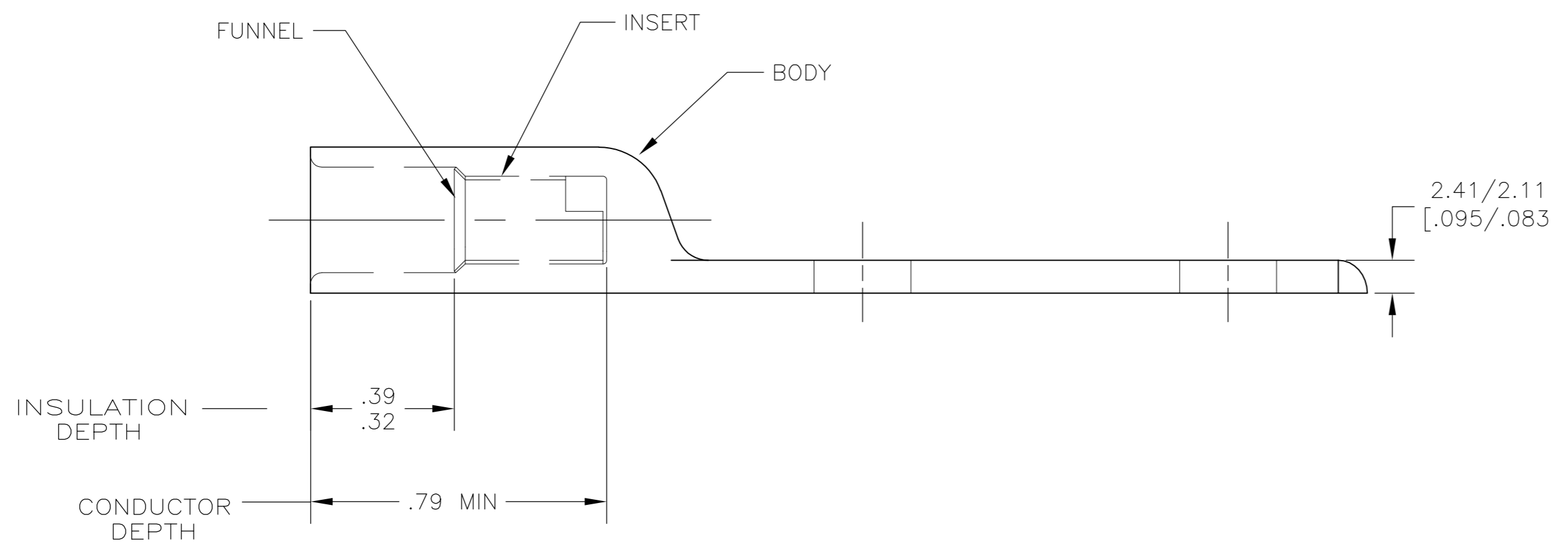


THIS DRAWING IS UNPUBLISHED. RELEASED FOR PUBLICATION
 © COPYRIGHT - By - ALL RIGHTS RESERVED.

LOC	DIST	REVISIONS					
		P	LTR	DESCRIPTION	DATE	DWN	APVD
G	86						
		F		REVISED PER ECO-12-008336	20JUN12	PY	BW



- 1 WIRE INSULATION: .261-291 DIA
- 2 THE TONGUE RADIUS FEATURE IS NOT A TOOLING CONTROLLED DIMENSION AND MAY NOT BE A TRUE RADIUS.
- 3 IMPACT FLASH PERMITTED .020 MAX
- 4 STAMP "AMP 6 AL 13-78" SIZE AND LOCATION APPROX AS SHOWN



BODY: COPPER ASTM-B187 ANNEALED TIN PL PER ASTM B-545 .000150 MIN THK	696999-1
INSERT & FUNNEL: BRASS PER ASTM B36 NICKEL PLATE SAE AMS QQ-N-290A, DATED JULY 2000, .000100 MIN THK	
MATERIAL & FINISH	PART NO.

THIS DRAWING IS A CONTROLLED DOCUMENT.		DWN	JR RUTH	01SEP06	 TE Connectivity			
DIMENSIONS: INCHES		CHK	MJ SPICER	01SEP06				
TOLERANCES UNLESS OTHERWISE SPECIFIED:		APVD	MJ SPICER	01SEP06				
0 PLC ± - 1 PLC ± - 2 PLC ± .01 3 PLC ± .008 4 PLC ± - ANGLES ± - FINISH SEE TABLE		PRODUCT SPEC	NAME			WIRE TERMINAL, RING TONGUE, SEALED COPALUM, WIRE SIZE: 6 ALUMINUM		
MATERIAL SEE TABLE		APPLICATION SPEC	-		SIZE	CAGE CODE	DRAWING NO	RESTRICTED TO
		WEIGHT	25 GRAMS		A2	00779	C=696999	-
		CUSTOMER DRAWING			SCALE	2:1	SHEET	1 of 1
							REV	F

696999