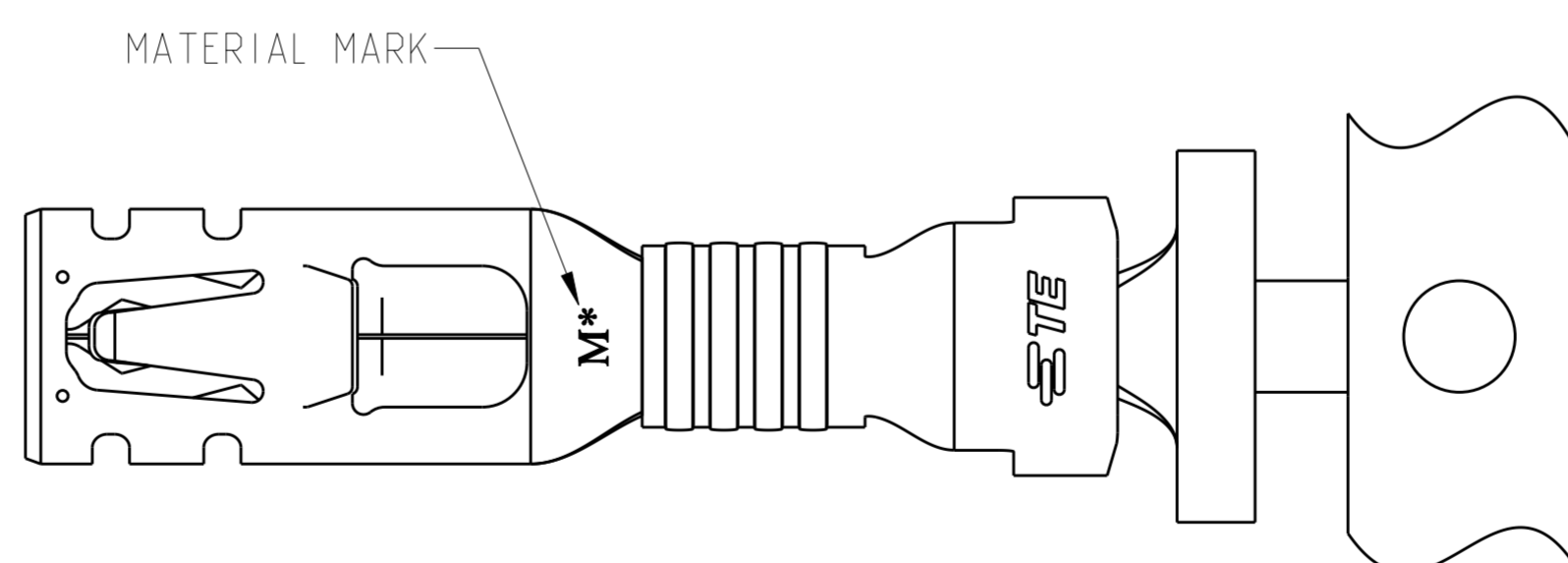
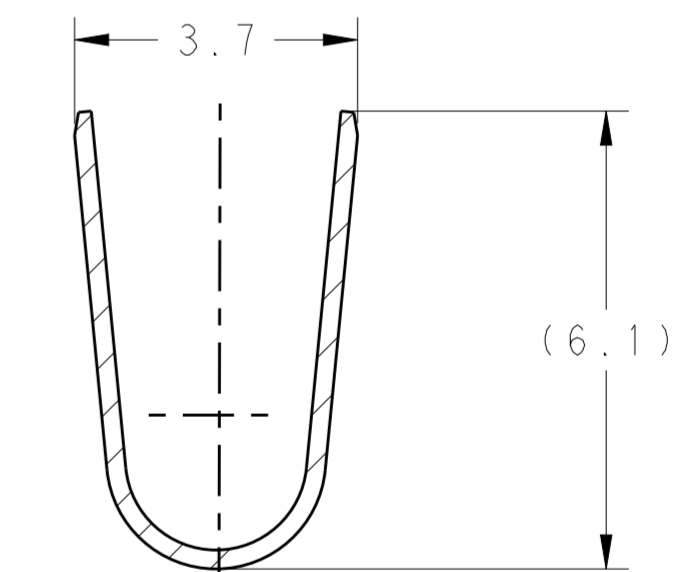
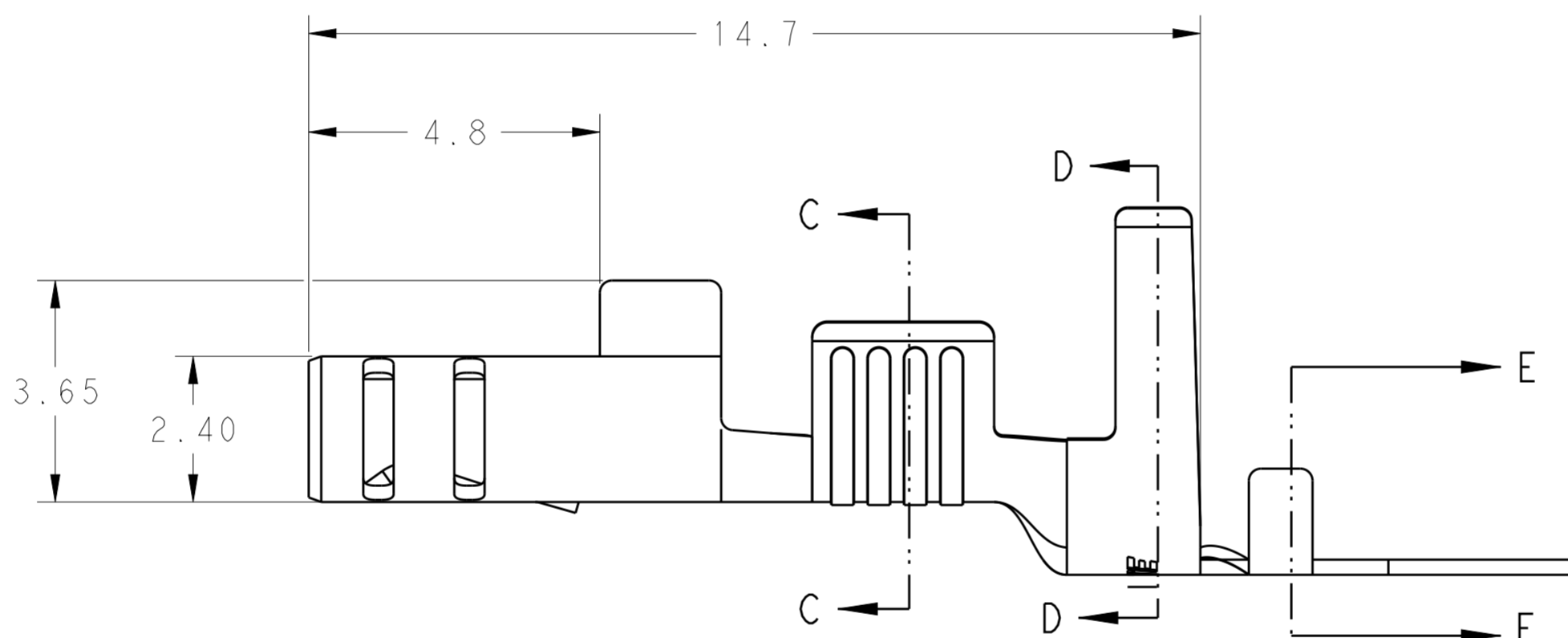
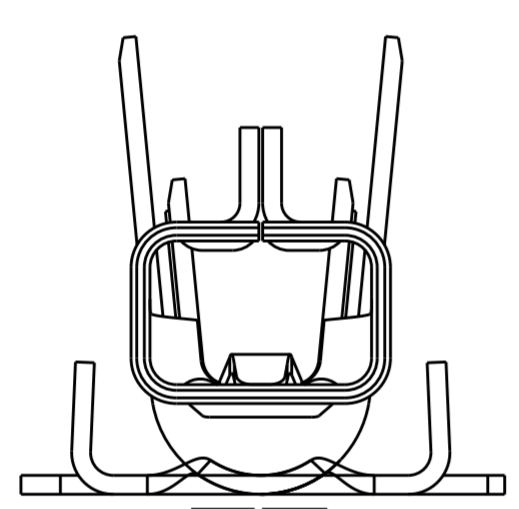
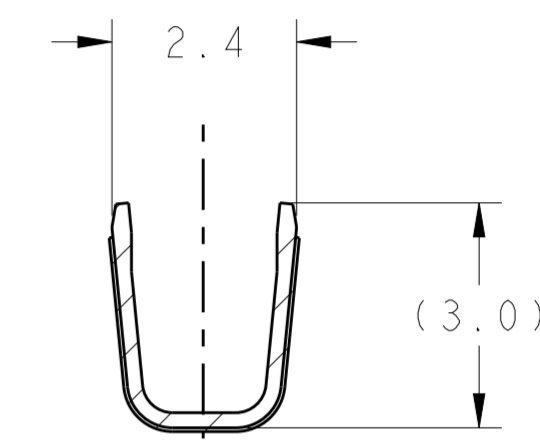
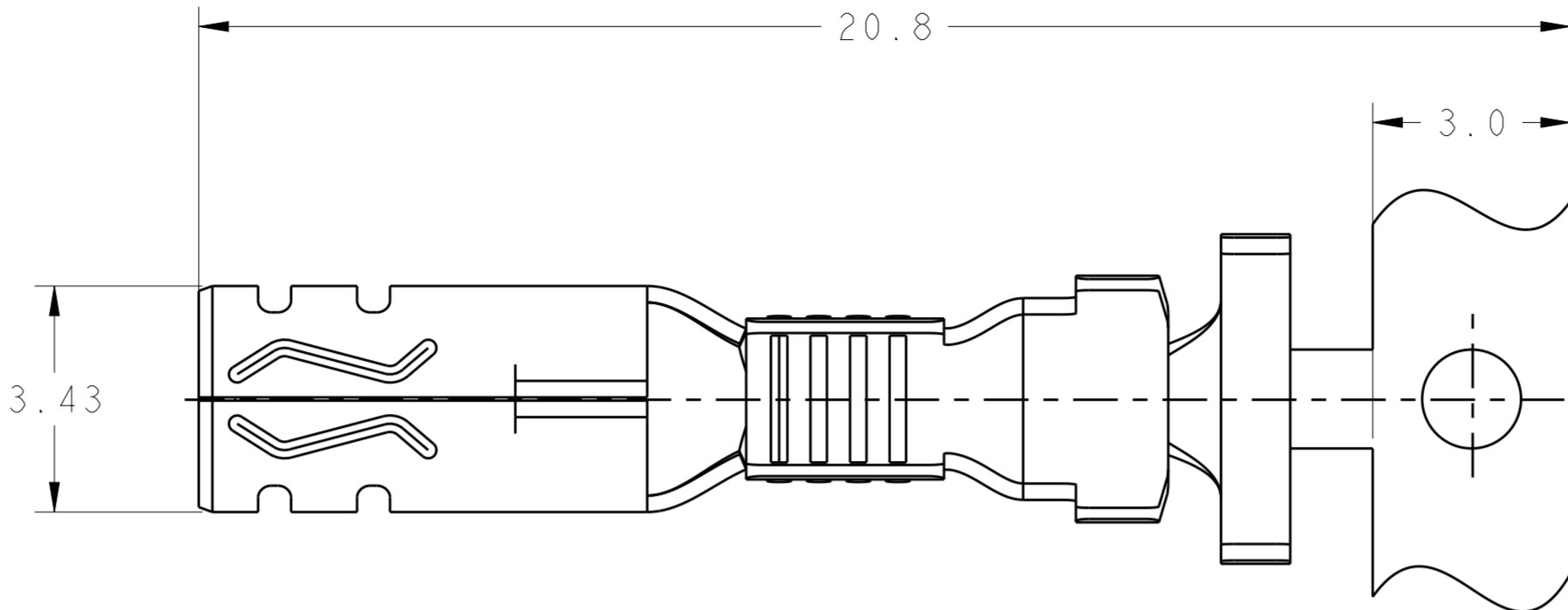
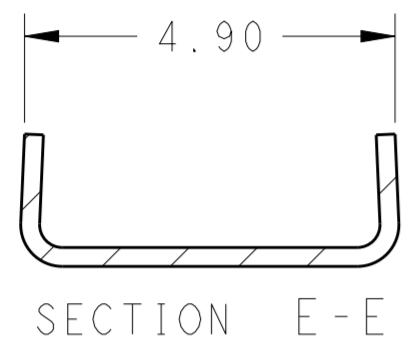


THIS DRAWING IS UNPUBLISHED. RELEASED FOR PUBLICATION 20  
 © COPYRIGHT 20 BY - ALL RIGHTS RESERVED.

REVISIONS				
P	LTR	DESCRIPTION	DATE	APVD
C1		REVISED PER ECR-16-017426	19DEC2016	BW RS



1. MATERIAL: COPPER ALLOY, PRE TIN PLATING.
2. APPLICABLE WIRE RANGE: 2X20AWG COPPER STRANDED.
3. APPLICABLE INSULATION DIAMETER: 2.40~2.70mm.
4. APPLICABLE MATED PLUG HOUSING P/N:  
 \*-1971773-\*/\*-1971776-\*/\*-1971876-\*/  
 /\*-2232265-\*/\*-2232266-\*/\*-2232357-\*

5. THIS PRODUCT HAS NOT COMPLETED VALIDATION TESTING.

HIGH(150°C)	M0	1971237-2
STANDARD(105°C)	M4	1971237-1
TEMP. RATING	MATERIAL MARK	PART NO

THIS DRAWING IS A CONTROLLED DOCUMENT.

DWN	TOMMY WU	9AUG2012
CHK	HAPYE WU	9AUG2012
APVD	YUHHONG MAO	9AUG2012
PRODUCT SPEC	108-106118	
APPLICATION SPEC	114-106118	
WEIGHT	-	

Customer Drawing

SCALE 5:1 SHEET 1 OF 1 REV C1

**STE** TE Connectivity

RECEPTACLE CONTACT  
POWER TRIPLE LOCK

SIZE CAGE CODE DRAWING NO RESTRICTED TO  
A200779 C-1971237 -