

5

4

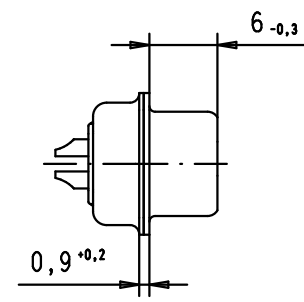
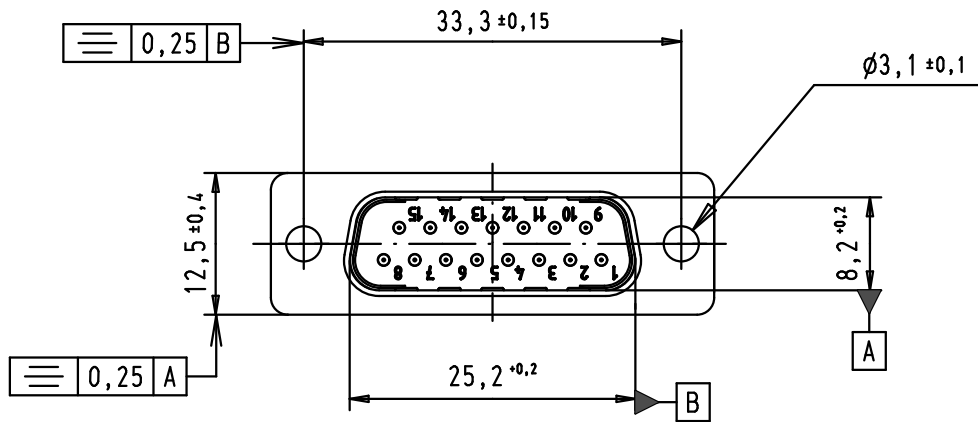
3

2

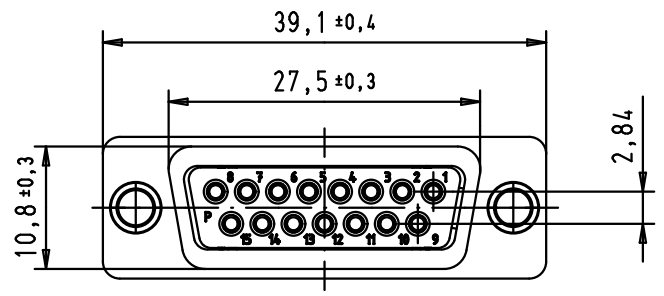
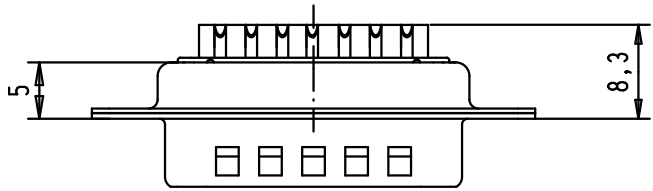
1

SPECIFICATION

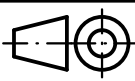

Performance level	PL2
Filter type	C
Capacitance	47pf±20%
Working Voltage	100v
Current Rating	7,5A
Insulation Resistance	>1GΩ



Solder buckets for AWG 20 Max



FREQUENCY (MHz)	ATTENUATION dB
5	-
10	-
50	-
100	-
500	30dB
1000	35dB

				Dat.	Name	 All Dim. in mm Orig. Size DIN A 4
			Detail.	8-JUL-02	CV	
			Insp.	12/01/12	JB	
			Stand.			
36283	12/01/12	SD				
33267	17/11/05	JMDR				
31058	8-JUL-02	CV				
Mod.	Dat.	Name	HARTING EURL F-95972 Paris			

D-Sub, male, straight
15 Poles, solder buckets,
with dimples and holes

Me?Mstab/
Scale
1.5:1

TB 09642217210

Blatt/ Page
1 / 1

Sub.

D

C

B

A