

# PRODUCT DATA DRAWING

| REVISION HISTORY |             |       |          |
|------------------|-------------|-------|----------|
| REV              | DESCRIPTION | DATE  | APPROVED |
| -                | DCN 37958   | 01/11 | STW      |
|                  |             |       |          |

**MATERIAL:**

**BODY:** STAINLESS STEEL PER AMS-5640, ALLOY UNS S30300, TYPE 1

**FERRULE:** BRASS PER ASTM B16, ALLOY UNS No. C36000

**CONTACT:** BERYLLIUM COPPER PER ASTM B196, ALLOY No. UNS C17300, TD04

**INSULATOR:** PTFE PER ASTM D1710, TYPE I, GRADE 1, CLASS B

**INSULATOR BUSHING:** POLYAMIDE-IMIDE (TORLON 4203)

**FINISH:**

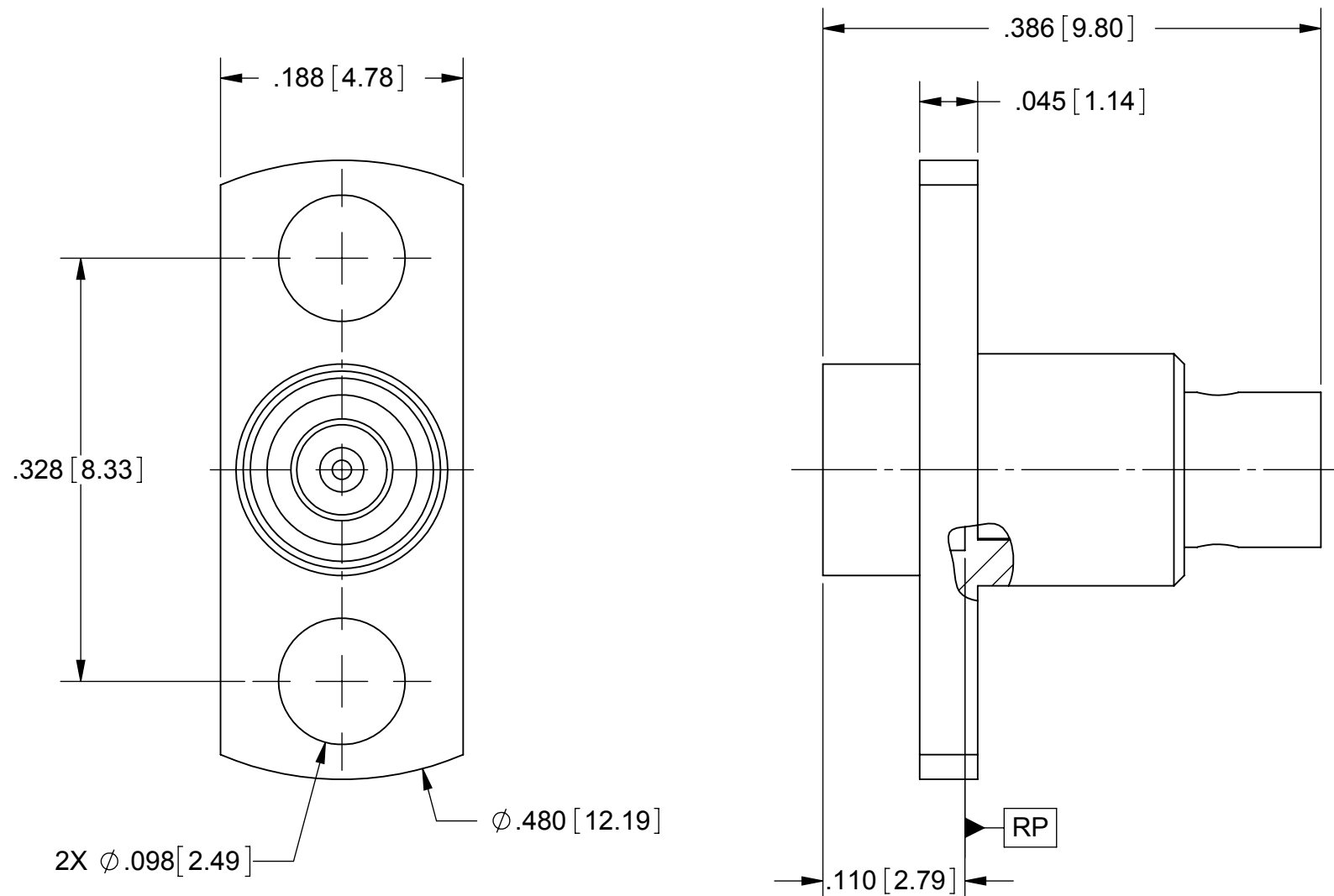
**BODY:** PASSIVATED PER AMS-2700.

**FERRULE & CONTACT:** GOLD PER ASTM B488, TYPE II, CODE C, CLASS 1.27, OVER NICKEL PER AMS-QQ-N-290, CLASS 1, .00005" MIN.

**PERFORMANCE:**

**IMPEDANCE:** 50 OHMS

**FREQ. RANGE:** DC TO 40.0 GHz



|                                                                                                                                                                                                               |                                                                                                                      |                                                                                                                                                                                                                                                                                                                                |                                                                                                 |
|---------------------------------------------------------------------------------------------------------------------------------------------------------------------------------------------------------------|----------------------------------------------------------------------------------------------------------------------|--------------------------------------------------------------------------------------------------------------------------------------------------------------------------------------------------------------------------------------------------------------------------------------------------------------------------------|-------------------------------------------------------------------------------------------------|
| MATERIAL: SEE NOTES                                                                                                                                                                                           | DIMENSIONS ARE IN INCHES TOLERANCES:<br>FRACTIONAL: $\pm 1/64$ ANGULAR: $X^\circ \pm 1'0''$<br>$X^\circ X' \pm 15''$ | UNLESS OTHERWISE SPECIFIED<br>1) ALL DIMENSIONS ARE IN INCHES (MILLIMETERS)<br>2) ALL DIMENSIONS ARE AFTER PLATING.<br>3) BREAK CORNERS & EDGES .005 R. MAX.<br>4) CHAM. 1ST & LAST THREADS.<br>5) SURFACE ROUGHNESS 63-MIL-STD-10.<br>6) DIA: 'S ON COMMON CENTERS TO BE CONCENTRIC WITHIN .005 T.I.R.<br>7) REMOVE ALL BURRS | <b>SV Microwave, Inc.</b><br>2400 Centrepark West Drive, Suite 100<br>West Palm Beach, FL 33409 |
| FINISH: SEE NOTES                                                                                                                                                                                             | DECIMAL: .X $\pm .030$<br>.XX $\pm .010$<br>.XXX $\pm .005$                                                          | INTERPRET DIMENSIONS AND TOLERANCES PER ASME Y14.5M - 1994                                                                                                                                                                                                                                                                     | TITLE: SMP SB MALE, 2-HOLE FLANGE MOUNT FOR $\phi .086$ SEMI-RIGID CABLE                        |
| SURFACE AREA: N/A                                                                                                                                                                                             | THIRD ANGLE PROJECTION                                                                                               | DRAWN: FED 01/17/11                                                                                                                                                                                                                                                                                                            | SIZE: B CAGE CODE: 95077 DWG. NO. SF1211-6023                                                   |
| PROPRIETARY<br>THE INFORMATION CONTAINED IN THIS DRAWING IS THE SOLE PROPERTY OF SV MICROWAVE, INC. ANY REPRODUCTION IN PART OR AS A WHOLE WITHOUT THE WRITTEN PERMISSION OF SV MICROWAVE, INC IS PROHIBITED. |                                                                                                                      | CHECKED: STW 01/17/11                                                                                                                                                                                                                                                                                                          | SCALE: 8:1                                                                                      |
|                                                                                                                                                                                                               |                                                                                                                      | APPROVED: STW 01/17/11                                                                                                                                                                                                                                                                                                         | SHEET 1 OF 1                                                                                    |