

Round/slip-on connection - Q-MU-T - 1640993

Please be informed that the data shown in this PDF Document is generated from our Online Catalog. Please find the complete data in the user's documentation. Our General Terms of Use for Downloads are valid (<http://download.phoenixcontact.com>)

Nut, plastic, to lock the distributor in the case of panel feed-throughs



Key commercial data

Packing unit	1 pc
Minimum order quantity	10 pc
Weight per Piece (excluding packing)	9.02 GRM
Custom tariff number	39269097
Country of origin	Germany

Technical data

Product type	Mounting material
Approval	GOST

Classifications

eCl@ss

eCl@ss 4.0	27140815
eCl@ss 4.1	27140815
eCl@ss 5.0	27143423
eCl@ss 5.1	27143423
eCl@ss 6.0	27143423
eCl@ss 7.0	27449001
eCl@ss 8.0	27449001

ETIM

ETIM 2.0	EC000516
----------	----------

Round/slip-on connection - Q-MU-T - 1640993

Classifications

ETIM

ETIM 3.0	EC000516
ETIM 4.0	EC000516
ETIM 5.0	EC000940

UNSPSC

UNSPSC 6.01	30211923
UNSPSC 7.0901	39121522
UNSPSC 11	39121522
UNSPSC 12.01	39121522
UNSPSC 13.2	39121522

Approvals

Approvals


Approvals

GOST

Ex Approvals

Approvals submitted

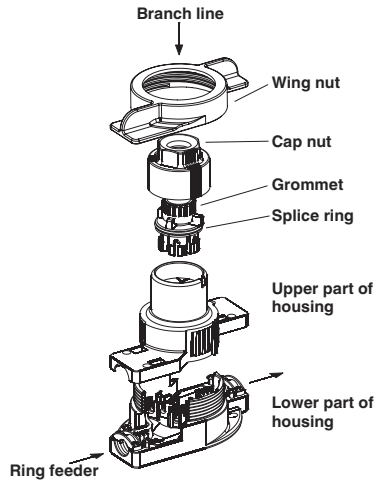
Approval details

GOST 
--

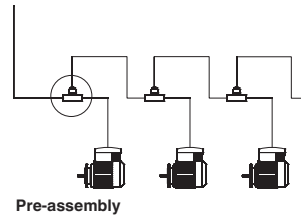
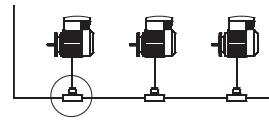
Drawings

Round/slip-on connection - Q-MU-T - 1640993

Explosion drawing



Application example



Round/slip-on connection - Q-MU-T - 1640993

Dimensioned drawing

