


**CM 50-LG/H 12,5/BO BK**

Order No.: 2943592

<http://eshop.phoenixcontact.de/phoenix/treeViewClick.do?UID=2943592>Electronic module, for PCB insertion, with a 12.5 mm tall covering  
hood**Commercial data**

GTIN (EAN)	 4 017918 081195
sales group	F030
Pack	5 pcs.
Customs tariff	85369010
Catalog page information	Page 600 (CC-2009)

**Product notes**WEEE/RoHS-compliant since:  
03/01/2005

<http://www.download.phoenixcontact.com>  
Please note that the data given here has been taken from the online catalog. For comprehensive information and data, please refer to the user documentation. The General Terms and Conditions of Use apply to Internet downloads.

**Technical data****General**

Housing type	Complete housing
Housing material	Polycarbonate fiber reinforced
Color	black

### Dimensions / positions

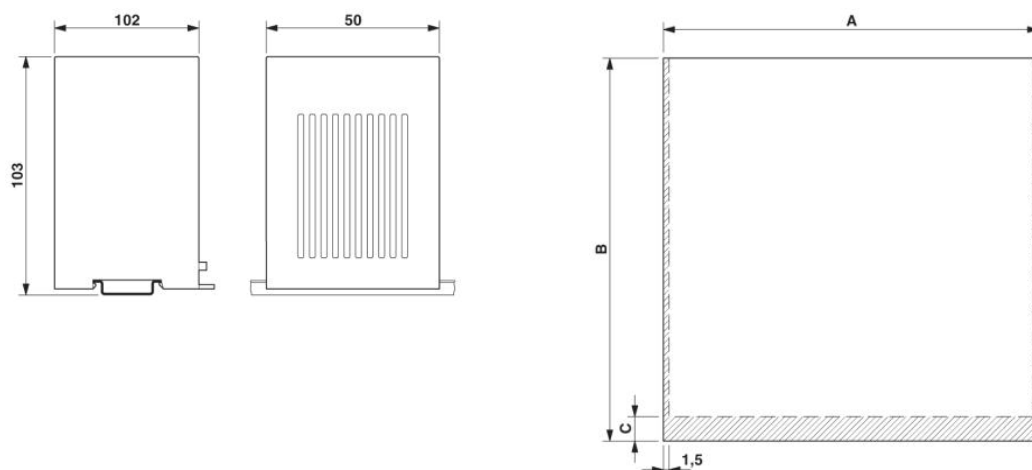
Length	102 mm
Width	50 mm

### Technical data

Ambient temperature (operation)	-40 °C ... 125 °C
Inflammability class acc. to UL 94	V0
Power dissipation at 20°C in the horizontal mounting position	25 W 38.3 W

### Diagrams/Drawings

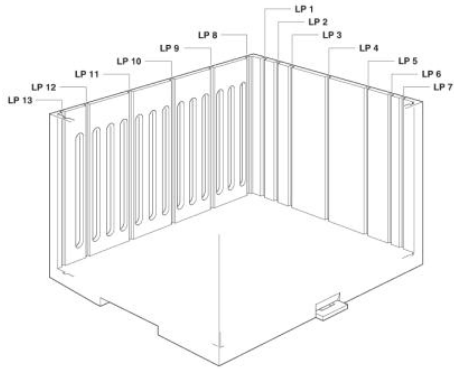
#### Dimensioned drawing



PCB 1, 7: Dimension A: 47.5 mm; B: 102.0 mm; C: 6.5 mm  
PCB 8, 13: Dimension A: 100.0 mm; B: 102.0 mm; C: 6.5 mm  
PCB 10: Dimension A: 100.0 mm; B: 92.3 mm; C: 0 mm

Schematic diagram

---



**Address**

PHOENIX CONTACT Deutschland GmbH  
Flachmarktstr. 8  
32825 Blomberg, Germany  
Phone +49 5235 3 12000  
Fax +49 5235 3 41200  
<http://www.phoenixcontact.de>



© 2011 Phoenix Contact  
Technical modifications reserved;