

## SUMMARY

### # Wires

|         |   |
|---------|---|
| Low     | 0 |
| High    | 0 |
| Coax    | 0 |
| Triax   | 0 |
| Quad    | 0 |
| Fiber   | 2 |
| Fluidic | 0 |



*Image is for illustrative purpose only*

### Download

[Request a quote](#)

[Catalog](#)

|                  |                 |
|------------------|-----------------|
| Series           | 3W              |
| Termination type | Hybrid contacts |
| IP rating        | 68              |
| Cable Ø          | 0.00 - 0.00 mm  |
| Matching parts   | EVG.3W.93B.CLL  |
| Status           |                 |
| Alternative part |                 |

## TECHNICAL DETAILS

### Mechanics

|                   |   |
|-------------------|---|
| Shell Style/Model | FV_/Z*: Straight plug, cable collet and nut for fitting a bend relief                       |
| Keying            |   |
| Housing Material  | Brass (chrome plated) shell and collet nut, nickel plated brass latch sleeve and mid pieces |
| Cable Fixing      | ∅0 - 0 mm   |
| Variant           | Z : Nut for fitting a bend relief   |

### Performance

|               |
|---------------|
| Configuration |
| Insulator     |
| Rated Current |

### Specifications

Contact Type: Solder

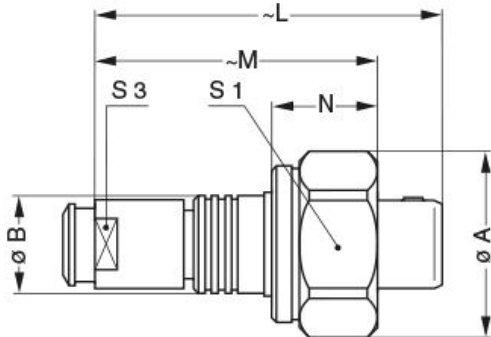
### Others

Pressure: 30 bars  
IP Rating: 68

---

# DRAWINGS

Draws



Dimensions

|     | A    | B    | L    | M    | N    | S1   | S3   |
|-----|------|------|------|------|------|------|------|
| mm. | 27.8 | 17   | 60.5 | 46.9 | 16.5 | 26   | 15   |
| in. | 1,09 | 0,67 | 2,38 | 1,85 | 0,65 | 1,02 | 0,59 |

---

# RECOMMENDED BY LEMO

Tools

None

Cables