

# CliQ II DIN Rail Power Supply

## 24V 240W 2 Phase / DRP-24V240W2BN



### Highlights & Features

- Designed for single phase input 180-305Vac (for L-N) or 2 of 3-Phase system 2 x 180-550Vac (for L-L) or 254-780Vdc
- Compact and corrosion resistant aluminium casing
- Up to 90.0% efficiency and Power Boost of 120% for 3 seconds
- Wide operating temperature range from -30°C to +70°C
- Built-in constant current and hiccup during overload protection
- Built-in DC OK Contact
- Conformal coating on PCBAs to protect against common dust and chemical pollutants

### Safety Standards



CB Certified for worldwide use

<b>Model Number:</b>	DRP-24V240W2BN
<b>Unit Weight:</b>	0.81 kg (1.79 lb)
<b>Dimensions (L x W x D):</b>	124 x 60 x 117 mm (4.88 x 2.36 x 4.61 inch)

### General Description

The CliQ II DIN rail power supply series with a new model offering two phase 2 x 180-550Vac (for L-L) or single phase 180-305Vac (for L-N) for 24V/5A output. The DRP-24V240W2BN has safety approvals for single phase and two phase input according to IEC/EN/UL 60950-1 and UL 508 safety standards. The product features wide AC input voltage for single or two phase range. Such feature can protect the power supply from damage when user accidentally apply two phase input on the single phase power supply. Other advantages include reduced external input protection components and improved installation time since there is only two phase connection. The product performs under wide operating temperature from -30°C to 70°C with 2-Phase of 3-Phase application (for L-L). Conformal coating is applied on the PCBA to protect against common dust and chemical pollutant to withstand harsh industrial environments. Other major safety approvals included.

### Model Information

#### CliQ II DIN Rail Power Supply

Model Number	Input Voltage Range	Rated Output Voltage	Rated Output Current
DRP-24V240W2BN	2 x 180-550Vac (2-Phase) 180-305Vac (Single Phase) 254-780Vdc	24Vdc	10.0A

### Model Numbering

DR	P –	24V	240W	2	B	N
DIN Rail	Power Supply	Output Voltage	Output Power	Two Phase	CliQ II Series	N - Metal Case, <u>without</u> Class I, Div 2 and ATEX

# CliQ II DIN Rail Power Supply

## 24V 240W 2 Phase / DRP-24V240W2BN

### Specifications

#### Input Ratings / Characteristics

Nominal Input Voltage	2 x 200-500Vac (2-Phase) 200-277Vac (Single Phase)	
Input Voltage Range	2 x 180-550Vac (2-Phase) 180-305Vac (Single Phase)	
Nominal Input Frequency	50-60Hz	
Input Frequency Range	47-63Hz	
DC Input Voltage Range*	254-780Vdc	
Input Current	< 2.00A @ 2 x 230Vac, < 1.00A @ 2 x 400Vac	
Efficiency at 100% Load	> 90.0% @ 2 x 400Vac	
Max Power Dissipation	0% load	< 8.5W @ 2 x 200Vac, < 9.5W @ 2 x 500Vac
	100% load	< 26.5W @ 2 x 200Vac, < 21.5W @ 2 x 500Vac
Max Inrush Current (Cold Start)	< 50A @ 2 x 200Vac & 2 x 500Vac	
Leakage Current	< 3.5mA @ 500Vac	

\*Safety approval according to IEC/EN/UL 60950-1.

#### Output Ratings / Characteristics\*\*

Nominal Output Voltage	24Vdc	
Factory Set Point Tolerance	24Vdc $\pm$ 2%	
Output Voltage Adjustment Range	24-28Vdc	
Output Current	10.0A (continuously operating at 24V) 12.0A (Power Boost for 3 seconds at 24V, refer to the details in the Functions section)	
Output Power	240W (continuously operating at 24V) 288W (Power Boost for 3 seconds at 24V, refer to the details in the Functions section)	
Line Regulation	< 0.5% typ. (@ 200-550Vac input, 100% load)	
Load Regulation	< 1% typ. (@ 200-550Vac input, 0-100% load)	
PARD*** (20MHz)	< 150mVpp @ -10°C and above < 200mVpp @ below -10°C	
Rise Time	< 100ms @ nominal input (100% load)	
Start-up Time	< 1,000ms @ nominal input (100% load)	
Hold-up Time	>18ms @ 2 x 230Vac (100% load) > 30ms @ 2 x 400Vac (100% load)	
Dynamic Response (Overshoot & Undershoot O/P Voltage)	$\pm$ 5% @ 0-100% load	
Start-up with Capacitive Loads	10,000 $\mu$ F Max	
Functional	DC OK Relay Contact	30V / 1A Max The relay is usually closed when the output is normal

\*\*For power de-rating from 50°C to 70°C, see power de-rating on page 3.

\*\*\*PARD is measured with an AC coupling mode, 5cm wires, and in parallel with 0.1 $\mu$ F ceramic capacitor & 47 $\mu$ F electrolytic capacitor.

# CliQ II DIN Rail Power Supply

## 24V 240W 2 Phase / DRP-24V240W2BN

### Mechanical

Case Cover / Chassis	Aluminium	
Dimensions (L x W x D)	124 x 60 x 117 mm (4.88 x 2.36 x 4.61 inch)	
Unit Weight	0.81 kg (1.79 lb)	
Indicator	Green LED (DC OK)	
Cooling System	Convection	
Terminal	Input	3 Pins (Rated 600V/35A)
	Output	4 Pins (Rated 300V/28A)
Wire	Input	AWG 18-8
	Output	AWG 16-12
Mounting Rail	Standard TS35 DIN Rail in accordance with EN 60715	
Noise (1 Meter from power supply)	Sound Pressure Level (SPL) < 40dBA	

### Environment

Surrounding Air Temperature	Operating	-30°C to +70°C	
	Storage	-40°C to +85°C	
Power De-rating	Vertical Mounting	> 50°C de-rate power by 2.25% / °C	
	Horizontal Mounting	> 30°C de-rate power by 2% / °C	
	Input Voltage	< 200Vac de-rate power by 0.5% / Vac	
Operating Humidity	5 to 95% RH (Non-Condensing)		
Operating Altitude	0 to 2,500 Meters (8,200 ft.) for ITE application (@ 50°C) 0 to 2,000 Meters (6,560 ft.) for Industrial application (@ 50°C)		
Shock Test	Non-Operating	IEC 60068-2-27, 30G (300m/S <sup>2</sup> ) for a duration of 18ms, 1 times per direction, 2 times in total	
Vibration	Non-Operating	IEC 60068-2-6, 10Hz to 500Hz @ 30m/S <sup>2</sup> (3G peak); 60 min per axis for all X, Y, Z direction	
Over Voltage Category	III	According to IEC/EN 62477-1 / EN 60204-1 (clearance and creepage distances) and IEC 62103 (safety part)	
Pollution Degree	2		

### Protections

Overvoltage	32V ±10%, SELV Output, Hiccup Mode, Non-Latching (Auto-Recovery)
Overload / Overcurrent	> 120-180% of rated load current, Constant current, Hiccup Mode (Auto-Recovery)
Over Temperature	< 80°C Surrounding Air Temperature @ 100% load, Non-Latching (Auto-Recovery)
Short Circuit	Hiccup Mode, Non-Latching (Auto-Recovery when the fault is removed)
Internal Fuse	T3.15A
Degree of Protection	IP20
Protection Against Shock	Class I with PE* connection

\*PE: Primary Earth

# CliQ II DIN Rail Power Supply

## 24V 240W 2 Phase / DRP-24V240W2BN

### Reliability Data

MTBF	> 500,000 hrs. as per Telcordia SR-332 I/P: 2 x 200Vac & 500Vac, O/P: 100% load, Ta: 25°C
Expected Cap Life Time	10 years (2 x 200Vac & 500Vac, 50% load @ 40°C)

### Safety Standards / Directives

Electrical Equipment of Machines		EN 60204-1 (over voltage category III)
Electrical Equipment for Use in Electrical Power Installations		IEC/EN 62477-1 / IEC 62103
Safety Entry Low Voltage		PELV* (EN 60204-1), SELV (EN 60950-1)
Electrical Safety	SIQ Bauart UL/cUL recognized CB scheme	EN 60950-1 UL 60950-1 and CSA C22.2 No. 60950-1 (File No. E191395) IEC 60950-1
Industrial Control Equipment	UL/cUL listed CSA	UL 508 and CSA C22.2 No. 107.1-01 (File No. E315355) CSA C22.2 No. 107.1-01 (File No. 181564)
CE		In conformance with EMC Directive 2014/30/EU (only AC input) and Low Voltage Directive 2014/35/EU
Material and Parts		RoHS Directive 2011/65/EU Compliant (EN 50581)
Galvanic Isolation	Input to Output	4.0KVac
	Input to Ground	2.0KVac
	Output to Ground	1.5KVac

\*Output must be earthed in the final unit in order to comply with PELV requirements according to standard EN 60204-1.

# CliQ II DIN Rail Power Supply

## 24V 240W 2 Phase / DRP-24V240W2BN

## EMC

Emissions (CE & RE)		CISPR 22, EN 55022, CISPR 11, EN 55011, FCC Title 47: Class B
Component Power Supply for General Use		EN 61204-3
Immunity		Generic Standards: EN 55024, EN 61000-6-2
Electrostatic Discharge	IEC 61000-4-2	Level 4 Criteria A <sup>1)</sup> Air Discharge: 15kV Contact Discharge: 8kV
Radiated Field	IEC 61000-4-3	Level 3 Criteria A <sup>1)</sup> 80MHz-1GHz, 10V/M, 80% modulation (1kHz) 1.4GHz-2GHz, 3V/M, 80% modulation (1kHz) 2GHz-2.7GHz, 1V/M, 80% modulation (1kHz)
Electrical Fast Transient / Burst	IEC 61000-4-4	Level 3 Criteria A <sup>1)</sup> 2kV
Surge	IEC 61000-4-5	Level 3 Criteria A <sup>1)</sup> Common Mode <sup>2)</sup> : 2kV Differential Mode <sup>3)</sup> : 1kV
Conducted	IEC 61000-4-6	Level 3 Criteria A <sup>1)</sup> 150kHz-80MHz, 10Vrms
Power Frequency Magnetic Fields	IEC 61000-4-8	Criteria A <sup>1)</sup> 30A/Meter
Voltage Dips	IEC 61000-4-11	100% dip; 1 cycle (20ms); Self Recoverable
Low Energy Pulse Test (Ring Wave)	IEC 61000-4-12	Level 3 Criteria A <sup>1)</sup> Common Mode <sup>2)</sup> : 2kV Differential Mode <sup>3)</sup> : 1kV
Harmonic Current Emission		IEC/EN 61000-3-2, Class A
Voltage Fluctuation and Flicker		IEC/EN 61000-3-3

1) Criteria A: Normal performance within the specification limits

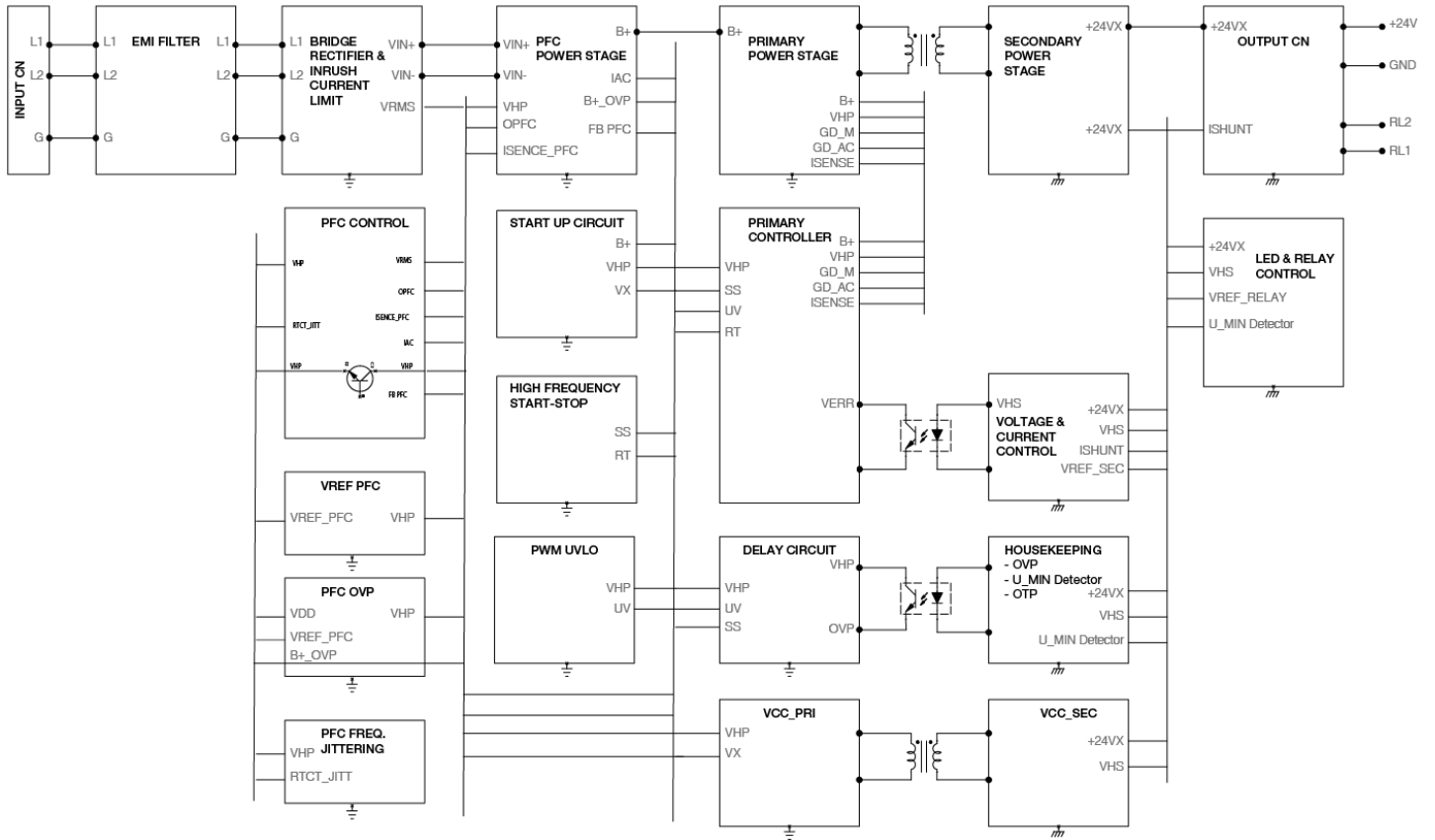
2) Asymmetrical: Common mode (Line to earth)

3) Symmetrical: Differential mode (Line to line)

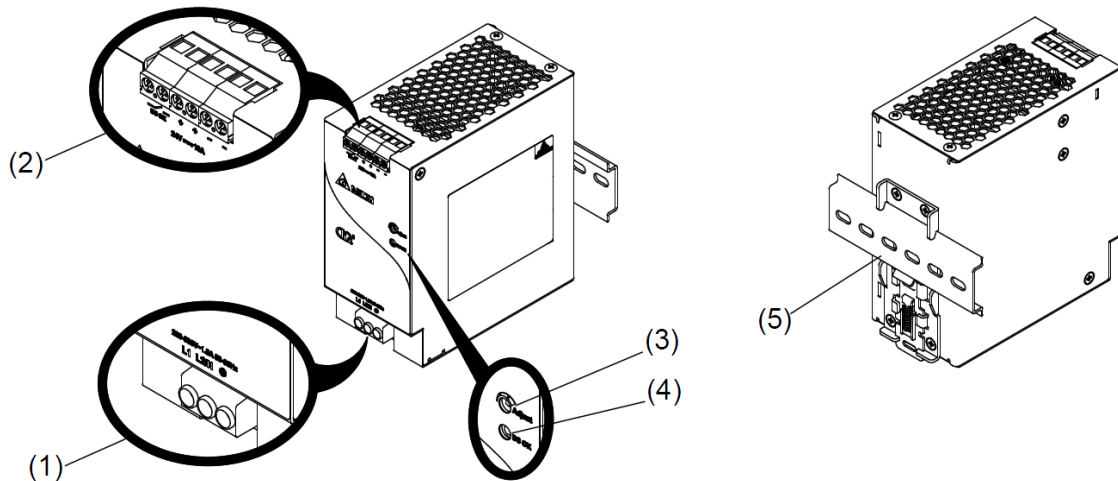
# CliQ II DIN Rail Power Supply

## 24V 240W 2 Phase / DRP-24V240W2BN

### Block Diagram



### Device Description



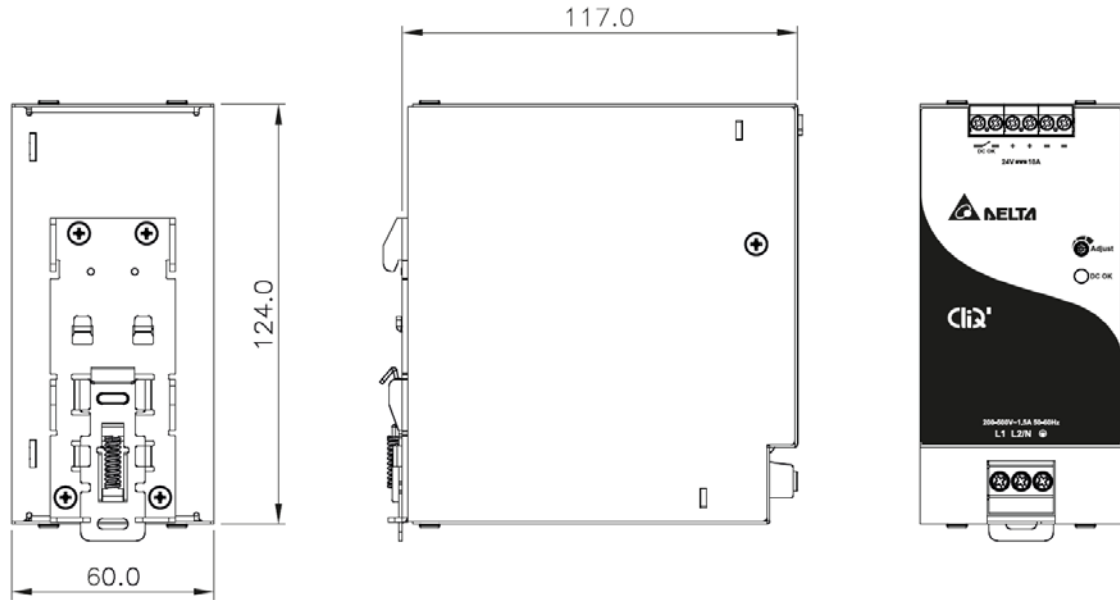
- 1) Input terminal block connector
- 2) Output terminal block connector
- 3) DC Voltage adjustment potentiometer
- 4) DC OK LED (Green)
- 5) Universal mounting rail system

# CliQ II DIN Rail Power Supply

## 24V 240W 2 Phase / DRP-24V240W2BN

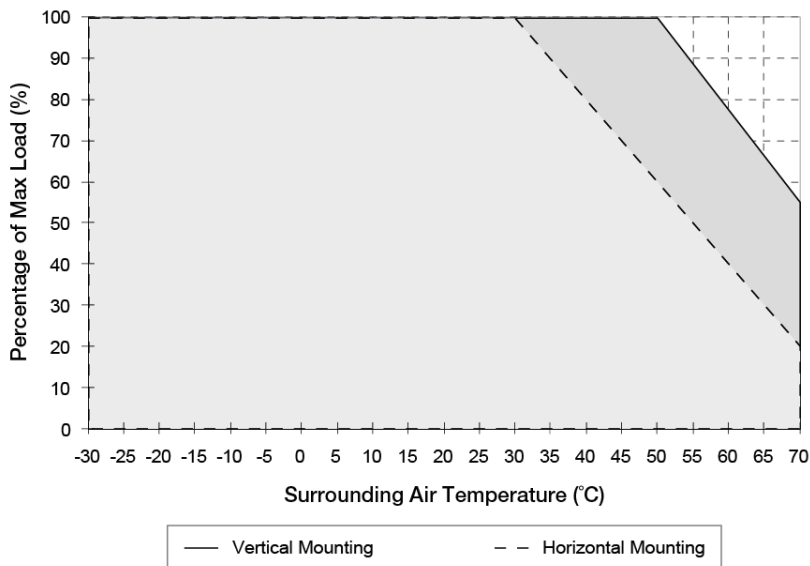
### Dimensions

L x W x D: 124 x 60 x 117 mm (4.88 x 2.36 x 4.61 inch)



### Engineering Data

#### Output Load De-rating VS Surrounding Air Temperature



**Fig. 1 De-rating for Vertical Mounting Orientation**  
 > 50°C de-rate power by 2.25% / °C

**De-rating for Horizontal Mounting Orientation**  
 > 30°C de-rate power by 2% / °C

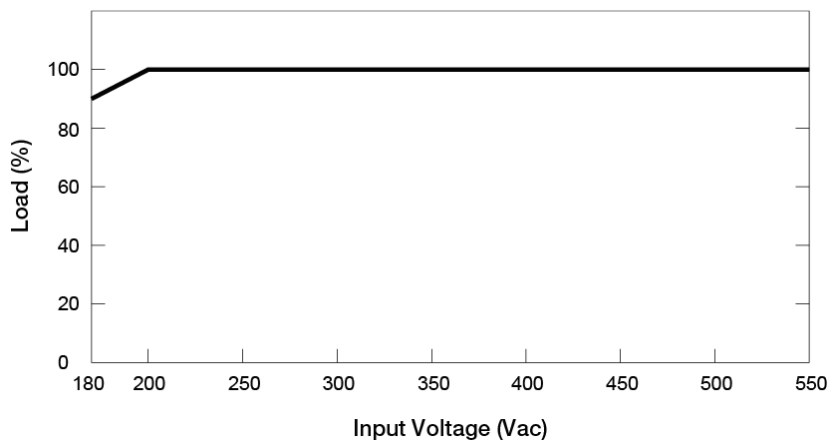
#### Note

1. Power supply components may degrade, or be damaged, when the power supply is continuously used outside the shaded region, refer to the graph shown in Fig. 1.
2. If the output capacity is not reduced when the surrounding air temperature >50°C (Vertical) or >30°C (Horizontal), the device may run into Over Temperature Protection. When activated, the output voltage will go into bouncing mode and will recover when the surrounding air temperature is lowered or the load is reduced as far as necessary to keep the device in working condition.
3. In order for the device to function in the manner intended, it is also necessary to keep a safety distance as recommended in the safety instructions while the device is in operation.
4. Depending on the surrounding air temperature and output load delivered by the power supply, the device can be very hot!
5. If the device has to be mounted in any other orientation, please contact [info@deltapsu.com](mailto:info@deltapsu.com) for more details.

# CliQ II DIN Rail Power Supply

## 24V 240W 2 Phase / DRP-24V240W2BN

### Output Load De-rating VS Input Voltage



■ No output power de-rating for the input voltage range from 200Vac to 550Vac

### Assembly & Installation

The power supply unit (PSU) can be mounted on 35mm DIN rails in accordance with EN 60715. For Vertical Mounting, the device should be installed with input terminal block at the bottom. For Horizontal Mounting, the device should be installed with input terminal block on the left side.

Each device is delivered ready to install.

#### Mounting

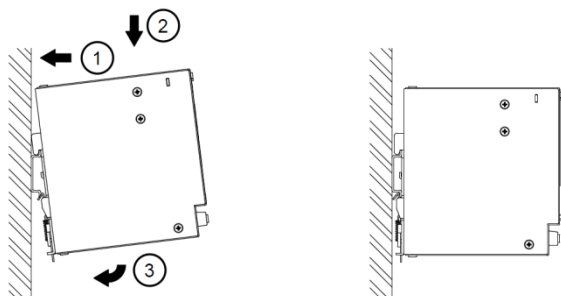


Fig. 2.1 Mounting

Snap on the DIN rail as shown in Fig. 2.1:

1. Tilt the unit upwards and insert it onto the DIN rail.
2. Push downwards until stopped.
3. Press against the bottom front side for locking.
4. Shake the unit slightly to ensure that it is secured.

#### Dismounting

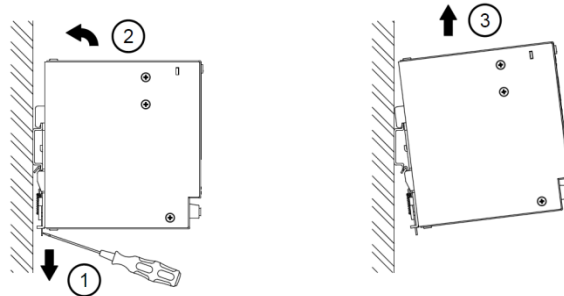


Fig. 2.2 Dismounting

To uninstall, pull or slide down the latch with screw driver as shown in Fig. 2.2. Then slide the power supply unit (PSU) in the opposite direction, release the latch and pull out the power supply unit (PSU) from the rail.

In accordance to EN 60950 / UL 50950, flexible cables require ferrules.

Use appropriate copper cables designed to sustain operating temperature of:

1. 60°C, 60°C / 75°C for USA
2. At least 75°C for ambient not exceeding 30°C, and 90°C for ambient exceeding 30°C for Canada.

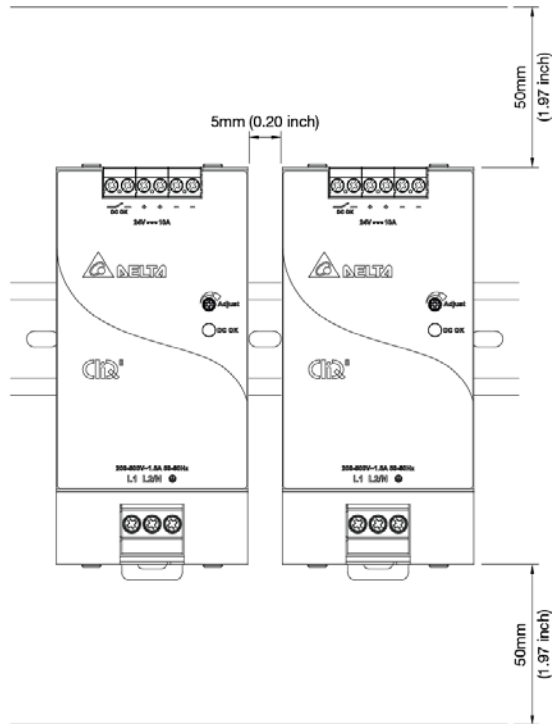


# CliQ II DIN Rail Power Supply

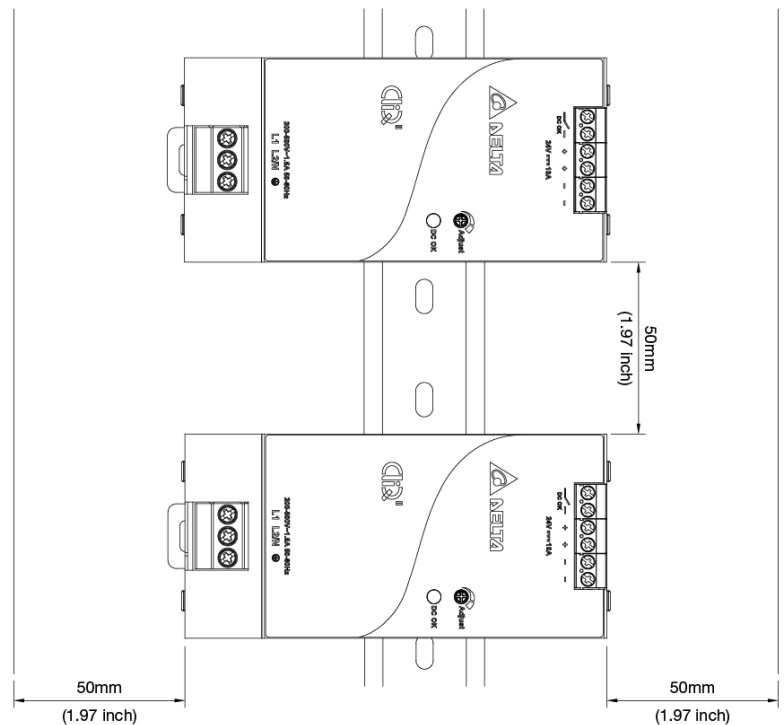
## 24V 240W 2 Phase / DRP-24V240W2BN

### Safety Instructions

#### ■ Vertical Mounting



#### ■ Horizontal Mounting



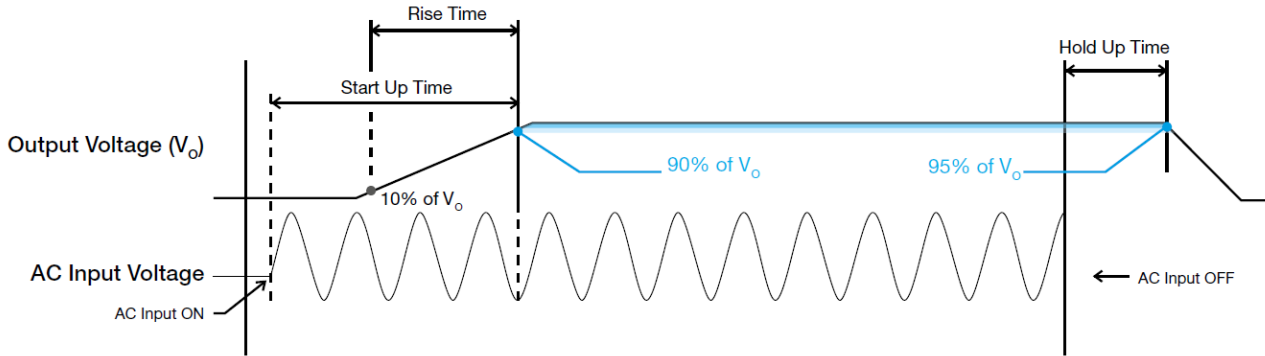
- ALWAYS switch mains of input power OFF before connecting and disconnecting the input voltage to the unit. If mains are not turned OFF, there is risk of explosion / severe damage.
- To guarantee sufficient convection cooling, please refer to the following instructions to ensure sufficient clearance around the device.  
**Vertical Mounting:** 50mm (1.97 inch) above and below the device as well as a lateral distance of 5mm (0.20 inch) to other units.  
**Horizontal Mounting:** 50mm (1.97 inch) above and below the device as well as a lateral distance of 50mm (1.97 inch) to other units.
- Note that the enclosure of the device can become very hot depending on the surrounding air temperature and load of the power supply. Risk of burns!
- The main power must be turned off before connecting or disconnecting wires to the terminals.
- DO NOT insert any objects into the unit.
- Hazardous voltages may be present for up to 5 minutes after the input mains voltage is disconnected. Do not touch the unit during this time.
- The power supplies unit should be installed in minimum IP54 rated enclosure.
- The power supplies are built in units and must be installed in a cabinet or room (condensation free environment and indoor location) that is relatively free of conductive contaminants.
- CAUTION: Double pole/neutral fusing.
- CAUTION: "For use in a controlled environment".

# CliQ II DIN Rail Power Supply

## 24V 240W 2 Phase / DRP-24V240W2BN

### Functions

#### ■ Graph illustrating the Start-up Time, Rise Time, and Hold-up Time



#### Start-up Time

The time required for the output voltage to reach 90% of its final steady state set value, after the input voltage is applied.

#### Rise Time

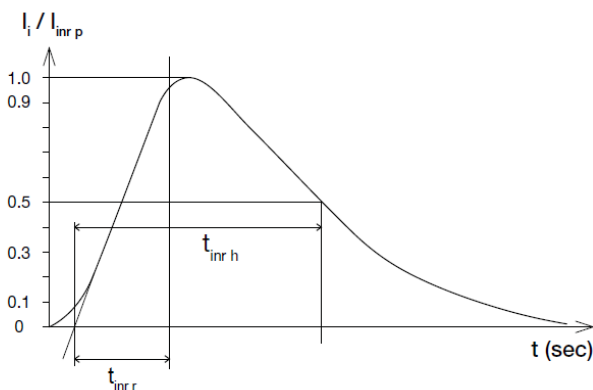
The time required for the output voltage to change from 10% to 90% of its final steady state set value.

#### Hold-up Time

Time between the collapse of the AC input voltage, and the output falling to 95% of its steady state set value.

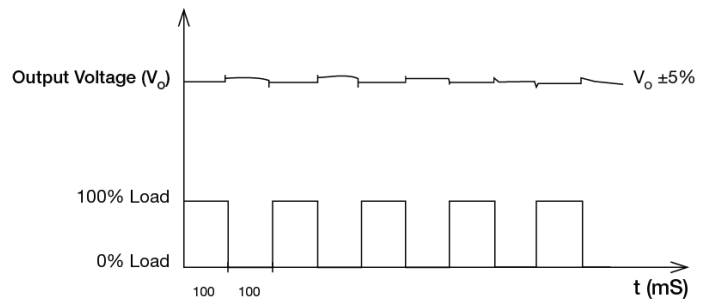
#### Inrush Current

Inrush current is the peak, instantaneous, input current measured and, occurs when the input voltage is first applied. For AC input voltages, the maximum peak value of inrush current will occur during the first half cycle of the applied AC voltage. This peak value decreases exponentially during subsequent cycles of AC voltage.



#### Dynamic Response

The power supply output voltage will remain within  $\pm 5\%$  of its steady state value, when subjected to a dynamic load from 0 to 100% of its rated current.

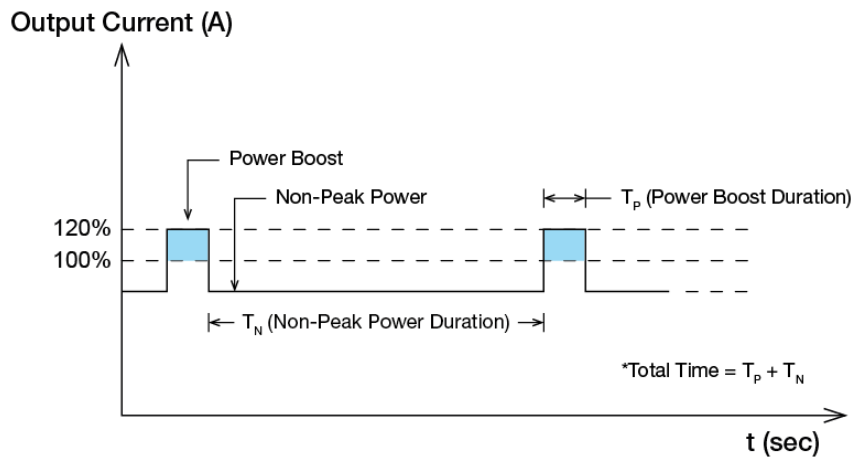


# CliQ II DIN Rail Power Supply

## 24V 240W 2 Phase / DRP-24V240W2BN

### Power Boost

Power Boost is the reserve power available constantly that allows reliable startup to support sudden and short spike of loads with high inrush current typically during turn on to remove the need of more expensive higher rated power supply unit. After the output has reached its steady state set value, the power supply can support surge loads with a higher short-term power demand up to 120% of maximum rated load ( $I_o$  Max), for a maximum duration of 3 seconds. The Power Boost is also available to repeatedly basis with according to the condition of an average (R.M.S) output power shall not exceed continuous operating condition or refer to duty cycle calculation below.



$$Duty\ cycle\ (\%) = \frac{T_p}{Total\ Time}$$

$$Average\ Output\ Power\ (P_{Avg}) = \frac{(Power\ Boost \times T_p) + (Non-Peak\ Power \times T_N)}{Total\ Time}$$

OR

$$Non-Peak\ Power = \frac{(P_{Avg} \times Total\ Time) - (Power\ Boost \times T_p)}{T_N}$$

### ■ An example of Power Boost and Average Output Power

Power Boost	Peak Power (W <sub>P</sub> )	Power Boost Duration (T <sub>P</sub> )	Duty Cycle	Non-Peak Power (W <sub>N</sub> )	Non-Peak Power Duration (T <sub>N</sub> )	Total Time (T)
120%	288	3 sec	10%	235W	27 sec	30 sec
120%	288	3 sec	15%	232W	17 sec	20 sec

It is not recommended to prolong the duration of Power Boost to be longer than the specified duty cycle calculation, this may cause damage to the PSU.

### External Input Protection Device

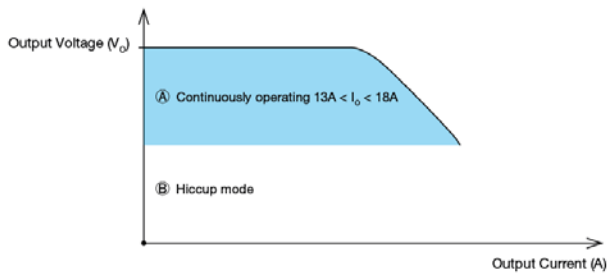
The unit is protected at the L pin, with an internal fuse that cannot be replaced. The power supply has been tested and approved on 20A (UL) and 16A (IEC) branch circuits without additional protection device. An external protection device is only required if the supplying branch has an ampacity greater than above. Thus, if an external protective device is necessary, or, utilized, please refer a minimum value in instruction sheet with B or C characteristic breaker.

# CliQ II DIN Rail Power Supply

## 24V 240W 2 Phase / DRP-24V240W2BN

### Overload & Overcurrent Protections (Auto-Recovery)

The power supply's Overcurrent (OCP) Protection will be activated when output current is  $> 13A$  typ. In such occurrence, the  $V_O$  will start to droop and once the output voltage is below  $18V_{dc}$  typ., the power supply will go into "Hiccup mode" (Auto-Recovery). The power supply will recover once the fault condition of the OCP is removed and  $I_O$  is back within the specifications.

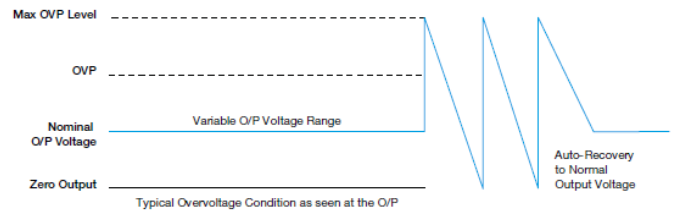


### Short Circuit Protection (Auto-Recovery)

The power supply's output OLP/OCP function also provides protection against short circuits. When a short circuit is applied, the output current will operate in "Hiccup mode", as shown in the illustration in the OLP/OCP section on this page. The power supply will return to normal operation after the short circuit is removed.

### Overvoltage Protection (Auto-Recovery)

The power supply's overvoltage circuit will be activated when its internal feedback circuit fails. The output voltage shall not exceed its specifications defined on Page 3 under "Protections".



### Over Temperature Protection (Auto-Recovery)

As described in load de-rating section, the power supply also has Over Temperature Protection (OTP). In the event of a higher operating temperature at 100% load, the power supply will run into OTP when the operating temperature is beyond what is recommended in the de-rating graph. When activated, the output voltage will go into bouncing mode until the temperature drops to its normal operating temperature as recommended in the de-rating graph.

# CliQ II DIN Rail Power Supply

## 24V 240W 2 Phase / DRP-24V240W2BN

### Operating Mode

#### ■ Redundant Operation

In order to ensure proper redundant operation for the power supply unit (PSU), the output voltage difference between the two units must be kept at 0.45~0.50V for 24V supplies. Follow simple steps given below to set them up for the redundant operation:

##### Step 1.

Measure output voltage of PSU 1 and PSU 2. If PSU 1 is the master unit, then  $V_O$  of PSU 1 must be higher than PSU 2. In order to set the output voltage, individually connect the power supply to 50% of rated load, and set the PSU 1 and PSU 2 output voltage.

##### Step 2.

Connect the power supply units PSU 1 and PSU 2 to Vin 1 & Vin 2, respectively, of the DRR-20N (or 20A) module shown on the diagram on the right.

##### Step 3.

Connect the system load from  $V_{out}$ . Please note that output voltage  $V_{out}$  from DRR module will be =  $V_O$  (output voltage of power supply) -  $V_{drop}^*$  (in DRR module).

\* $V_{drop}$  will vary from 0.60V to 0.90V (Typical 0.65V) depending on the load current and surrounding air temperature.

#### ■ Parallel Operation

The power supply units (PSUs) can also be used for parallel operation in order to increase the output power. The difference in output voltage between the two units must be kept to within 25mV of each other. This difference must be verified with the same output load connected independently to each unit.

Parameters such as EMI, inrush current, leakage current, PARD, start up time will be different from those on the datasheet, when two units are connected in parallel. The user will need to verify that any differences will still allow the two power supplies connected in parallel will work properly in their product/application.

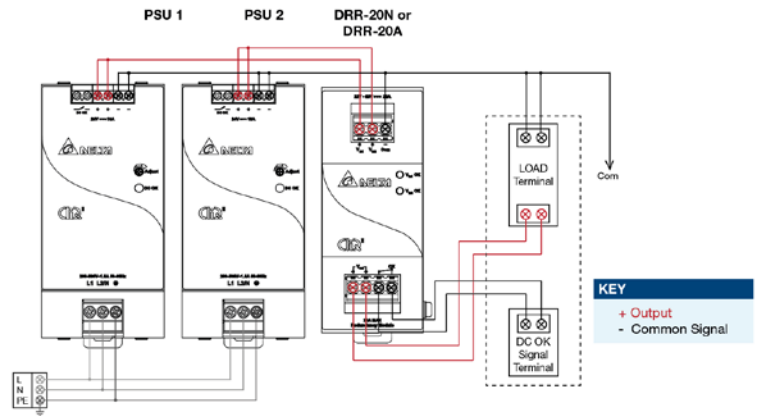


Fig. 3 Redundant Operation Connection Diagram

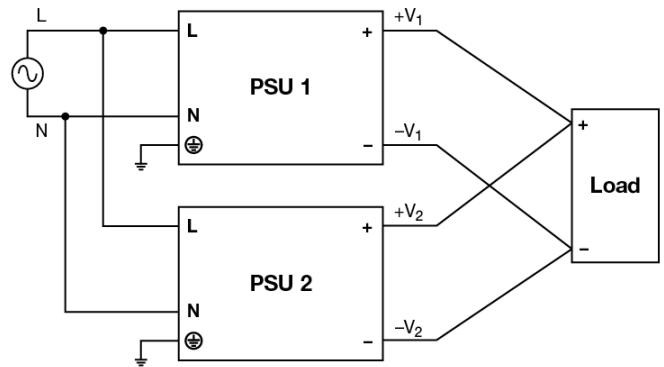


Fig. 4 Parallel Operation Connection Diagram

# CliQ II DIN Rail Power Supply

## 24V 240W 2 Phase / DRP-24V240W2BN

### Others

#### Delta RoHS Compliant

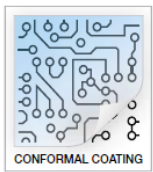


#### Restriction of the usage of hazardous substances

The European directive 2011/65/EU limits the maximum impurity level of homogeneous materials such as lead, mercury, cadmium, chrome, polybrominated flame retardants PBB and PBDE for the use in electrical and electronic equipment. RoHS is the abbreviation for "Restriction of the use of certain hazardous substances in electrical and electronic equipment".

This product conforms to this standard.

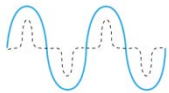
#### Conformal Coating



#### The Protective Coating Technology

Delta Electronics Group has designed the perfect dipping technique which penetrates everywhere including under device, and prevents leakage. The conformal coating dipping can be applied to PCBAs or circuit board. The coating preserves the performance of precision electronic primarily by preventing ionizable contaminants such as salt from reaching circuit nodes, where the material slumps around sharp edges. This can be a problem especially in highly conversing atmosphere.

#### PFC – Norm EN 61000-3-2



#### Line Current Harmonic content

Typically, the input current waveform is not sinusoidal due to the periodical peak charging of the input capacitor. In industrial environment, complying with EN 61000-3-2 is only necessary under special conditions. Complying to this standard can have some technical drawbacks, such as lower efficiency as well as some commercial aspects such as higher purchasing costs. Frequently, the user does not profit from fulfilling this standard, therefore, it is important to know whether it is mandatory to meet this standard for a specific application.