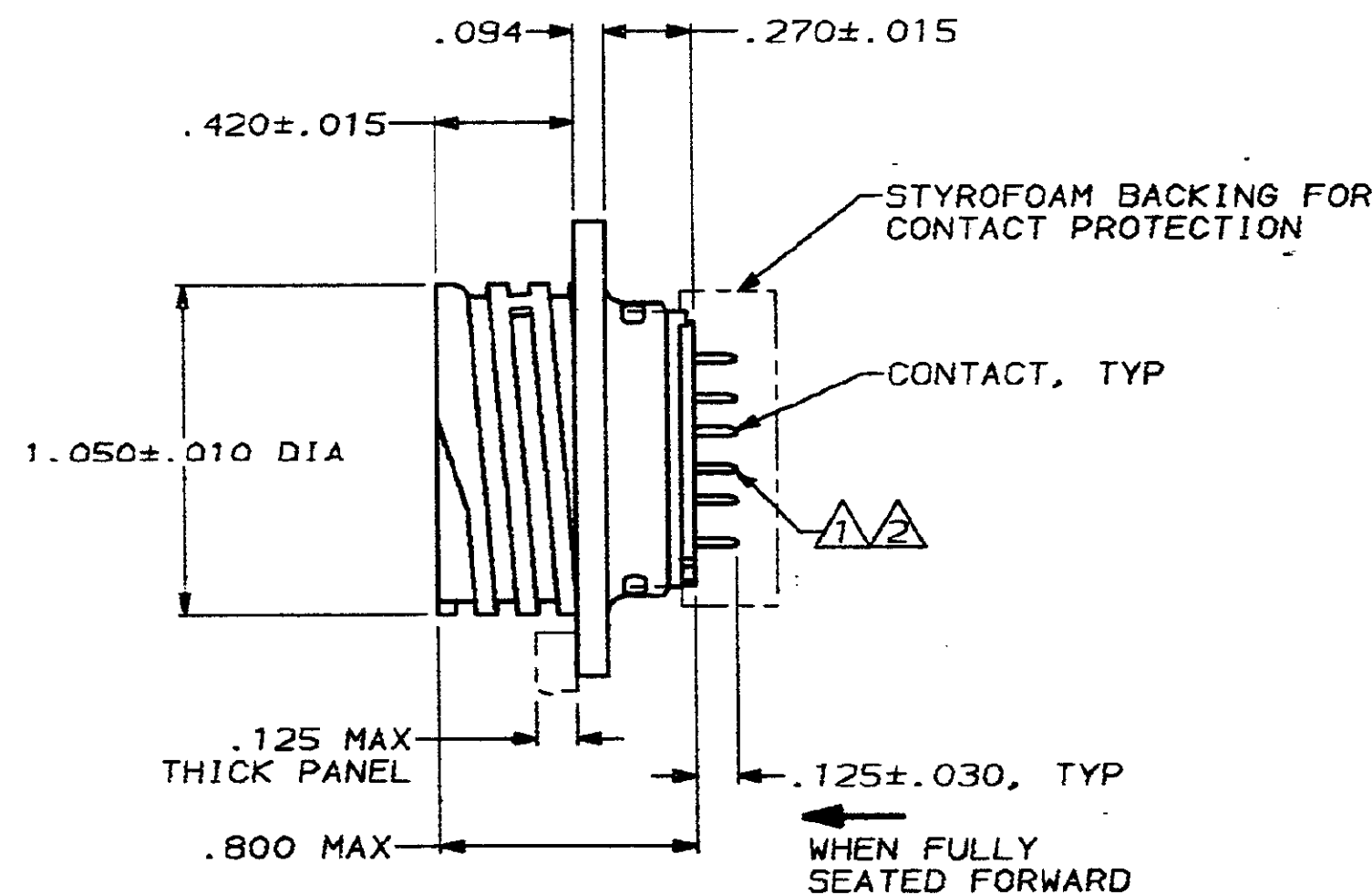
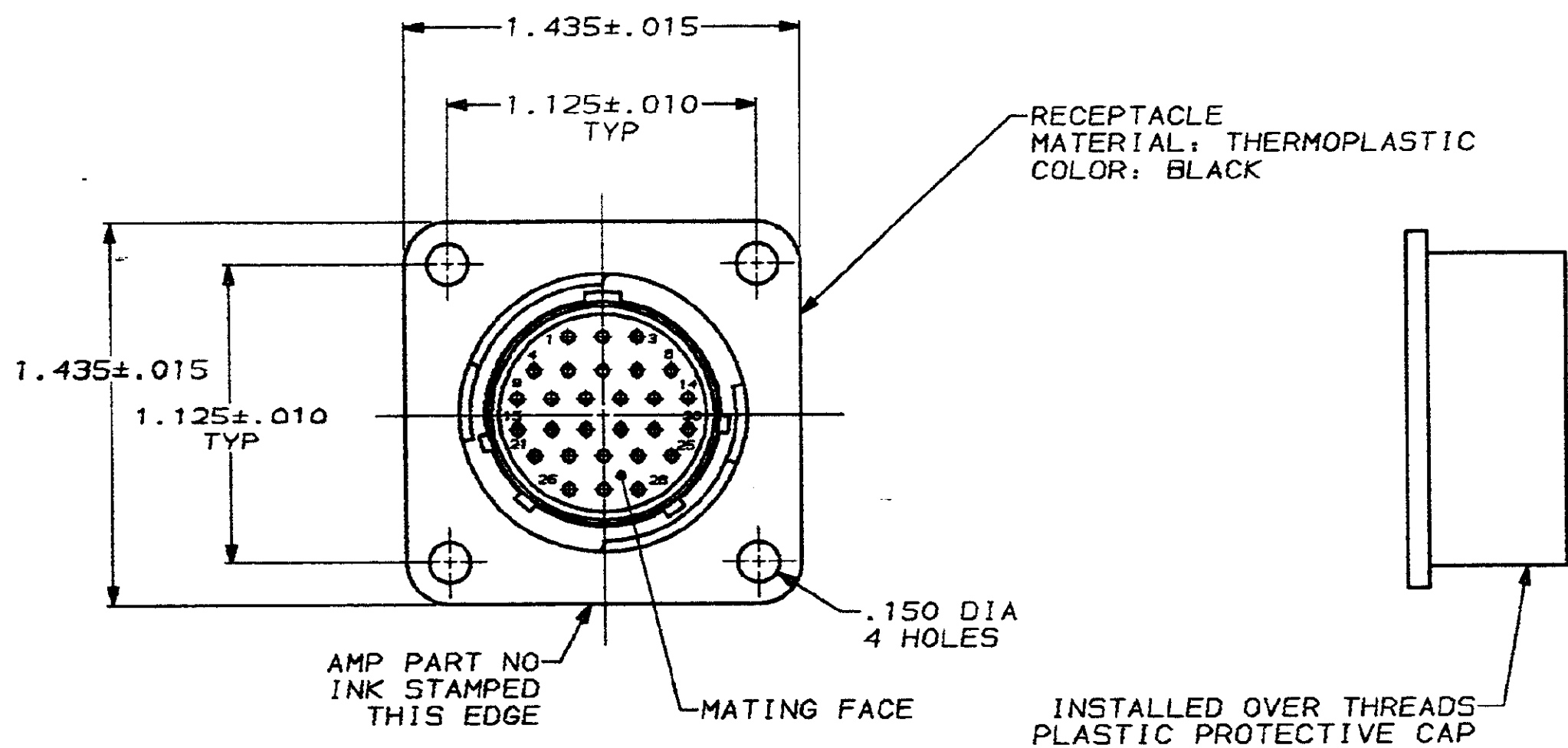


DRAWING MADE IN THIRD ANGLE PROJECTION

THIS DRAWING IS UNPUBLISHED. RELEASED FOR PUBLICATION .19
 © COPYRIGHT 19 BY AMP INCORPORATED. ALL INTERNATIONAL RIGHTS RESERVED.

REVISE		DATE		DESCRIPTION		DATE	APPD
23	BD	39		E	REDRAWN	5-22-91	



- 1 THIS RECEPTACLE ACCEPTS SIZE 20 DF PIN CONTACTS PER AMP DRAWING 3-66481-5, CONTACT CAVITIES IDENTIFIED BY CHARACTERS ON BOTH FRONT AND REAR FACE.
- 2 SELECT GOLD PER MIL-G-45204 OVER NICKEL PER QQ-N-290.
- 3. ASSEMBLED BY AMP INCORPORATED AND SHIPPED IN MOISTURE PROOF PLASTIC BAG WITH PART NUMBER STAMPED ON OUTSIDE.

206886-1
 PART NUMBER

DO NOT SCALE PRINT. UNLESS SPECIFIED DIMENSIONS IN INCHES TOLERANCES ON : 2 PLC DEC ± - 3 PLC DEC ± .005 ANGLES ± -	DR 5-22-91 J GALLUCCI BG CHK 4-14-92 W.G. LENKER APPD 4-14-92 K.BEAVER APPD 4-14-92 C.ROHDE	AMP Incorporated Harrisburg, PA 17105-3608	
MATERIAL SEE CALLOUT	PRODUCT SPEC 108-10024	NAME RECEPTACLE ASSEMBLY, POSTED, STD SEX, SERIES 2, 17-28, CPC	
FINISH CONTACT: 2	APPLICATION SPEC	SIZE C	CAGE CODE 00779
WEIGHT		DRAWING NO -206886	SHEET 1 OF 1

CUSTOMER DRAWING