

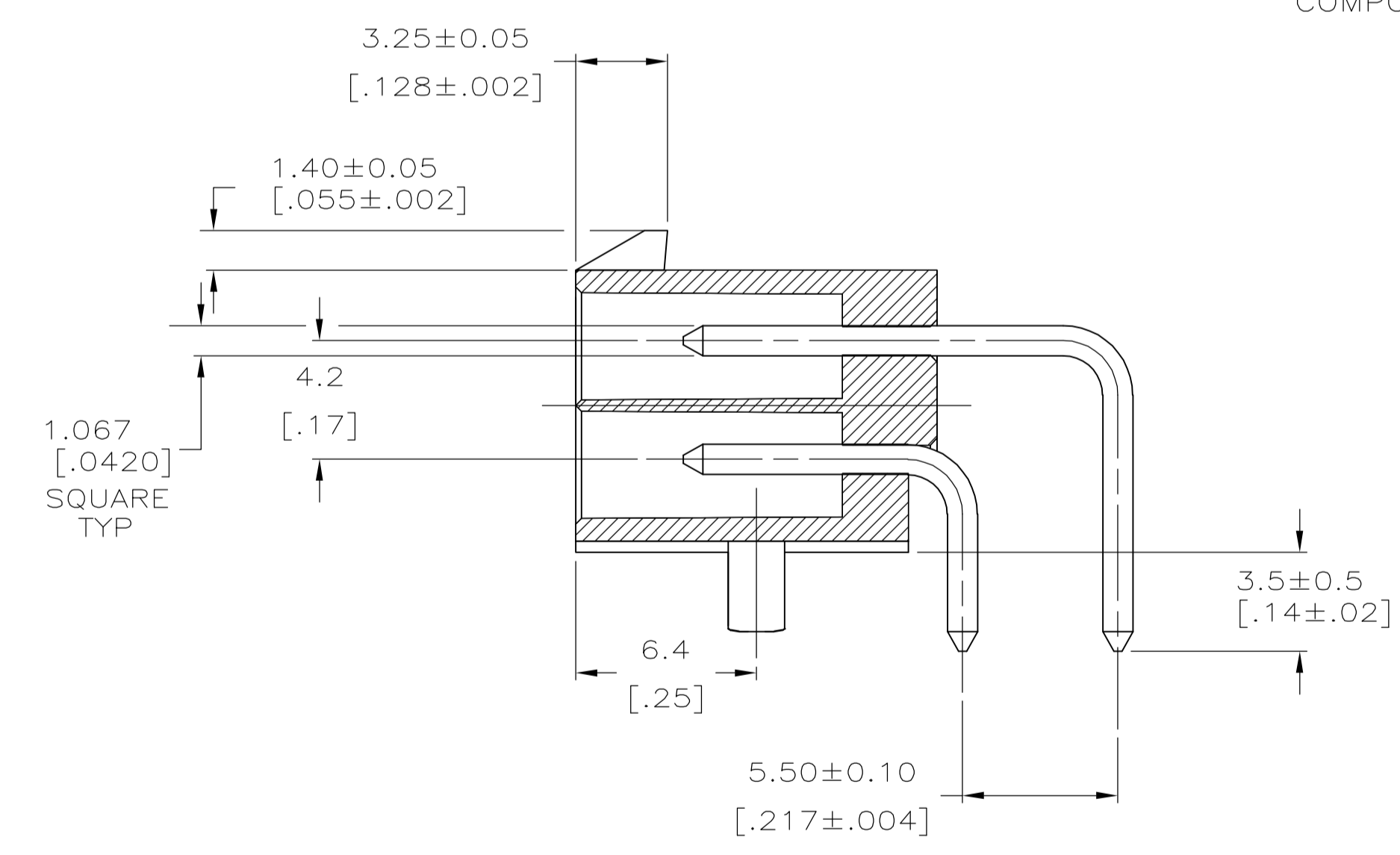
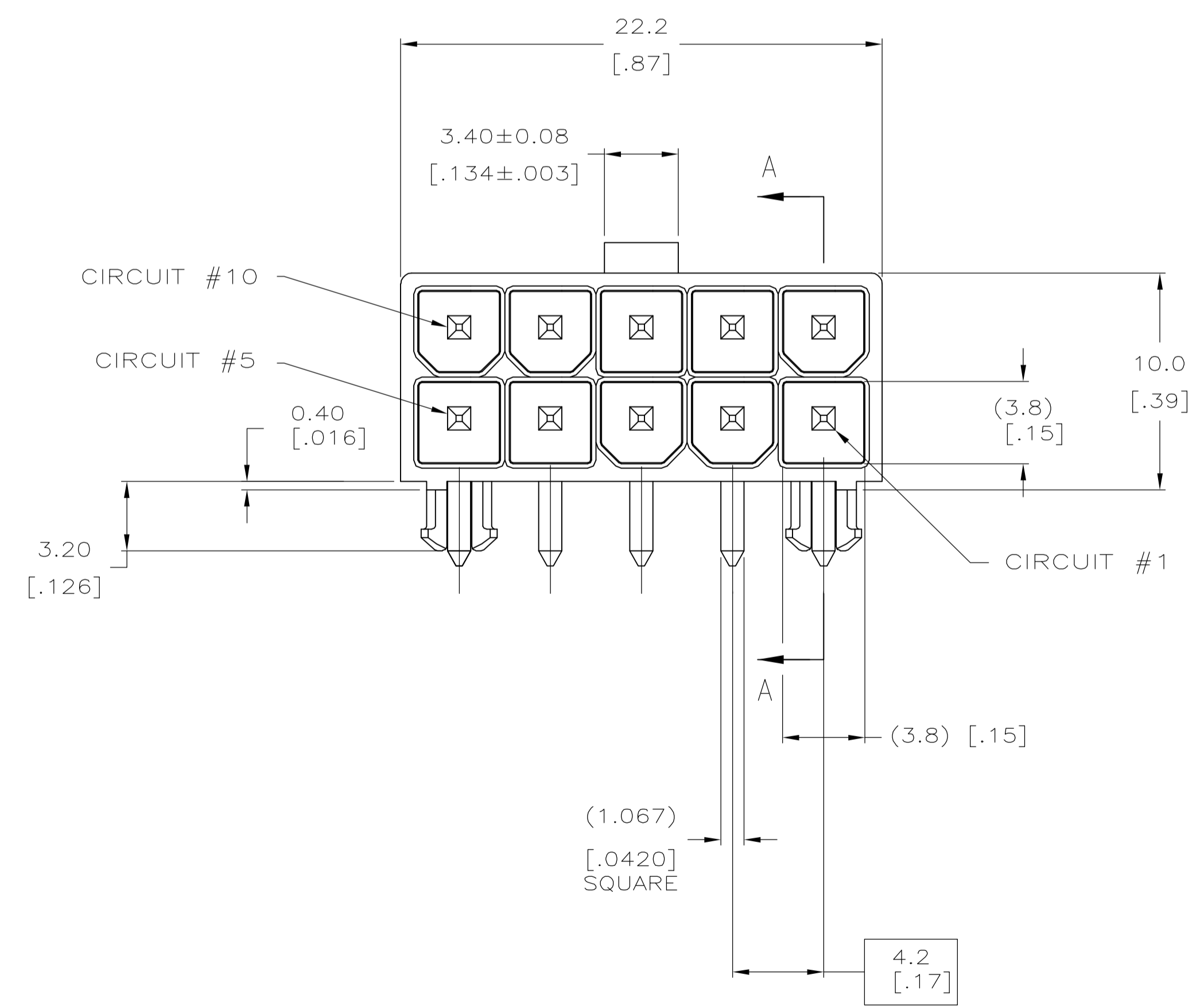
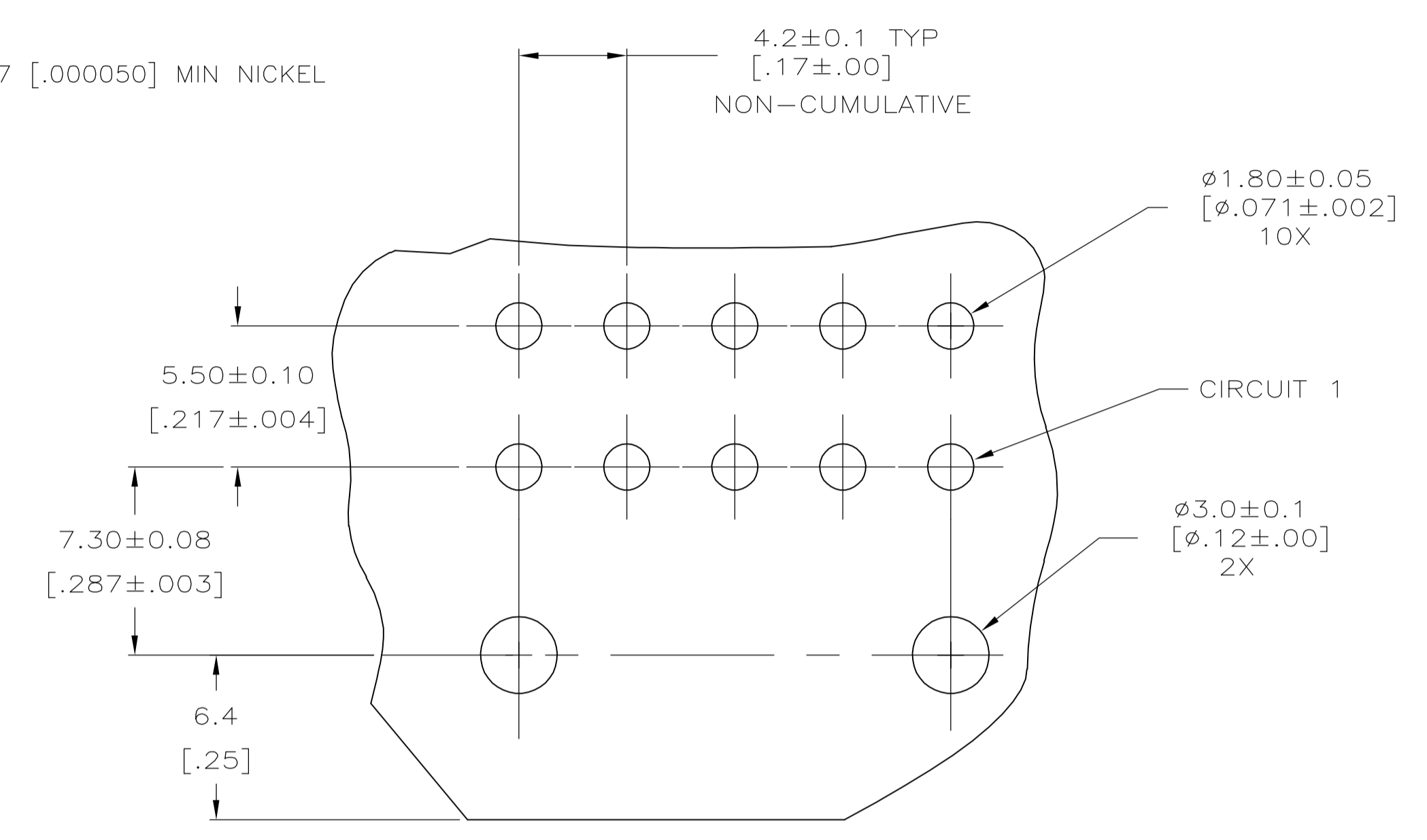
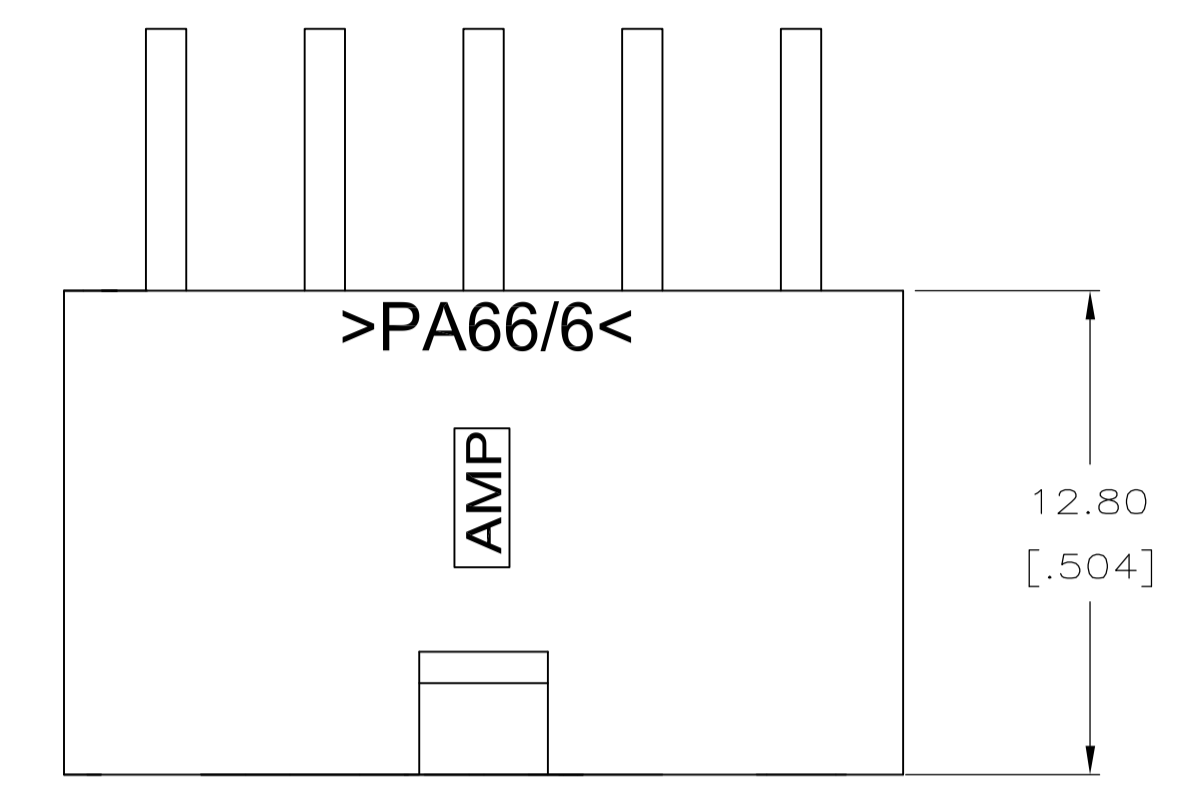
△ MATERIAL: HOUSING-NYLON, UL94V-0 (COLOR - WHITE).
 PINS-1.067mm² [.0016in²] COPPER ALLOY.

2. PINS TO COMPLY WITH AMP SOLDERABILITY SPEC 109-11-3.

△ 0.00381 [.000150] MIN TIN LEAD OVER 0.00127 [.000050] MIN NICKEL ENTIRE LENGTH OF PIN.

△ NOTE DELETED.

△ 0.00381 [.000150] MIN TIN OVER 0.00127 [.000050] MIN NICKEL ENTIRE LENGTH OF PIN.



SUPERSEDED BY 1-794530-1

△ 1	△ 5	△ 1	△ 1	1-794530-1
△ 1	△ 3	△ 1	△ 1	794530-1
MATERIAL PIN		HOUSING		PART NO

METRIC

THIS DRAWING IS A CONTROLLED DOCUMENT.

DIMENSIONS: mm [INCHES]	TOLERANCES UNLESS OTHERWISE SPECIFIED:	DIN S. HOOVER 04-OCT-2004	tyco Tyco Electronics Corporation Harrisburg, Pa 17105-3608
0 PLC ±	±	CHK D. COLEY 04-OCT-2004	NAME D. COLEY
1 PLC ±	±	APVD D. COLEY 04-OCT-2004	PRODUCT SPEC
2 PLC ±	± 0.13 [.005]	APPLICATION SPEC	SIZE CAGE CODE DRAWING NO
3 PLC ±	±	WEIGHT	A1 00779 C=794530
4 PLC ±	± 0.30'	CUSTOMER DRAWING	SCALE 5:1 SHEET 1 OF 1 REV F