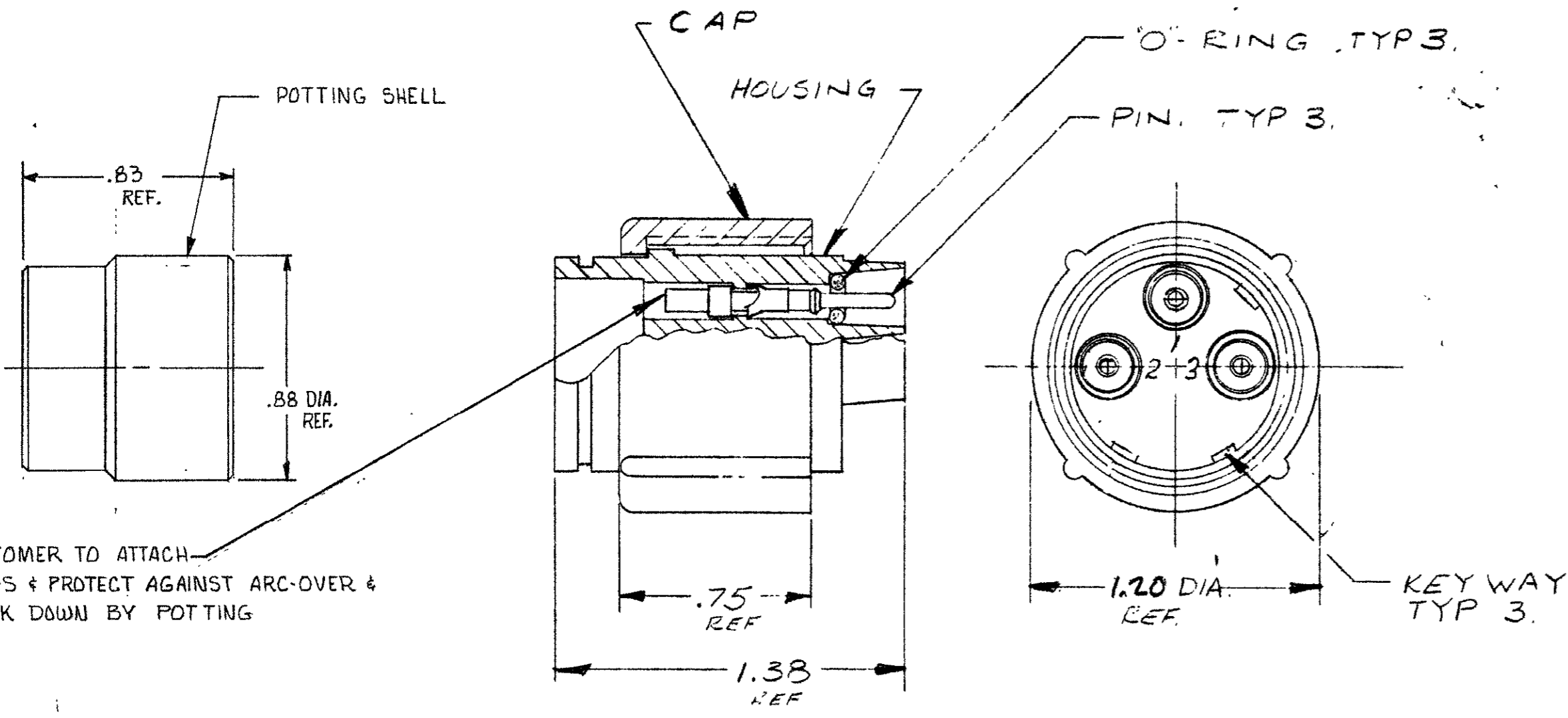


© 1976 BY AMP INCORPORATED. ALL RIGHTS RESERVED. AMP PRODUCTS COVERED BY PATENTS AND/OR PATENTS PENDING.

THIS PRODUCT DESIGNED AND BUILT BY AMP INCORPORATED. NO LICENSE TO USE THAT DESIGN IN MANUFACTURE, OR TO USE ANY ISSUED OR PENDING PATENTS WHICH ARE INVOLVED, IS IMPLIED.

REVISIONS				
ZONE	LTR	DESCRIPTION	DATE	APPROVED
A		REV PER 0414-120-04	CT	10-84

Unpublished copy not to be reproduced or published without written permission of AMP Incorporated.



- NOTE:
- MARK PER AMP-SPEC. 118-36000 (WHITE) 7254
 - PLUG WILL WITHSTAND WITHOUT BREAKDOWN 27 KVDC PIN TO PIN & 27 KVDC PIN TO GRD. WHEN MATED WITH RCPT. # 859527-1
 - PLUG & PINS, SHIPPED SEPARATELY.
 - TYPE II PINS TO ACCEPT ONE 20 AWG, (1) 22 AWG, OR (1) 24 AWG STRANDED WIRE
 - TYPE II PINS TO ACCEPT ONE 16 AWG, OR (1) 18 AWG STRANDED WIRE
 - TO REMOVE PINS USE EXTRACTION TOOL # 3G1751-1
 - TYPE II PINS TO ACCEPT ONE (1) 14 AWG STRANDED WIRE.

AMP P/N	WIRE SIZE RANGE	HAND TOOL
863021-1	20, 22, 24	45099
863021-2	16, 18	45098
863021-3	14	45098

QTY REQD	QTY REQD	ITEM NO.	DWG SIZE	PART OR IDENTIFYING NO.	NOMENCLATURE OR DESCRIPTION	SYMBOL
-2	-1				PARTS LIST	
UNLESS OTHERWISE SPECIFIED: DIMENSIONS ARE IN INCHES TOLERANCES				CONTRACT NO.		
.00 ±				DR		
.000 ±				DICK STONE 3-2-76		
MATERIAL: MOLDED PLASTIC				CHK		
FINISH: BLACK.				APPD <i>M. Leiden</i> 9/3/76		
NEXT ASSY				DSGN APPD		
FINAL ASSY				OTHER APPD		
NEXT ASSY				SIZE		
USED ON				CODE IDENT NO.		
QTY REQD				NUMBER		
APPLICATION				SCALE NONE		
				WT		
				SHEET 1 OF 1		

AMP INCORPORATED
CAPITRON DIVISION
ELIZABETHTOWN, PENNSYLVANIA

NAME
**PLUG ASS'Y
3 PIN
EGH.**

SIZE **C** CODE IDENT NO. **00779** NUMBER **863021**