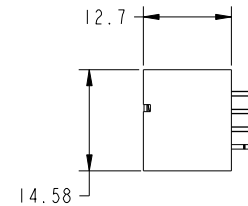
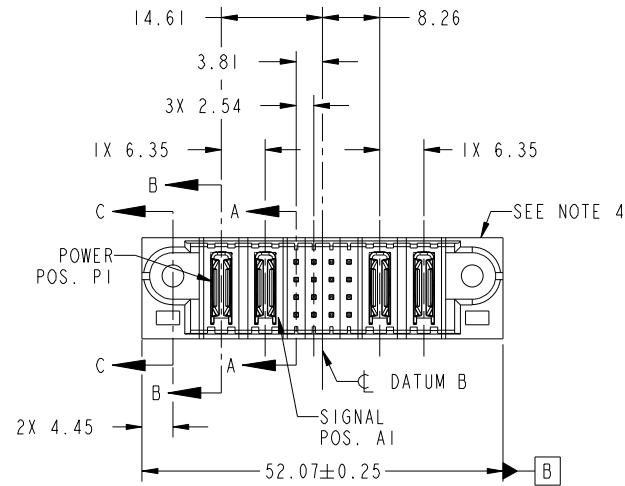


Tous droits strictement reserves. Reproduction ou communication a des tiers interdite sous quelque forme que ce soit sans autorisation écrite du propriétaire. Propriete de c FCI. Droits de reproduction FCI.



All rights strictly reserved. Reproduction or issue to third parties in any form whatever is not permitted without written authority from the proprietor. Property of FCI. Copyright FCI.

PRODUCT NO.	ROWS	POWER		SIGNAL				POWER		E2	
		E1	P1	P2	1	2	3	4	P3		P4
51710-031-- NOTE ③	D C B A										



CODE	DIM "M" MATING LENGTH	CONTACT TYPE
PA	[N/A]	POWER
H	[5.59]	SIGNAL
HA	[N/A]	HOLD-DOWN
E	[6.86]	SIGNAL

mat'l code				tolerances unless otherwise specified		CUSTOMER		 www.fciconnect.com	
ltr	ecn no.	dr	date	linear	0.X ±0.5	COPY		title	
A	DG08-0305	JW	08/14/08		0.XX ±0.25	projection		2P + 16S + 2P VERTICAL SOLDER HEADER	
B	DG08-0273	JW	12/05/08	angles	0.XXX ±0.1			product family	
				dr	0° ±2°			PwrBlade	
				enr	JULIA WANG 08/14/08	scale		code	
				chr	JEROME CHEN 08/14/08	1:1		213	
				appd	GARY HSIEH 08/14/08			sheet	
					JOSEPH HSIA 08/14/08			1 of 4	
sheet index	revision sheet	B	B	B	B			cage code	
		1	2	3	4			22526	

Pro/E

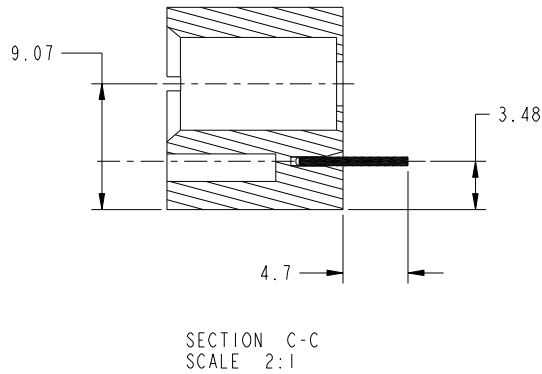
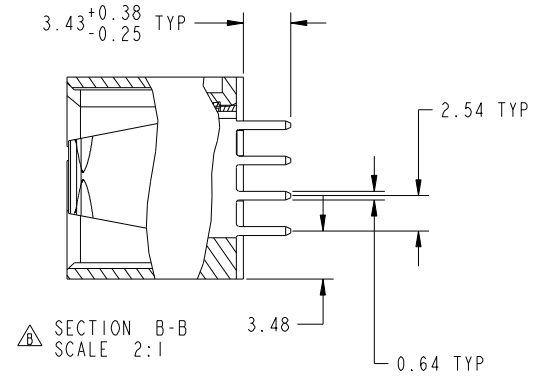
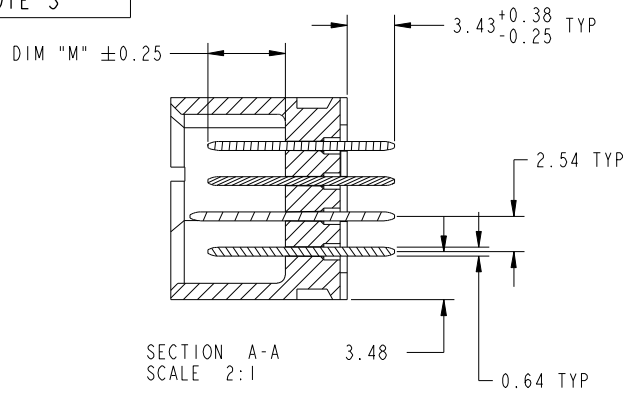
cage code 22526

Tous droits strictement reserves. Reproduction ou communication a des tiers interdite sous quelque forme que ce soit sans autorisation écrite du propriétaire. Propriete de c FCI. Droits de reproduction FCI.

All rights strictly reserved. Reproduction or issue to third parties in any form whatever is not permitted without written authority from the proprietor. Property of FCI. Copyright FCI.



PRODUCT NUMBER  
51710-031\_\_  
NOTE 3



mat'l code				tolerances unless otherwise specified		CUSTOMER		FCI	
ltr	ecn no.	dr	date	linear	0.X ±0.5	COPY		www.fciconnect.com	
B				linear	0.XX ±0.25	projection		title	
				angles	0.XXX ±0.1			2P + 16S + 2P VERTICAL SOLDER HEADER	
				dr	0° +2°			product family PwrBlade code	
				enr	JULIA WANG 08/14/08			size dwg no	
				chr	JEROME CHEN 08/14/08	1:1		213	
				appd	GARY HSIEH 08/14/08	A		sheet	
					JOSEPH HSIA 08/14/08			2 of 4	
sheet index	revision sheet								

Pro/E

cage code 22526

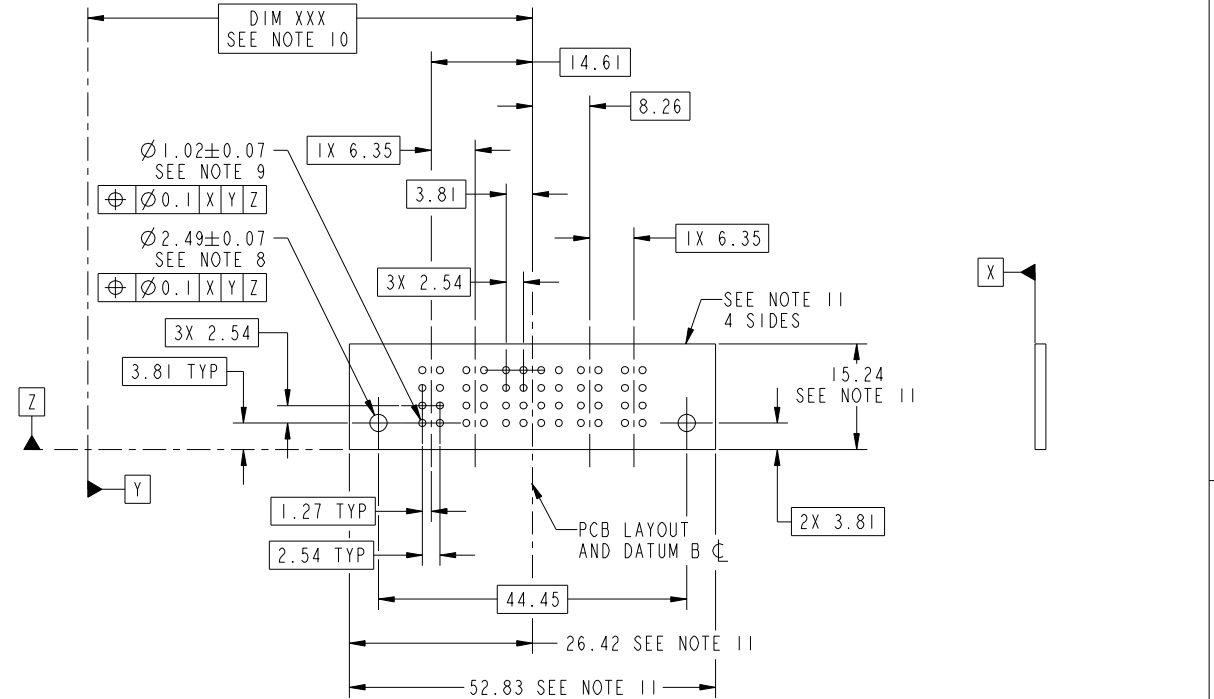
Tous droits strictement reserves. Reproduction ou communication a des tiers interdite sous quelque forme que ce soit sans autorisation écrite du propriétaire. Propriete de c FCI. Droits de reproduction FCI.



All rights strictly reserved. Reproduction or issue to third parties in any form whatever is not permitted without written authority from the proprietor. Property of FCI. Copyright FCI.

PRODUCT NUMBER  
51710-031\_\_  
NOTE 3

1 | 2 | 3 | 4



mat'l code				tolerances unless otherwise specified		CUSTOMER		FCI		www.fciconnect.com	
ltr	ecn no.	dr	date	linear	0.X ± 0.5	COPY		title			
B					0.XX ± 0.25	projection		2P + 16S + 2P VERTICAL SOLDER HEADER			
				angles	0.XXX ± 0.1	MIM		product family		code	
				dr	0° + 2°	← MIM →		PwrBlade		213	
				enr	JULIA WANG 08/14/08	scale		size		sheet	
				chr	JEROME CHEN 08/14/08	1:1		dwg no		3 of 4	
				appd	GARY HSIEH 08/14/08			51710-031			
					JOSEPH HSIA 08/14/08						
sheet index	revision sheet										

1 | 2 | Pro/E | 3 | cage code 22526 | 4

Tous droits strictement reserves. Reproduction ou communication a des tiers interdite sous quelque forme que ce soit sans autorisation écrite du propriétaire. Propriete de c FCI. Droits de reproduction FCI.



All rights strictly reserved. Reproduction or issue to third parties in any form whatever is not permitted without written authority from the proprietor. Property of FCI. Copyright FCI.

PRODUCT NUMBER  
51710-031--  
NOTE 3

NOTES:

1. DIMENSIONS AND TOLERANCES ARE IN ACCORDANCE WITH ASME Y14.5M, 1994 UNLESS OTHERWISE SPECIFIED.

CONNECTOR NOTES:

- 2 HOUSING MATERIAL: UL 94 V-0 GLASS FILLED  
HIGH-TEMP THERMOPLASTIC  
POWER CONTACT MATERIAL: COPPER ALLOY  
SIGNAL PIN MATERIAL: COPPER ALLOY
  - 3. PLATING:  
SEE ITEM 1 & 2 IN PRINT 10064183 FOR PLATING SPEC OF 51710-031, 51710-031LF RESPECTIVELY.
  - 4 MANUFACTURER'S NAME, P/N, AND DATE CODE TO APPEAR ON THIS SURFACE.
  - 5. PRODUCT SPECIFICATION GS-12-149.  
APPLICATION SPECIFICATION BUS-20-067.
  - 6. PACKAGED IN TRAYS.
- PCB NOTES:
- 7. ALL HOLE DIAMETERS ARE FINISHED HOLE SIZE.
  - 8. MOUNTING HOLES, WHERE APPLICABLE, ARE UNPLATED.
  - 9  $\varnothing 1.151 \pm 0.025$  DRILLED HOLES PLATED WITH  
0.008 MIN SnPb OR Sn OVER .001 [0.03]  
TO 0.08 Cu PLATING TO ACHIEVE  
 $\varnothing 1.02 \pm .07$  HOLE.
  - 10 "DIM XXX" TO BE DETERMINED BY THE CUSTOMER.
  - 11 CONNECTOR KEEP-OUT ZONE.
  - 12. A  $\Delta$  SYMBOL WILL BE NEXT TO ANY DIMENSION, VIEW, OR NOTE WHICH HAS BEEN MODIFIED WITH THE CURRENT DRAWING REVISION.

mat'l code				tolerances unless otherwise specified		CUSTOMER		FCI		www.fciconnect.com	
ltr	ecn no.	dr	date	linear	0.X ± 0.5		COPY		projection	title	
B					0.XX ± 0.25		MIM			2P + 16S + 2P VERTICAL SOLDER HEADER	
					0.XXX ± 0.1		← MIM →			product family PwrBlade code 213	
				angles	0° ± 2°		scale		size		sheet
				dr	JULIA WANG	08/14/08	1:1		A		4 of 4
				enr	JEROME CHEN	08/14/08			51710-031		
				chr	GARY HSIEH	08/14/08					
				appd	JOSEPH HSIA	08/14/08					
sheet index	revision sheet										

cage code 22526

Pro/E