

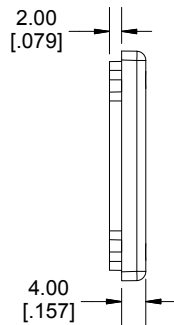
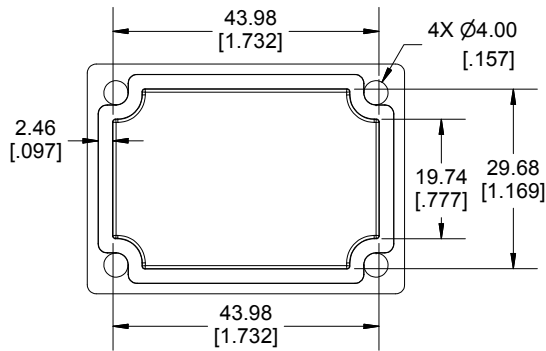
Enclosures can be Factory Modified ( Milling, Drilling, Printing etc.)  
 Contact Factory [mjm@hammondmfg.com](mailto:mjm@hammondmfg.com) for quotes  
 Solid models of this enclosure available in STEP or IGES.  
 (Part number and text placement/orientation on our products are subject to change, we do not recommend using them as a locating reference for modification purposes)

NOTE	
Purchased assembly includes box, lid and 4 cover screws.	
Box and lid are made from Diecast Aluminum Alloy.	
Silicone Gasket supplied with liquid resistant enclosure.	
Bottom Flange is Welded.	
<b>Recommended Torque: 50-55 cN.m [71-78 ozf.in]</b>	
<b>Recommended Torque with Gasket : 25-30 cN.m [36-43 ozf.in]</b>	

**SECTION B-B  
SIDE VIEW**

**INSIDE BOX**

PART NUMBERS	
<b>1590HF Enclosure</b>	
Natural Finish Enclosure	1590HF
Black Textured Enclosure	1590HFBK
<b>1590HF Liquid Resistant Enclosure (Silicone Gasket)</b>	
Natural Finish Enclosure	1590WHF
Black Textured Enclosure	1590WHFBK
ACCESSORIES	
Liquid Resistant Cover Screws	
Stainless Steel Cover Screws (Pkg 100) [6-32 x 1/2" With O-Ring]	1590WMS100
Black Stainless Steel Cover Screws (Pkg 100) [6-32 x 1/2" With O-Ring]	1590WMS100BK
Standard Cover Screws	
Plated Cover Screws (Pkg 100) [6-32 x 1/2"]	1590MS100
Black Cover Screws (Pkg 100) [6-32 x 1/2"]	1590MS100BK



**INSIDE LID**

Dimensions:  
mm  
[inches]

**HAMMOND  
MANUFACTURING®**

**1590HF**

[www.hammondmfg.com](http://www.hammondmfg.com)