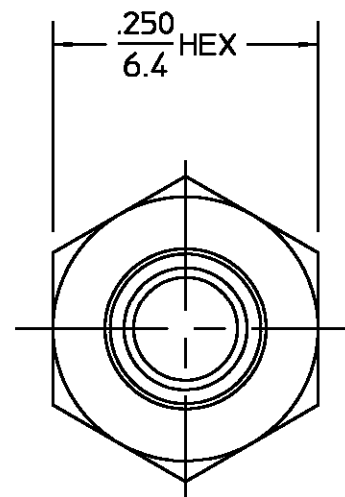
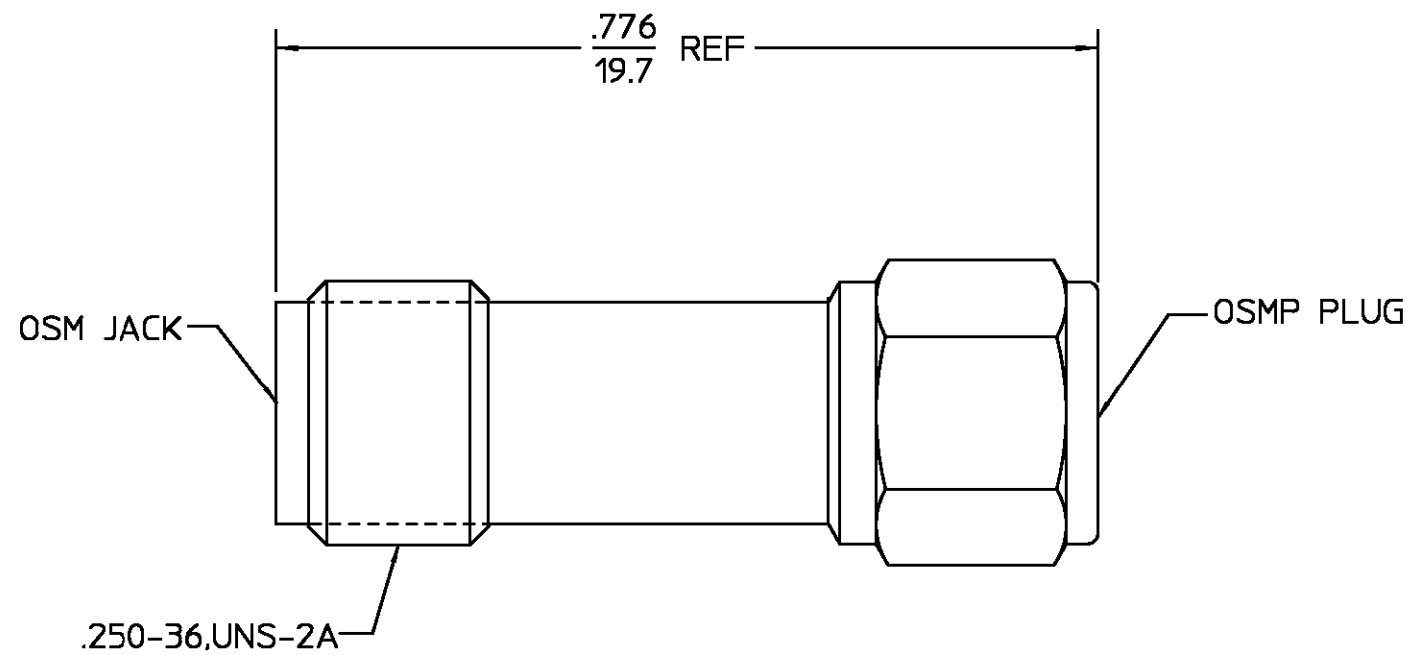



REVISIONS			
REV	DESCRIPTION	DATE	APPROVED
02 ₀	REVISED	3/6/96	<i>ICom</i> 3/18/96



.XXX = in
XX.X = mm

HOUSING	STAINLESS STEEL PER ASTM-A484 AND ASTM-A582, TYPE 303	PASSIVATE PER ASTM-A-380
DIELECTRIC	TFE FLUOROCARBON PER ASTM-D-1457	N/A
CENTER CONTACT	BERYLLIUM COPPER PER ASTM B 196, ALLOY C17300, CONDITION H	GOLD PLATE PER MIL-G-45204

COMPONENT	MATERIAL	FINISH
-----------	----------	--------

UNLESS OTHERWISE SPECIFIED DIMENSIONS ARE IN INCHES FRAC. ± 1/64 DEC. ± .005 ANGLES ± 1°	DRAWN BY R.M.F.	DATE 6/1/94	 AMP Incorporated 140 Fourth Avenue Waltham, MA 02451-7599
	CHECKED BY B.B.	6/3/94	
	APPD BY R.M.F.	6/6/94	

These drawings and specifications are the property of M/A COM Interconnect Div. and shall not be reproduced or copied or used in whole or in part as the basis for the manufacture or sale of item(s) without written permission.	USE ASSY PROCEDURE	TITLE OSM JACK TO OSMP PLUG ADAPTER-FULL DETENT	
	NO. A.P. N/A	SIZE B	CODE IDENT NO. 26805
		SCALE 6/1	2982-2240-00
			SHEET 1 OF 1

NOTES:
1. CAPTURED CENTER CONTACT