

Connector Specific Kit 768341-1

PROPER USE GUIDELINES

Cumulative Trauma Disorders can result from the prolonged use of manually powered hand tools. Hand tools are intended for occasional use and low volume applications. A wide selection of powered application equipment for extended-use, production operations is available.

Connector Specific Kit 768341-1



Typical Applicators

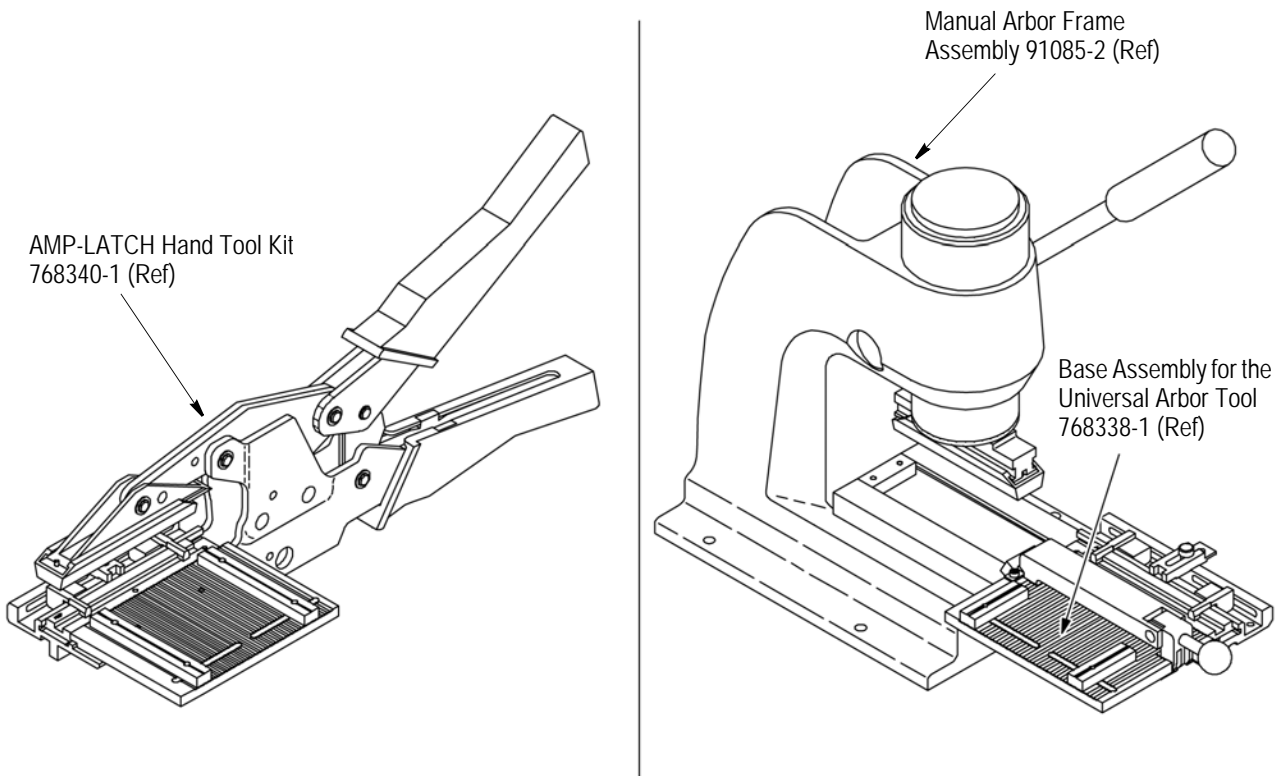
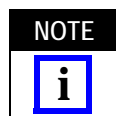


Figure 1

1. INTRODUCTION

This instruction sheet covers the description, cable requirements, and installation procedures for Connector-Specific Kit 768341-1, which is used with AMP-LATCH Hand Tool Kit 768340-1 (see instruction sheet 408-9828) and Base Assembly Universal Arbor Tool 768338-1 (see 408-9827). The connector-specific kit will terminate AMP-LATCH Standard and Novo Receptacle Connectors having 1.27 mm [.050 in.] centerline spacing to ribbon cable (see Figure 2).

The Base Assembly Universal Arbor Tool is used with Manual Arbor Frame Assembly 91085-2 and Pneumatic Auto-Cycle Unit 91112-3. Refer to 408-7777 and 408-6732, respectively, for tooling information.



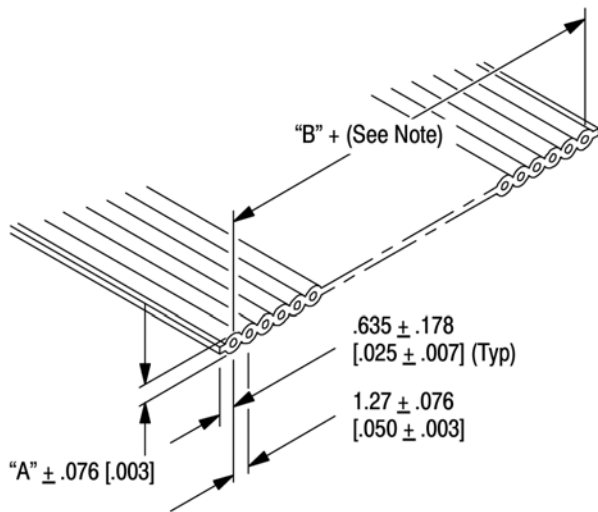
Dimensions on this sheet are in metric units [with U.S. customary units in brackets.]

2. DESCRIPTION (Figure 1)

The connector-specific kit features an upper tool and a lower insert. The upper tool applies an even force over the length of the connector during termination. The lower insert positions the connector on the tooling assembly. Each component is marked "RCPT."

3. CABLE REQUIREMENTS

The connector-specific kit will terminate ribbon cable with 26 AWG solid or stranded conductors, 28 AWG solid or stranded conductors, or 30 AWG solid conductors to all AMP-LATCH Standard and Novo Receptacle Connectors. Refer to Figure 2 for the recommended cable dimensions.



NOTE: Accumulative tolerance for cable conductors 1 through 34 is +.254 [.010] and through 60 is +.38 [.015].

CONDUCTOR		DIMENSION	
SIZE (AWG)	TYPE	"A"	"B"
26	Stranded or Solid	0.889 mm [[.035 In.]	1.27 mm [.050 In.] X (Total No. of Conductors Minus One)
28	Stranded or Solid		
30	Solid		

Figure 2



CAUTION The cable must be cut 90° to the edge of the cable; other wise an improper termination will result. We suggest you use a guillotine-type cable cutter, such as the Carpenter Model 95 which can be purchased from:

Carpenter Manufacturing Co., Inc.
Fairgrounds Drive
Manlius, NY 13207

AMP-LATCH Hand Tool Kit 768340-1 (Ref)
(Includes AMP-LATCH Hand Tool Subassembly 768942-1 and Base Assembly Universal Hand Tool 768339-1. Refer to 408-9846 and 408-9826.)

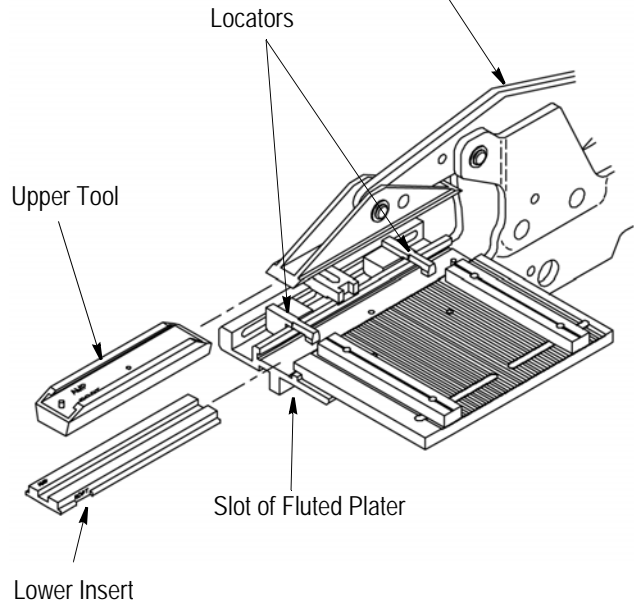
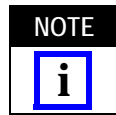


Figure 3

4. CONNECTOR-SPECIFIC KIT INSTALLATION

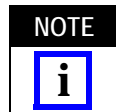
(Figure 3 and Figure 4)



NOTE For hand tool applications, mount the hand tool onto a suitable work surface, whenever possible, before terminating the connectors. Refer to the bench-clamping instructions in 408-9828, packaged with the AMP-Latch Hand Tool Kit.

1. Slide the upper tool onto the upper tool mount.
2. Slide the lower insert into the slot of the fluted plate.

This completes the installation procedure.



NOTE For information concerning termination procedures, refer to 408-9828 packaged with the AMP-LATCH Hand Tool Kit and 408-9827 packaged with the Base Assembly Universal Arbor Tool.

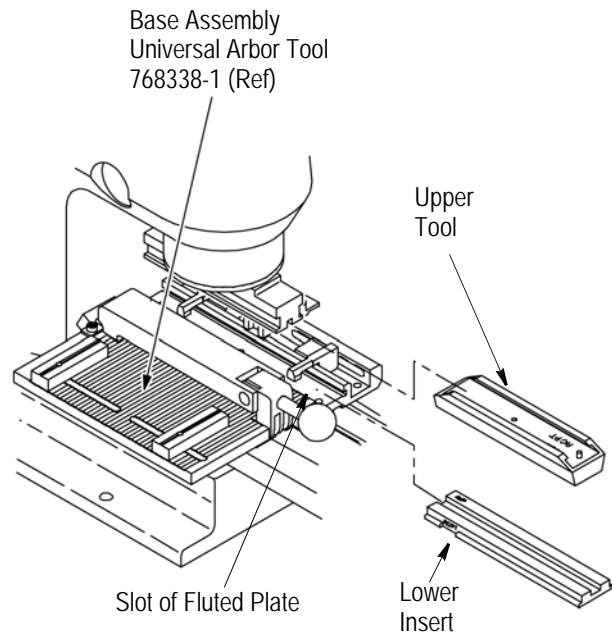


Figure 4

5. CONNECTOR-SPECIFIC KIT INSPECTION

Connector-Specific Kit 768341-1 has been inspected and should be verified with the information provided in Figure 5. It is recommended that the connector-specific kit be inspected immediately upon its arrival at your facility (and at regularly scheduled intervals) to ensure that the kit components have not been damaged during handling.

For additional information concerning connector-specific kits, or to purchase additional kits, contact your local TE representative or:

CUSTOMER SERVICE (038-035)
TYCO ELECTRONICS CORPORATION
PO BOX 3608
HARRISBURG PA 17105-3608

6. REVISION SUMMARY

Since the previous release of this instruction sheet, the new company logo has been applied.

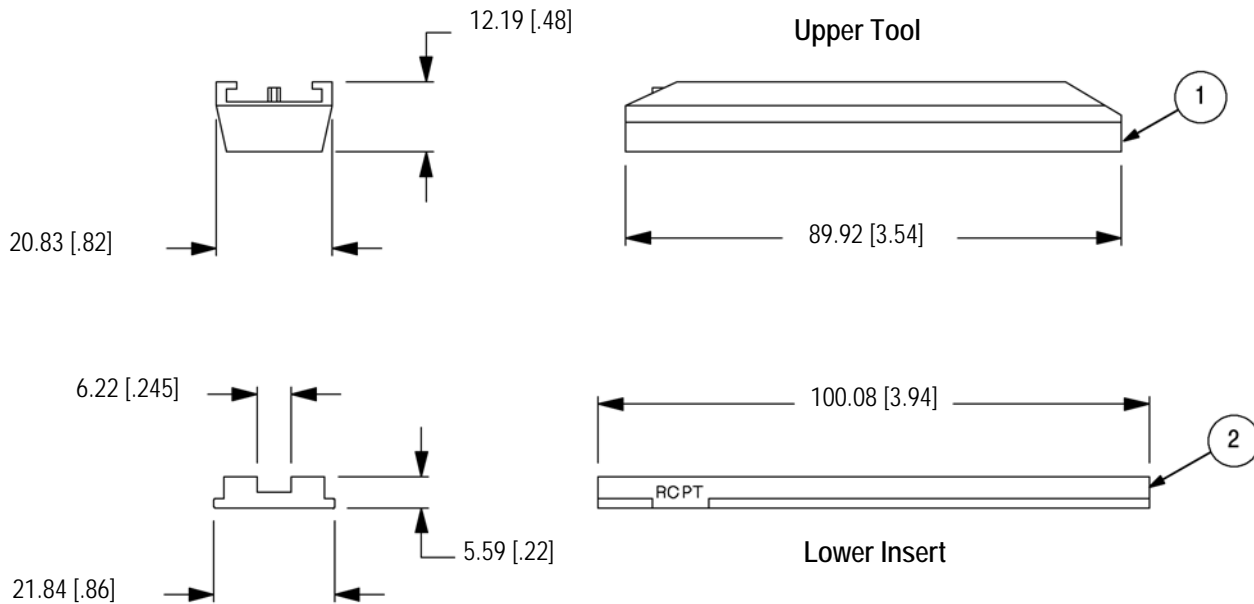


Figure 5