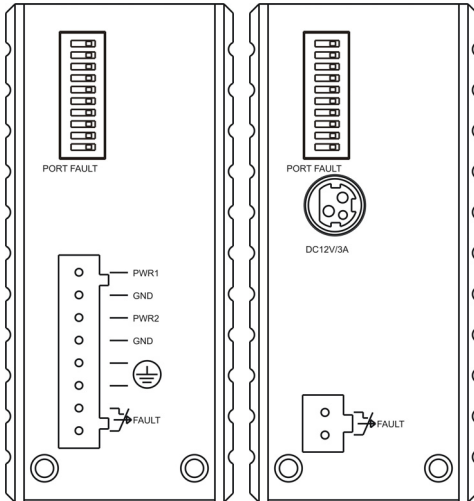



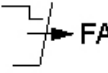
XPress-Pro SW 92000 Quick Start

This quick installation guide describes how to install and use the hardened compact Ethernet Switch. Capable of operating at temperature extremes of -34°C to +74°C, this is the switch of choice for harsh environments constrained by space.

Physical Description

The Terminal Block and Power Inputs



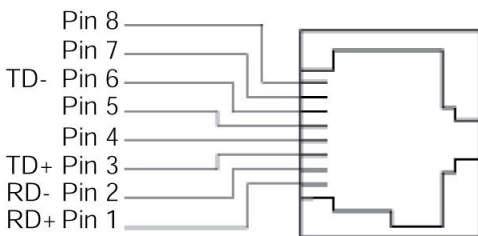
Terminal Assignment																																													
PWR1	Power Input 1 (10 ~ 48VDC)																																												
GND	Power Ground																																												
PWR2	Power Input 2 (10 ~ 48VDC)																																												
GND	Power Ground																																												
	Earth Ground																																												
 FAULT	1. The relay opens if PWR1 or PWR2 fails 2. The relay opens if the Port Link is broken (When Link Down Detection is Enabled)																																												
<table border="1"> <thead> <tr> <th colspan="2">ON</th> <th colspan="2">DIP</th> </tr> </thead> <tbody> <tr> <td><input type="checkbox"/></td><td>1</td><td><input type="checkbox"/></td><td>10</td> </tr> <tr> <td><input type="checkbox"/></td><td>2</td><td><input type="checkbox"/></td><td>9</td> </tr> <tr> <td><input type="checkbox"/></td><td>3</td><td><input type="checkbox"/></td><td>8</td> </tr> <tr> <td><input type="checkbox"/></td><td>4</td><td><input type="checkbox"/></td><td>7</td> </tr> <tr> <td><input type="checkbox"/></td><td>5</td><td><input type="checkbox"/></td><td>6</td> </tr> <tr> <td><input type="checkbox"/></td><td>6</td><td><input type="checkbox"/></td><td>5</td> </tr> <tr> <td><input type="checkbox"/></td><td>7</td><td><input type="checkbox"/></td><td>4</td> </tr> <tr> <td><input type="checkbox"/></td><td>8</td><td><input type="checkbox"/></td><td>3</td> </tr> <tr> <td><input type="checkbox"/></td><td>9</td><td><input type="checkbox"/></td><td>2</td> </tr> <tr> <td><input type="checkbox"/></td><td>10</td><td><input type="checkbox"/></td><td>1</td> </tr> </tbody> </table>	ON		DIP		<input type="checkbox"/>	1	<input type="checkbox"/>	10	<input type="checkbox"/>	2	<input type="checkbox"/>	9	<input type="checkbox"/>	3	<input type="checkbox"/>	8	<input type="checkbox"/>	4	<input type="checkbox"/>	7	<input type="checkbox"/>	5	<input type="checkbox"/>	6	<input type="checkbox"/>	6	<input type="checkbox"/>	5	<input type="checkbox"/>	7	<input type="checkbox"/>	4	<input type="checkbox"/>	8	<input type="checkbox"/>	3	<input type="checkbox"/>	9	<input type="checkbox"/>	2	<input type="checkbox"/>	10	<input type="checkbox"/>	1	ON: Enable Port Fault Alarm OFF: Disable Port Fault Alarm PIN 10: N/A
ON		DIP																																											
<input type="checkbox"/>	1	<input type="checkbox"/>	10																																										
<input type="checkbox"/>	2	<input type="checkbox"/>	9																																										
<input type="checkbox"/>	3	<input type="checkbox"/>	8																																										
<input type="checkbox"/>	4	<input type="checkbox"/>	7																																										
<input type="checkbox"/>	5	<input type="checkbox"/>	6																																										
<input type="checkbox"/>	6	<input type="checkbox"/>	5																																										
<input type="checkbox"/>	7	<input type="checkbox"/>	4																																										
<input type="checkbox"/>	8	<input type="checkbox"/>	3																																										
<input type="checkbox"/>	9	<input type="checkbox"/>	2																																										
<input type="checkbox"/>	10	<input type="checkbox"/>	1																																										

- ◆ DC Terminal Block Power Inputs: There are two pairs of power inputs can be used to power up this media converter. Redundant power supplies function is supported. You only need to have one power input connected to run the Switch.
- ◆ DC JACK Power input: 12VDC.

The 10/100BaseTX and 100BaseFX Connectors

The 10/100BaseTX Connections

The following lists the pinouts of 10/100BaseT/TX ports.

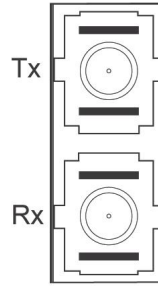


Pin	Regular Ports	Uplink port
1	Input Receive Data +	Output Transmit Data +
2	Input Receive Data -	Output Transmit Data -
3	Output Transmit Data +	Input Receive Data +
4	NC	NC
5	NC	NC
6	Output Transmit Data -	Input Receive Data -
7	NC	NC
8	NC	NC

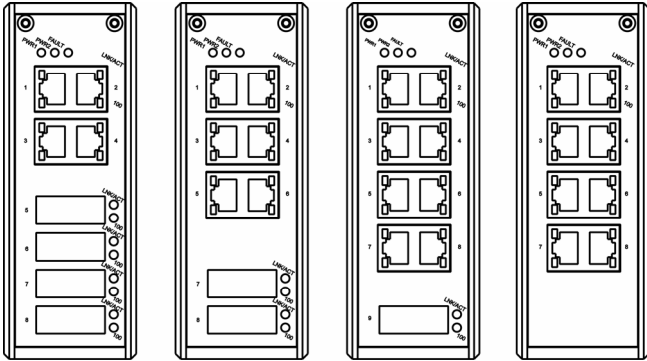
The 100BaseFX Connections

The fiber port pinouts

The Tx (transmit) port of device I is connected to the Rx (receive) port of device II, and the Rx (receive) port of device I to the Tx (transmit) port of device II.



The Port Status LEDs



Functional Description

- ◆ Meets NEMA TS1/TS2 Environmental requirements such as temperature, shock, and vibration for traffic control equipment.
- ◆ Meets IEC61000-6-2 EMC Generic Standard Immunity for industrial environment.
- ◆ Support 802.3/802.3u/802.3x. Auto-negotiation: 10/100Mbps, full/half-duplex; Auto MDI/MDIX.
- ◆ 100BaseFX: Multi mode SC, ST, VF-45, MT-RJ, or LC type; Single mode SC or ST type; WDM Single mode SC type.
- ◆ Support 2K MAC addresses. Provides 96K bytes memory buffer.
- ◆ Alarms for power and port failure by relay output.
- ◆ Operating voltage and Max. current consumption: 12VDC @ 0.99A, 24VDC @ 0.55A, 48VDC @ 0.39A. Power consumption: 18.72W Max.
- ◆ Power Supply: Redundant DC Terminal Block power inputs or 12VDC DC JACK with 124-240VAC external power supply.
- ◆ Operating temperature ranges from -34°C to 74°C.
- ◆ Supports Din-rail or panel mounting installation.

LED	State	Indication
POWER		
PWR1 PWR2 (Green)	Steady	Switch is properly connected to power and turned on.
	Off	Switch is not connected to power and is turned off.
FAULT		
FAULT (Red)	Steady	1. Power failure occurred. 2. Port failure occurred (when port fault alarm dip switch is enabled).
	Off	1. Power failure is not occurred. 2. Port failure is not occurred (when port fault alarm dip switch is enabled). 3. Port fault alarm dip switch is disabled.
10/100TX or 100FX		
LNK/ACT (Green)	Steady	A valid network connection established. LNK stands for LINK.
	Flashing	Transmitting or receiving data. ACT stands for ACTIVITY.
100 (Yellow)	Steady	Light solid yellow for a port transferring at 100Mbps.
	Off	The port is transferring at 10Mbps If this LED is dark.

Assembly, Startup, and Dismantling

- ◆ Assembly: Place the switch on the DIN rail from above using the slot. Push the front of the switch toward the mounting surface until it audibly snaps into place.
- ◆ Startup: Connect the supply voltage to start up the switch via the terminal block (or DC JACK).
- ◆ Dismantling: Pull out the lower edge and then remove the switch from the DIN rail.

