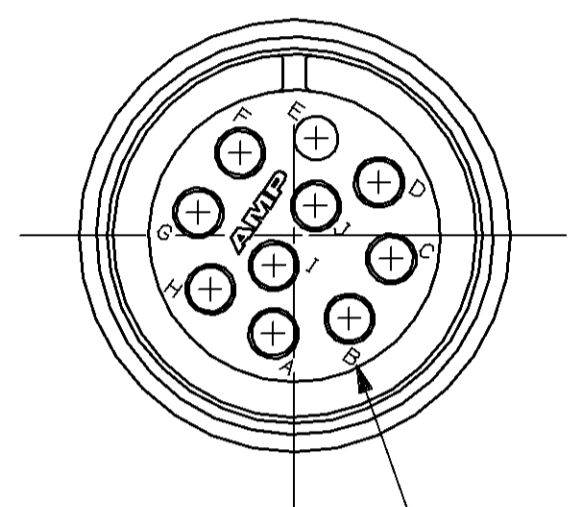
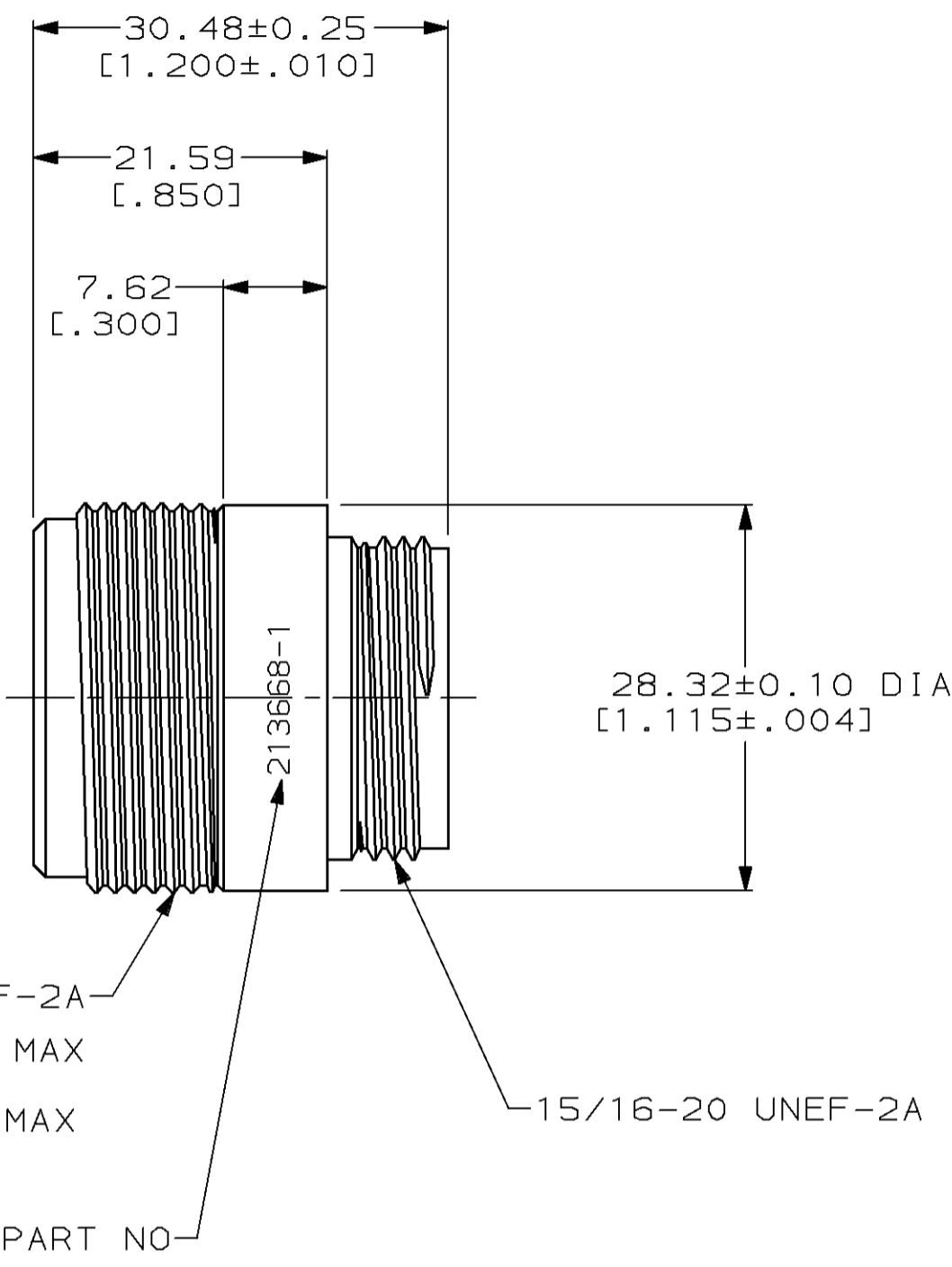


THIS DRAWING IS UNPUBLISHED. RELEASED FOR PUBLICATION, 19 .  
 © COPYRIGHT 19 BY AMP INCORPORATED. ALL INTERNATIONAL RIGHTS RESERVED.

MOD	Loc	DIST	P	F	ZONE	LTR	DESCRIPTION	DATE	APPD
4	BD	35					RLSE, WAS 91-5029-2, NPR 3371	4-91	KB
							REV PER ECN BD5278	08/13/91	KB
							REV PER ECN BD5637	05/29/92	KB
							REV PER EC 0020-155-94	03/10/94	AF
							REV PER EC 0020-0740-94	07/13/94	AF

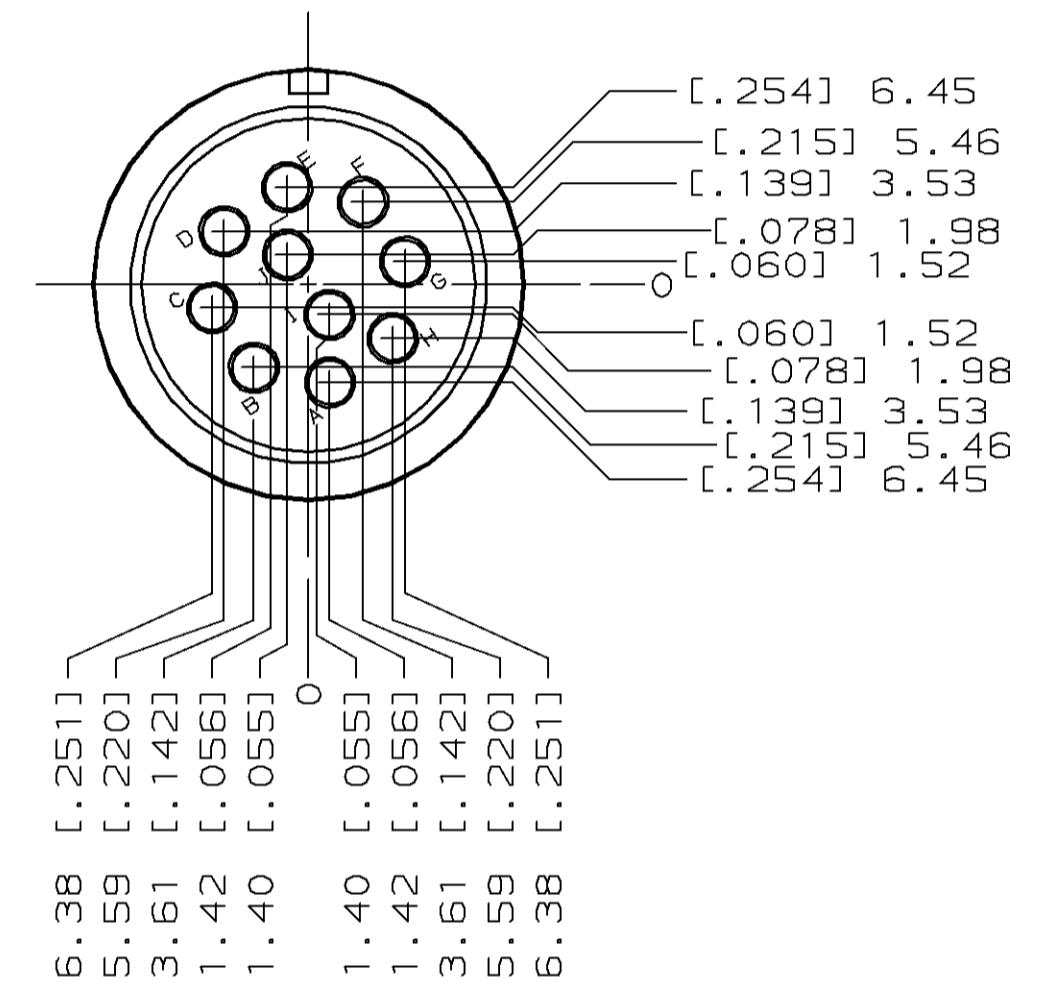


CAVITY IDENTIFICATION LETTERS-  
BOTH SIDES



1 1/8-18 UNEF-2A  
 PD 27.622 MAX  
 [.10875]  
 MAJOR DIA 28.539 MAX  
 [.11236]

AMP PART NO



1. THIS PART ACCEPTS TYPE III+ SOCKET CONTACTS.

DO NOT SCALE PRINT. UNLESS SPECIFIED DIMENSIONS IN mm [INCHES] TOLERANCES ON : 2 PLC DEC ± 0.13 [.005] 3 PLC DEC ± - ANGLES ± 1°		DR 4-30-91 J McCLINTON		213668-1 PART NO	
MATERIAL POLYAMID, BLACK		CHK 5-2-91 R.STONE		AMP Incorporated Harrisburg, PA 17105-3608 NAME RECEPTACLE HOUSING, 18-10, REVERSE SEX, FREE HANGING, CPC	
FINISH -		APPD 5-2-91 K.BEAVER			
PRODUCT SPEC 108-10024		APPD 5-2-91 J.FULPONI		SIZE C 00779	
APPLICATION SPEC 114-10004		WEIGHT -		DRAWING NO 213668	
		SCALE 2:1		SHEET 1 OF 1	