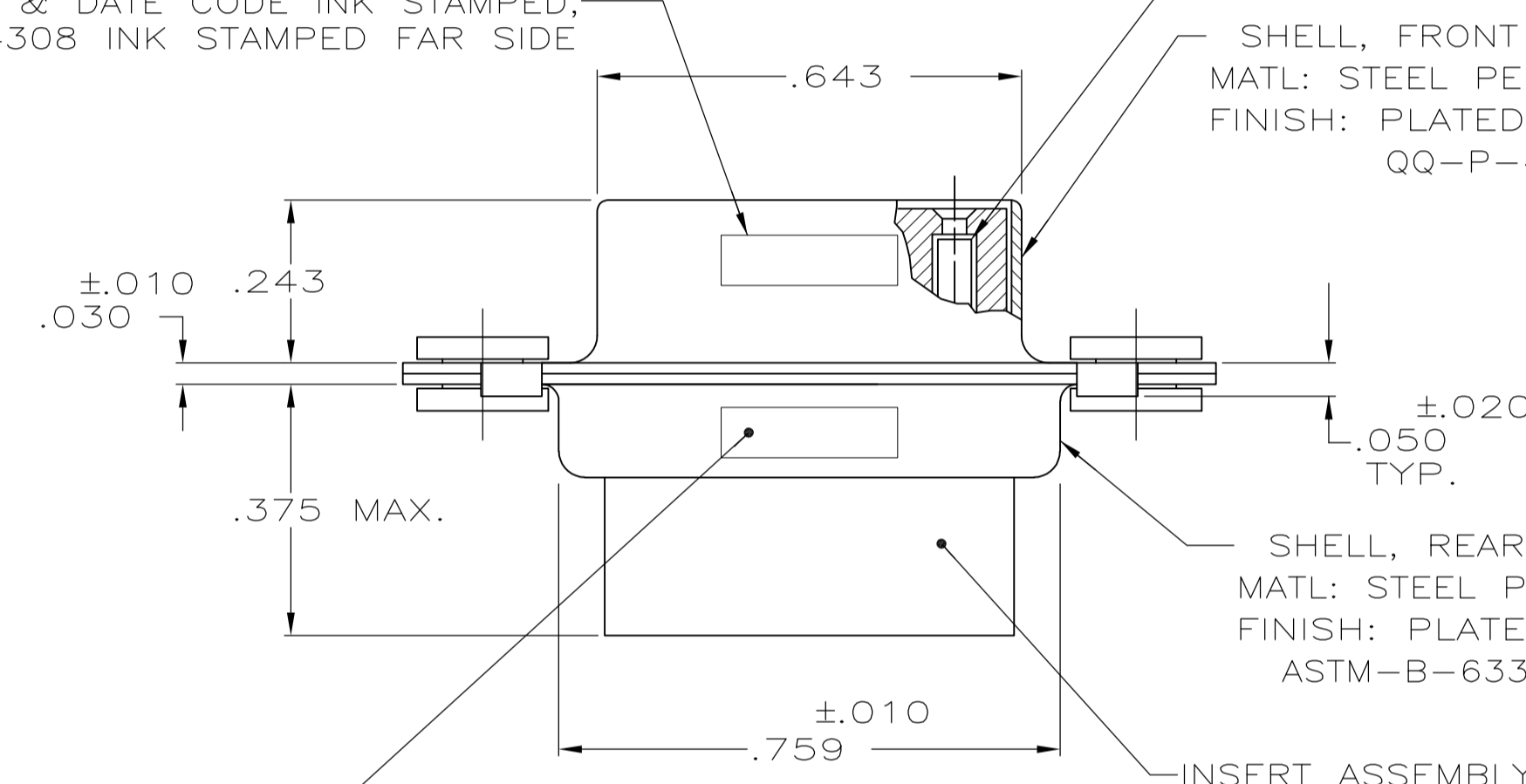


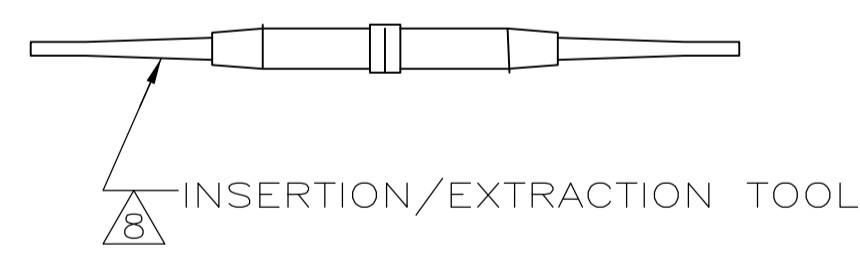
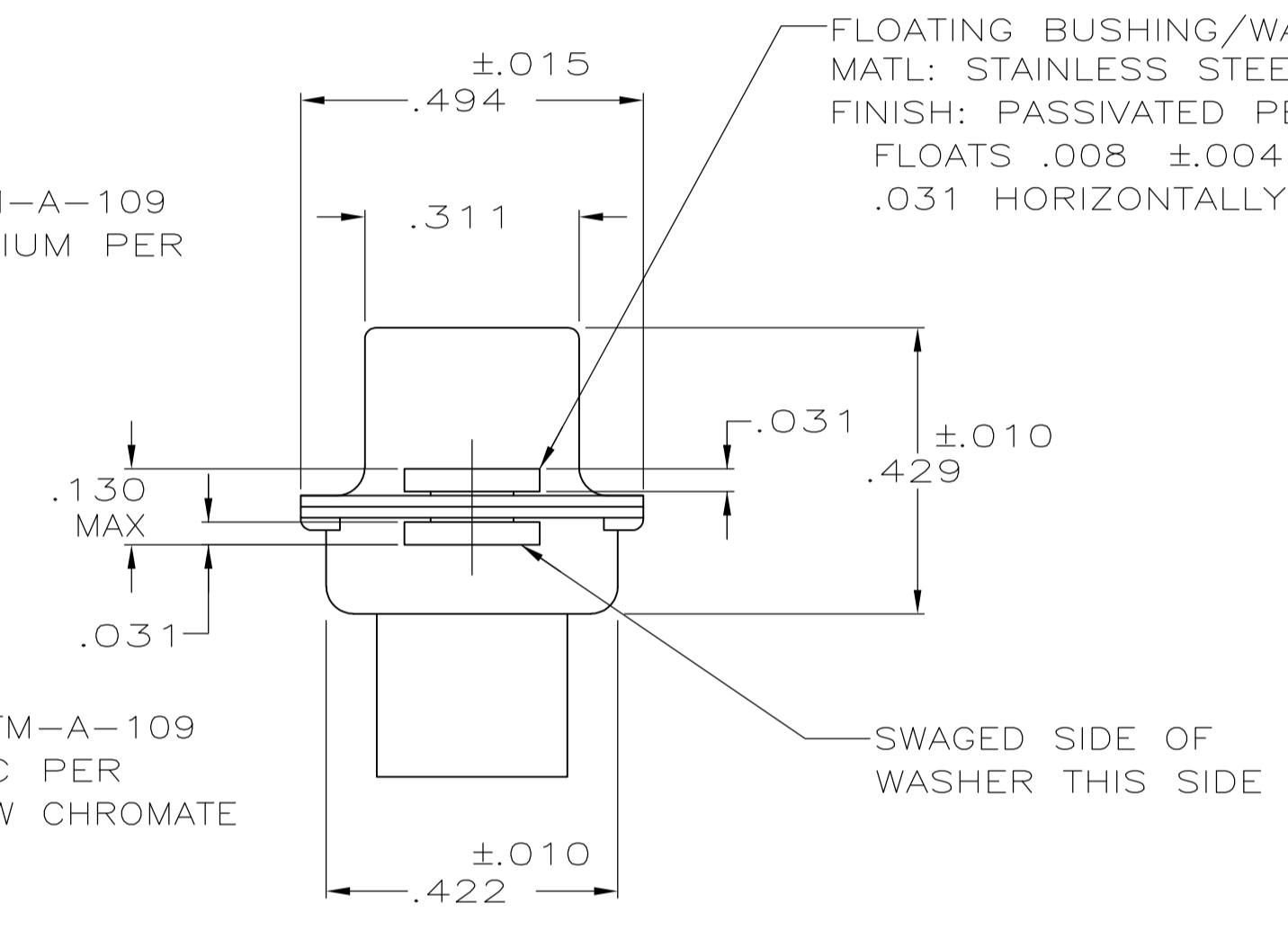
AMP & DATE CODE INK STAMPED, NEAR SIDE; M24308 INK STAMPED FAR SIDE



211536-2 INK STAMPED, NEAR SIDE / 2-347F INK STAMPED, FAR SIDE

SOCKET CONTACT, SIZE 22, 15 REQD.  
 BODY-MATL: BERYLLIUM COPPER PER QQ-C-530  
 FINISH: PLATED GOLD .000050 MIN. THK. PER MIL-G-45204 OVER NICKEL .000050 MIN. THK. PER QQ-N-290  
 HOOD-MAT'L: STAINLESS STEEL PER QQ-S-766  
 FINISH: PASSIVATED PER QQ-P-35B

FLOATING BUSHING/WASHER, 2 REQ'D.  
 MATL: STAINLESS STEEL PER ASTM-A-582  
 FINISH: PASSIVATED PER QQ-P-35B  
 FLOATS .008 ±.004 VERTICALLY & .031 HORIZONTALLY



- THIS RECEPTACLE WILL MATE WITH ANY 15 POSN., SIZE 1 PLUG IN AMPLIMITE SERIES.
- MAXIMUM WIRE INSULATION TO BE USED WITH THIS RECEPTACLE IS .054 DIA.
- SST RETENTION CLIPS ARE INCLUDED IN INSERTS.

- ④ PACKAGE STAMPED M24308/2-487F & AMP P/N 211536-1
- ⑤ PACKAGE STAMPED M24308/2-347F & AMP P/N 211536-2
- ⑥ PACKAGE STAMPED M24308/2-358F & AMP P/N 211536-3
- ⑦ AMP P/N 204351-1; MIL P/N 57-354, INCLUDED IN KIT
- ⑧ AMP P/N 91067-1; MIL P/N M81969/1-04
- ⑨ CONNECTOR SUPPLIED WITHOUT CONTACTS; SHOWN FOR ILLUSTRATION ONLY.
- ⑩ UL/CSA DESIGNATION STAMPED IN THIS AREA.

SUPSD BY 204536-2 & 91067-1	SAME AS -1 EXCEPT: ⑥ ⑦ ⑧	211536-3
	SAME AS -1 EXCEPT: ⑤ ⑦	211536-2
	AS SHOWN	211536-1
	DESCRIPTION	PART NO

THIS DRAWING IS A CONTROLLED DOCUMENT.		DIN D.D. ERDMAN 06-21-85	Tyco Electronics Corporation Harrisburg, PA 17105-3608	
DIMENSIONS: INCHES		CHK R. GRZYBOWSKI 09-20-85	NAME G. SACUNAS	
TOLERANCES UNLESS OTHERWISE SPECIFIED:		PRODUCT SPEC		
0. PLC ± -		APPLICATION SPEC		
1. PLC ± -		SIZE		
2. PLC ± -		CAGE CODE		
3. PLC ± .005		DRAWING NO		
4. PLC ± -		RESTRICTED TO		
ANGLES ± 0° 30'		WEIGHT		
MATERIAL SEE CALLOUT		FINISH SEE CALLOUT		
		A1 00779 C=211536		
		CUSTOMER DRAWING		
		SCALE 4:1 SHEET 1 OF 1 REV G		