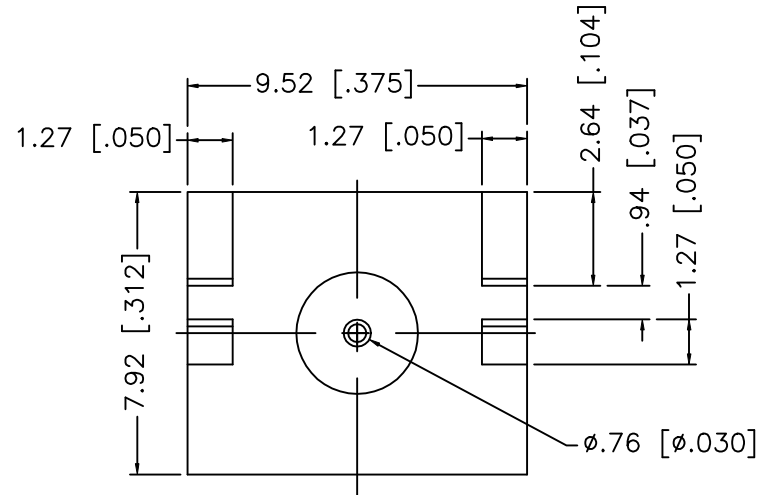
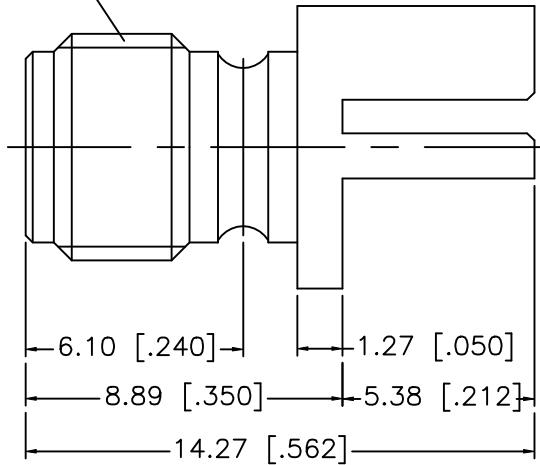


REV.	DATE	DESCRIPTION
NC	05/12/02	INITIAL RELEASE

1/4-36UNS-2A



8				UNLESS OTHERWISE SPECIFIED DIMENSIONS ARE IN MILLIMETERS  DIMENSIONS IN [ ] ARE IN INCHES FOR CUSTOMER REFERENCE ONLY  UNLESS OTHERWISE SPECIFIED TOLERANCES FOR INCHES ARE: .XXX = ± 0.005" .XX = ± 0.010" .X = ± 0.020"	APPROVALS	DATE	<h1 style="text-align: center;">Amphenol - Connex</h1> <p style="text-align: center;">CONNECTOR CORPORATION</p>			
7					DRAWN	G.R.S.				05/12/02
6					CHECKED			TITLE SMA JACK END LAUNCH PC MOUNT (.032" BOARD)		
5					ISSUED					
4							SIZE	FSCM NO.	DWG. NO.	REV.
3	CONTACT PIN	BER. COPPER	GOLD				A	99001	132343.DWG	NC
2	INSULATOR	TEFLON	NATURAL							
1	BODY	BRASS	GOLD							
	DESCRIPTION	MATERIAL	FINISH	DO NOT SCALE DRAWING			SCALE	PART NO.	SHEET	
							NA	132343	1 OF 1	