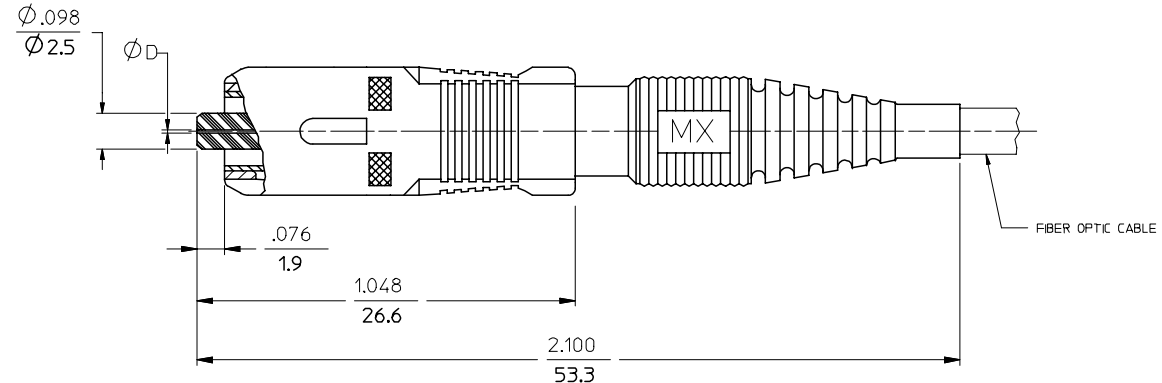
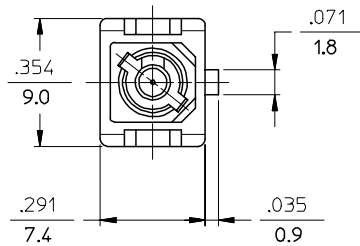


CONNECTOR P/N	Ø (4th)	FERRULE MATERIAL	BOOT COLOR	HOUSING COLOR	CONNECTOR TYPE	CABLE (mm)	CONNECTOR P/N	Ø (4th)	FERRULE MATERIAL	BOOT COLOR	HOUSING COLOR	CONNECTOR TYPE	CABLE (mm)						
106063-0000	127	Zr	BLUE	BLUE	MULTIMODE	3	106063-4000	125	Zr	YELLOW	BLUE	SINGLE MODE	3						
106063-0100								106063-4100		125.25	RED			RED					
106063-0060								106063-4080		125	BLACK			BLACK					
106063-0099			LOW COST Zr	BEIGE			BEIGE	106063-4070			YELLOW			BLUE					
106063-0090								106063-5000			RED			RED					
106063-0360		125.5	Zr	RED	RED	SINGLE MODE	3	106063-5100		126	RED			RED	SINGLE MODE	2.4			
106063-0080										106063-5080	126			BLACK			BLACK		
106063-0070										106063-5070	127			YELLOW			BLUE		
106063-2000										106063-7000				RED			RED		
106063-2080										106063-7080				BLACK			BLACK		
106063-2070								106063-7070		BLUE	BLUE								
106063-3000	128			Zr	BLUE			BLUE	MULTIMODE	2.4	106063-0300	125	YELLOW	BLUE			MULTIMODE	3	
106063-3060												106063-0310	126	YELLOW					BLUE
106063-3080												106063-4300	125	YELLOW					BLUE
106063-3070												106063-5300	126	YELLOW					BLUE
						106063-5310	126	YELLOW			BLUE								
				106063-5099		LOW COST Zr	YELLOW	BLUE											



NOTES:  
 1. ALL DIMENSIONS ARE FOR REFERENCE ONLY.  
 △ P/N 106063-0090, P/N 106063-5100, P/N 106063-0100, P/N 106063-0310 AND P/N 106063-5310 ARE BULK PACKED IN QUANTITIES OF 100 PCS.

ENTER DESCRIPTION EC NO: MF2008-0131 DRAWN/REV: ZNER 2007/09/21 CHKD: 2007/09/21 APPR: JGUMIN 2007/09/25 REV: C2	QUALITY SYMBOLS ▽=0 ▽=0	GENERAL TOLERANCES (UNLESS SPECIFIED)		DIMENSION STYLE	SCALE	DESIGN UNITS	THIRD ANGLE PROJECTION	
		mm	INCH	IN/MM	5:1	INCH		
		4 PLACES ± --- ± ---	3 PLACES ± --- ± ---	2 PLACES ± --- ± ---	1 PLACE ± --- ± ---	DRAWN BY	DATE	TITLE
		ANGULAR ±1/2°				RPACIFICI	2005/12/22	SC CONNECTOR (ONE PIECE DESIGN)
DRAFT WHERE APPLICABLE MUST REMAIN WITHIN DIMENSIONS				APPROVED BY	DATE	MOLEX INCORPORATED		
				MATERIAL NO.	DOCUMENT NO.	SHEET NO.		
				SEE TABLE	SD-106063-XXX0	1 OF 1		
THIS DRAWING CONTAINS INFORMATION THAT IS PROPRIETARY TO MOLEX INCORPORATED AND SHOULD NOT BE USED WITHOUT WRITTEN PERMISSION								