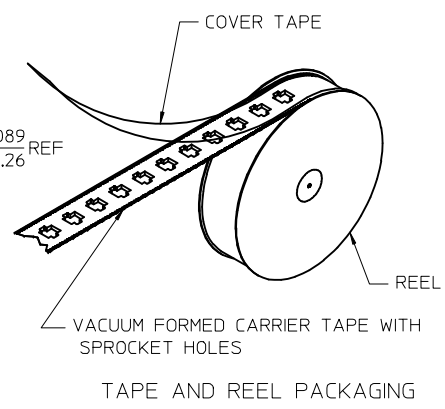
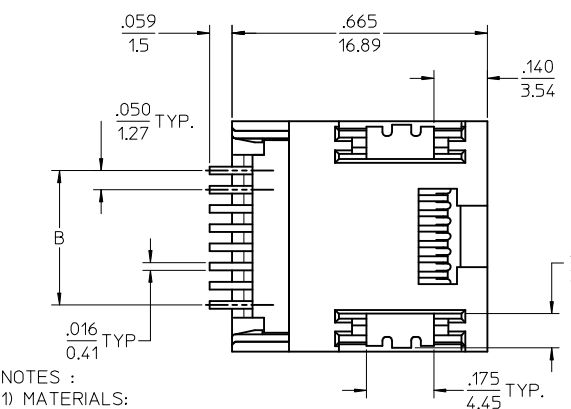


HOUSING SIZE	CIRCUIT SIZE	DIM. A	DIM. B
6	6	.520 (13.21)	.250 (6.35)
6	4	.520 (13.21)	.150 (3.81)
6	2	.520 (13.21)	.050 (1.27)
8	8	.600 (15.24)	.350 (8.89)
8	6	.600 (15.24)	.250 (6.35)



- NOTES :
- MATERIALS:  
HOUSING: NYLON, GLASS-FILLED, UL94V-0; COLOR - SEE CHART  
TERMINALS: PHOSPHOR BRONZE, .012/(0.30) THICK  
FITTING NAILS: BRASS ALLOY, .010/(0.25) THICK
  - FINISH:  
TERMINALS:  
(A) SELECT GOLD IN CONTACT AREA: .000050/(0.00127) MIN.,  
\*SELECT MATTE TIN IN PC TAIL AREA: .000100/(0.00254) MIN.,  
WITH OVERALL NICKEL UNDERPLATE: .000050/(0.00127) MIN.  
(B) SELECT GOLD IN CONTACT AREA: .000030/(0.00076) MIN.,  
\*SELECT MATTE TIN IN PC TAIL AREA: .000100/(0.00254) MIN.,  
WITH OVERALL NICKEL UNDERPLATE: .000050/(0.00127) MIN.  
(C) SELECT GOLD IN CONTACT AREA: .000015/(0.00038) MIN.,  
\*SELECT MATTE TIN IN PC TAIL AREA: .000100/(0.00254) MIN.,  
WITH OVERALL NICKEL UNDERPLATE: .000050/(0.00127) MIN.  
FITTING NAILS:  
\*100 MICRONS MATTE TIN OVER 50 MICRONS NICKEL UNDERPLATE  
\*THE PRIMARY SHIPPING CARTON WILL BE LABELED "ELV AND RoHS COMPLIANT" CARTONS WITHOUT THIS LABEL MAY CONTAIN PRODUCT WITH TIN-LEAD IN THE PC TAIL AND/OR FITTING NAILS.
  - PRODUCT SPECIFICATION: PS-43743-001
  - COPLANARITY SPECIFICATION:  
WITH THE MODULAR JACK SITTING ON A LEVEL SURFACE, THE MAXIMUM GAP BETWEEN THE LEVEL SURFACE AND ALL TERMINAL TAILS AND BOTH FITTING NAILS IS .006/(0.15).
  - FOR ASSEMBLIES HAVING VOIDED CIRCUITS, THE TAIL PORTION IS CUT AND REMOVED. THE MATING PORTION OF THE TERMINAL REMAINS INTACT.
  - CONVECTION SOLDERING TECHNOLOGY SHOULD BE USED WHEN GANGING MODULAR JACKS WITH INBOARD NAILS SIDE-BY-SIDE.
  - THIS PART CONFORMS TO CLASS B REQUIREMENTS OF COSMETIC SPECIFICATION PS-45499-002.

\*X\* NOT TOOLED

	ASSEMBLY ITEM NO.	CONNECTOR SIZE	CIRCUIT SIZE	TERMINAL PLATING	TAPE & REEL PACKAGING No.	VOIDED CIRCUITS	HOUSING COLOR
X	44144-0001	8	4	A	PK-70873-7002	NA	BLACK
X	44144-0002	8	6	A	PK-70873-7002		
X	44144-0003	8	8	A	PK-70873-7002		
	44144-0004	6	4	A	PK-70873-7001		
	44144-0005	6	6	A	PK-70873-7001		
X	44144-0006	8	4	B	PK-70873-7002		
X	44144-0007	8	6	B	PK-70873-7002		
X	44144-0008	8	8	B	PK-70873-7002		
X	44144-0009	6	4	B	PK-70873-7001		
X	44144-0010	6	6	B	PK-70873-7001		
X	44144-0011	8	4	C	PK-70873-7002		
X	44144-0012	8	6	C	PK-70873-7002		
	44144-0013	8	8	C	PK-70873-7002		
	44144-0014	6	4	C	PK-70873-7001		
X	44144-0015	6	6	C	PK-70873-7001	NA	
X	44144-0016	8	4	C	PK-70873-7001	2,3,6,7	
X	44144-0017	6	2	A	PK-70873-7001	NA	
X	44144-0018	6	2	B	PK-70873-7001		
X	44144-0019	6	2	C	PK-70873-7001		
X	44144-0023	8	2	A	PK-70873-7002	NA	

2	G
1	H4
SH	REV

ACTIVE 441440013 EC NO: UCP2017-1854 DRWNAFENG02 2017/02/23 CHKD: APPR:KLANG 2017/02/27 H6 REV	QUALITY SYMBOLS ▽=0 ▽=0	GENERAL TOLERANCES (UNLESS SPECIFIED)		DIMENSION STYLE IN/MM		SCALE	DESIGN UNITS INCH	THIRD ANGLE PROJECTION		
		4 PLACES ± --- INCH 3 PLACES ± --- ±.010 2 PLACES ±.025 ±.015 1 PLACE ±0.38 ± ---	mm INCH	DRAWN BY MUELLER	DATE 98/03/13	TITLE 4, 6, 8 CIRCUIT SMT MODULAR JACK W/ FLUSH FITTING NAILS		MOLEX INCORPORATED		SHEET NO. 1 OF 2
		ANGULAR ±1/2°		CHECKED BY ROBERTS	DATE 98/03/16	APPROVED BY R EDGLEY		DATE 98/03/17	DOCUMENT NO. SD-44144-001	
		DRAFT WHERE APPLICABLE MUST REMAIN WITHIN DIMENSIONS		SEE CHART		THIS DRAWING CONTAINS INFORMATION THAT IS PROPRIETARY TO MOLEX INCORPORATED AND SHOULD NOT BE USED WITHOUT WRITTEN PERMISSION				