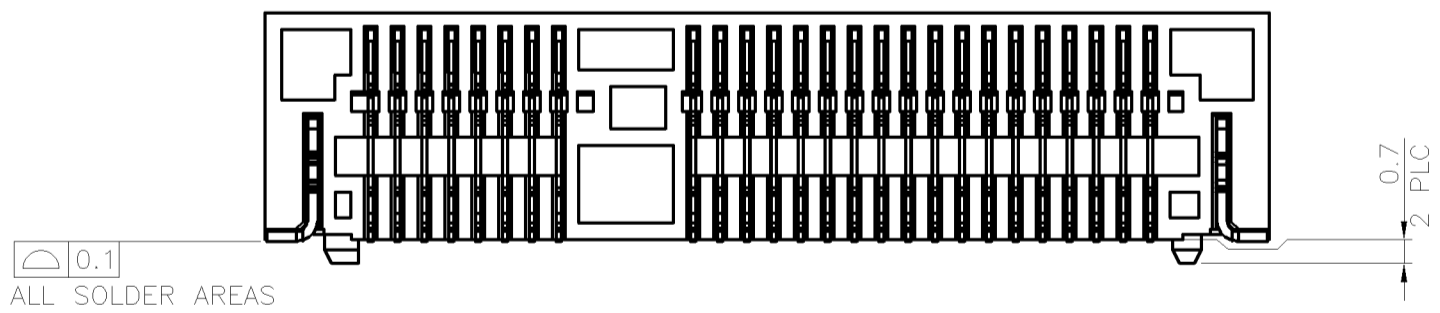
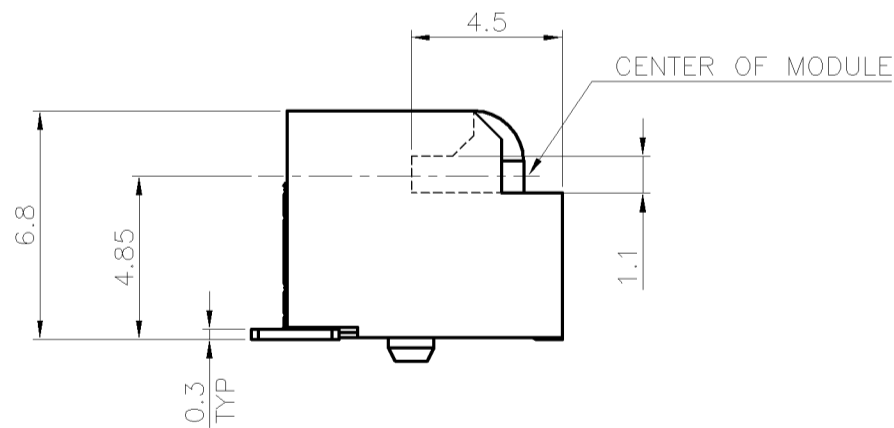
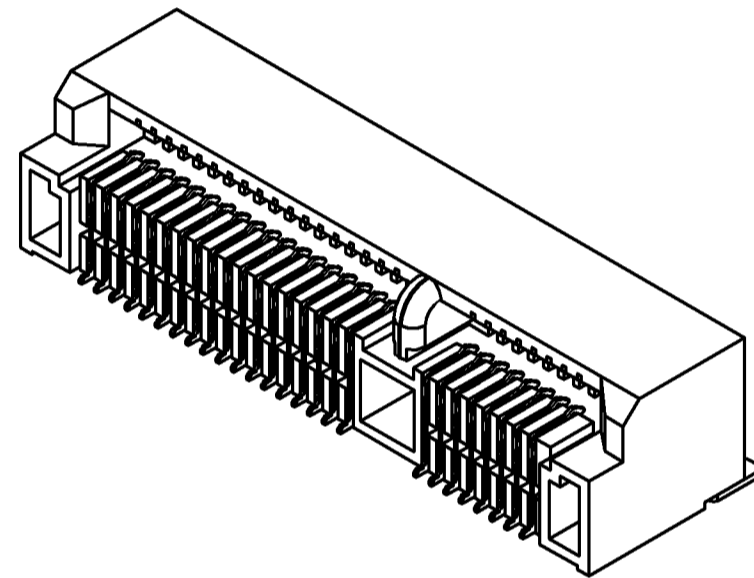
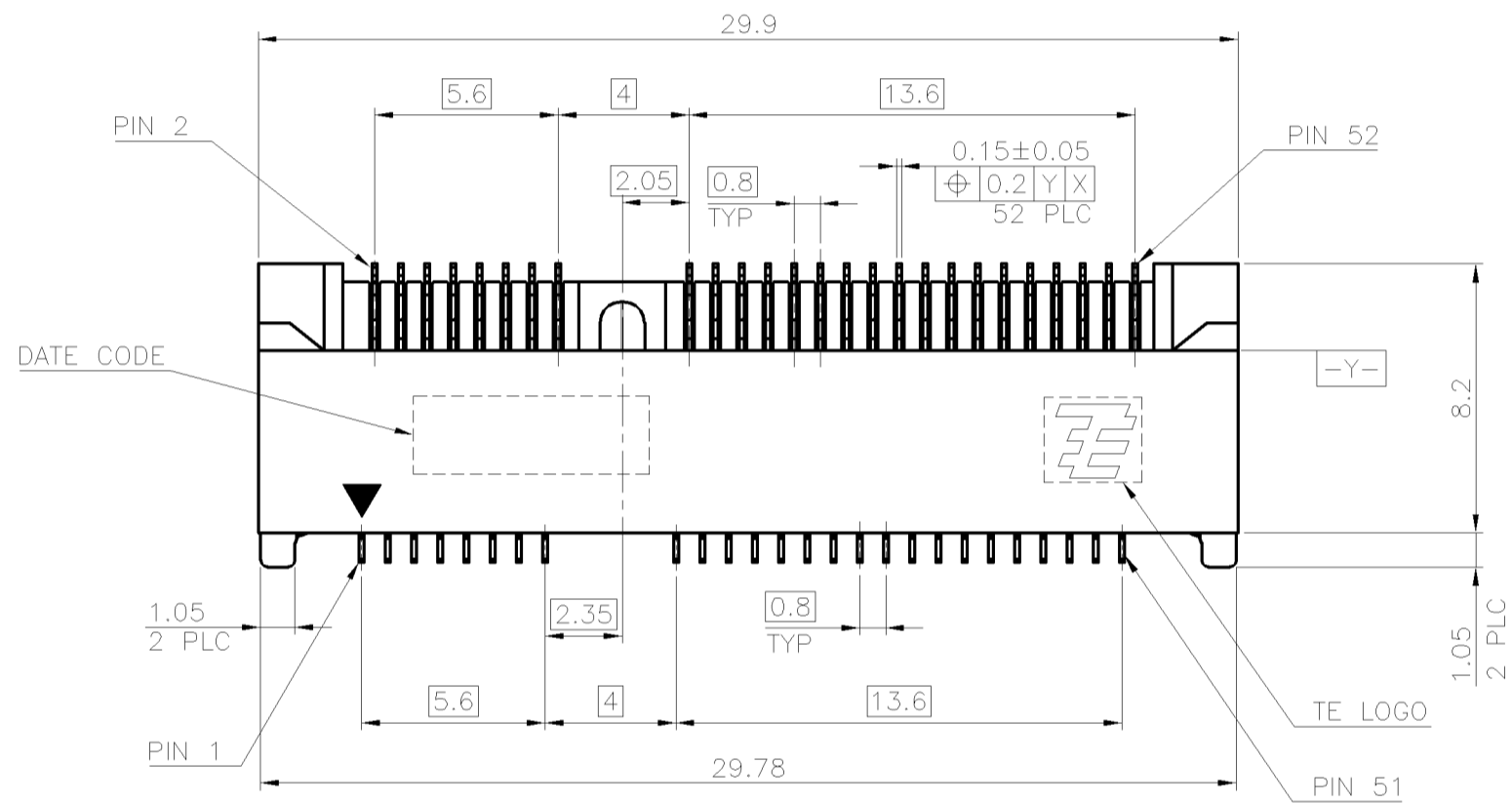
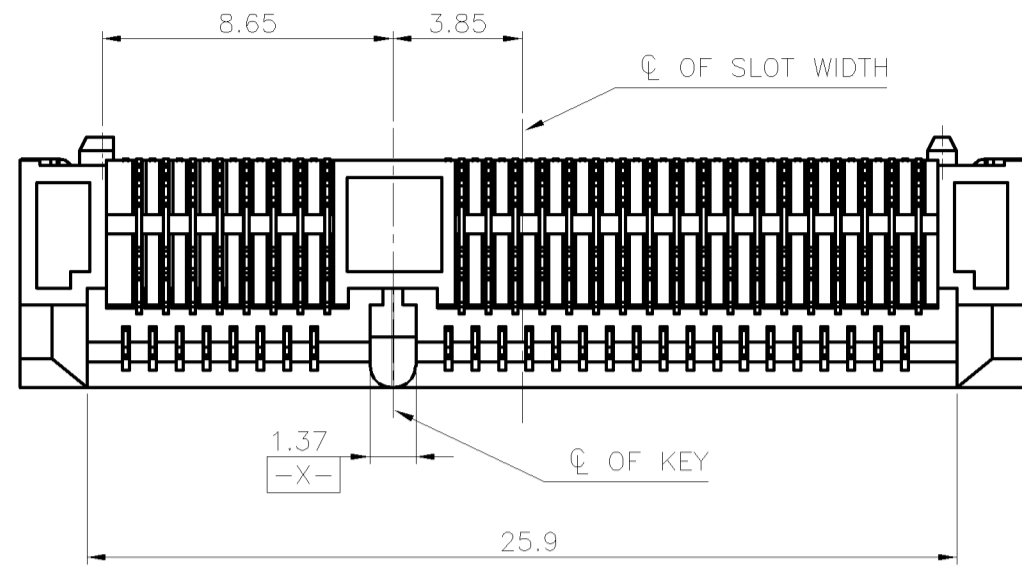


THIS DRAWING IS UNPUBLISHED. RELEASED FOR PUBLICATION
 © COPYRIGHT 2011 BY TE CONNECTIVITY. ALL RIGHTS RESERVED.

LOC		DIST		REVISIONS			
P	LTR	DESCRIPTION	DATE	DWN	APVD		
C		ECR-11-018217	02SEP11	AW	WK		

NOTES:

- MATERIAL:
HOUSING: LCP WITH 40% GF, UL94 V-0, BLACK COLOR.
CONTACTS: PHOSPHOR BRONZE.
PEGS: BRASS.
- FINISH:
CONTACTS: (SEE TABLE) GOLD PLATED ON CONTACT AREA, GOLD FLASH ON SOLDER AREA, WITH ENTIRE CONTACT UNDERPLATED 1.27µm [50µ"] MIN. NICKEL.
PEGS: 2.54µm [100µ"] MIN. MATTE-TIN OVER 1.27µm [50µ"] MIN. NICKEL.
- REFLOW SOLDER CAPABLE TO 260° PER TEC-109-201, CONDITION B.
- SUBSTANCE RESTRICTIONS FOR LOW HALOGEN (BY WEIGHT):
 - BROMINE (Br) ≤ 900 PPM (0.09%)
 - CHLORINE (Cl) ≤ 900 PPM (0.09%)
 - TOTAL CONCENTRATION OF CHLORINE (Cl) + BROMINE (Br) ≤ 1500 PPM (0.15%)



PCI-E MINI CARD CONNECTOR SIGNAL ASSIGNMENTS

PIN#	NAME	PIN#	NAME
51	Reserved	52	+3.3Vaux
49	Reserved	50	GND
47	Reserved	48	+1.5V
45	Reserved	46	LED_WPAN#
43	GND	44	LED_WLAN#
41	+3.3Vaux	42	LED_WWAN#
39	+3.3Vaux	40	GND
37	GND	38	USB_D+
35	GND	36	USB_D-
33	PETp0	34	GND
31	PETn0	32	SMB_DATA
29	GND	30	SMB_CLK
27	GND	28	+1.5V
25	PERp0	26	GND
23	PERn0	24	+3.3Vaux
21	GND	22	PERST#
19	Reserved* (UIM_C4)	20	W_DISABLE#
17	Reserved* (UIM_C8)	18	GND

MECHANICAL KEY			
15	GND	16	UIM_VPP
13	REFCLK+	14	UIM_RESET
11	REFCLK-	12	UIM_CLK
9	GND	10	UIM_DATA
7	CLKREQ#	8	UIM_PWR
5	COEX2	6	1.5V
3	COEX1	4	GND
1	WAKE#	2	3.3Vaux

* Reserved for future UIM interface (if needed)

mSATA CONNECTOR SIGNAL ASSIGNMENTS

PIN#	NAME	PIN#	NAME
51	Presence Defection	52	+3.3V
49	DA/DSS	50	GND
47	Vendor	48	+1.5V
45	Vendor	46	Reserved
43	No Connect	44	Reserved
41	+3.3V	42	Reserved
39	+3.3V	40	GND
37	GND	38	Reserved
35	GND	36	Reserved
33	+A	34	GND
31	-A	32	Two Wire Interface
29	GND	30	Two Wire Interface
27	GND	28	+1.5V
25	-B	26	GND
23	+B	24	+3.3V
21	GND	22	Reserved
19	Reserved	20	Reserved
17	Reserved	18	GND

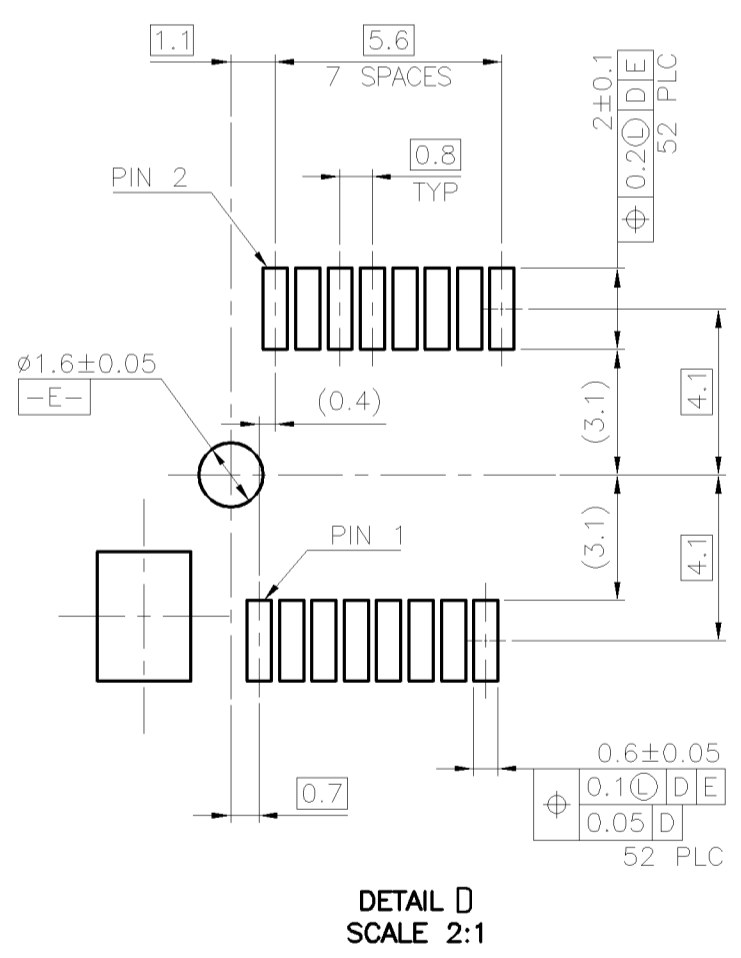
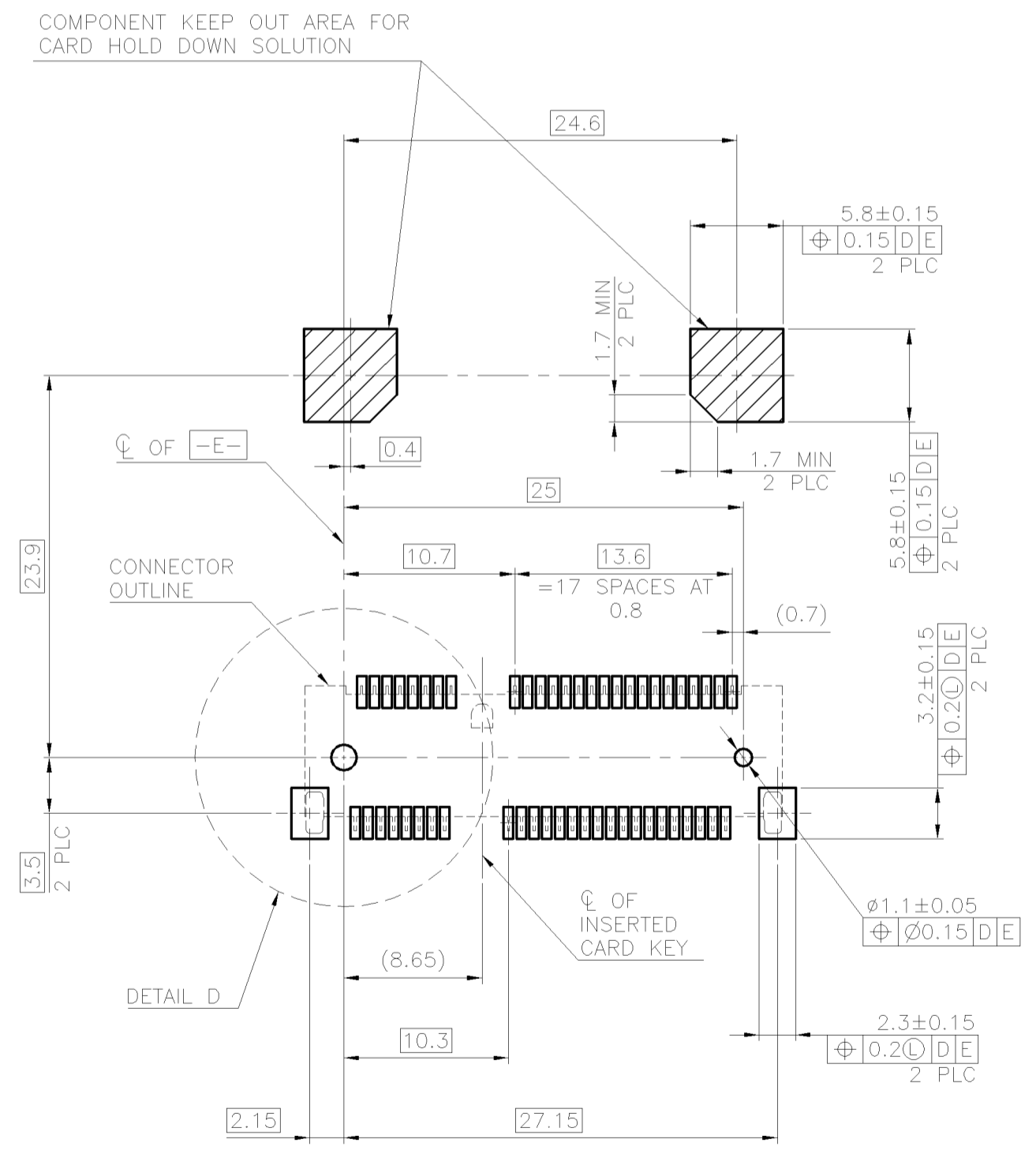
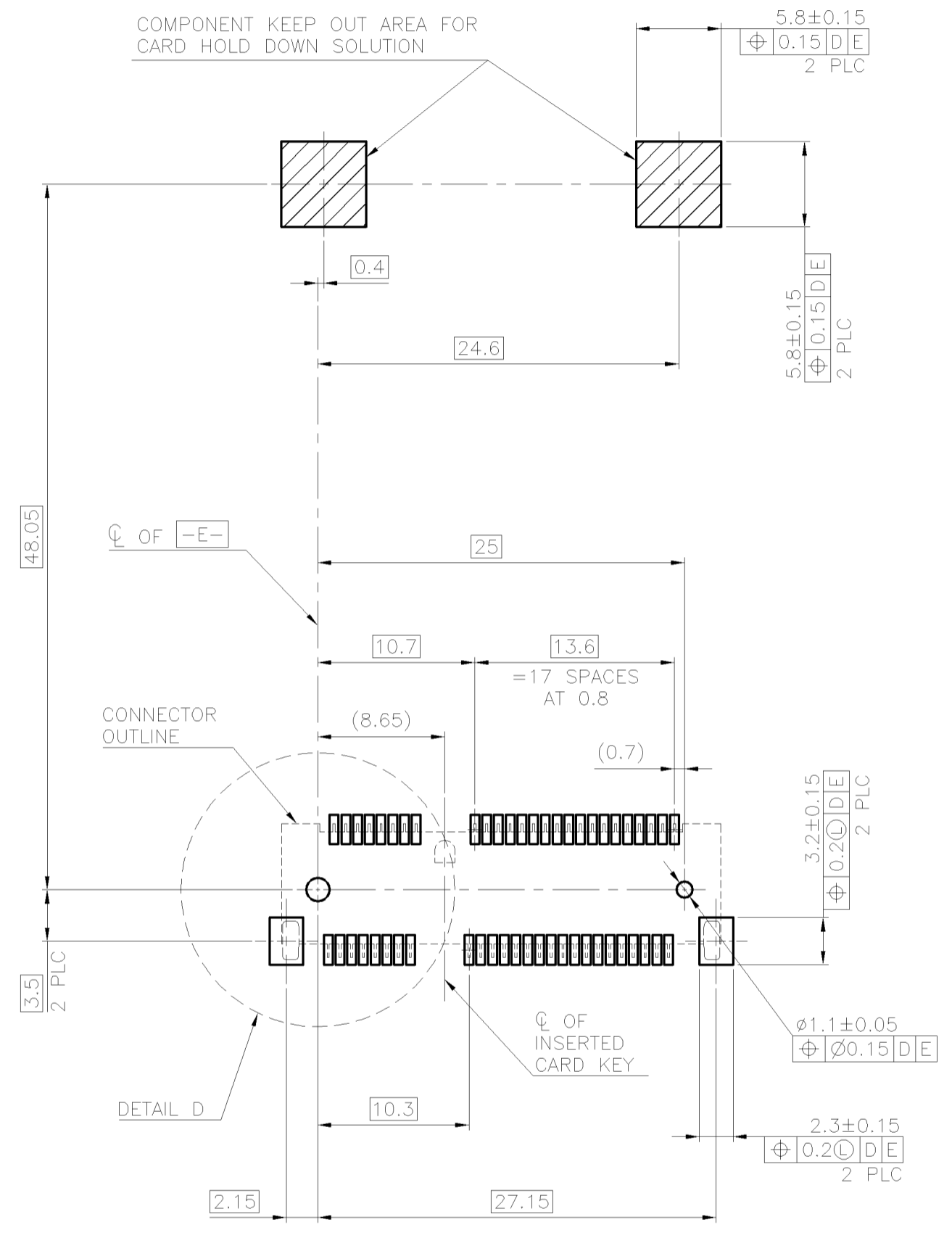
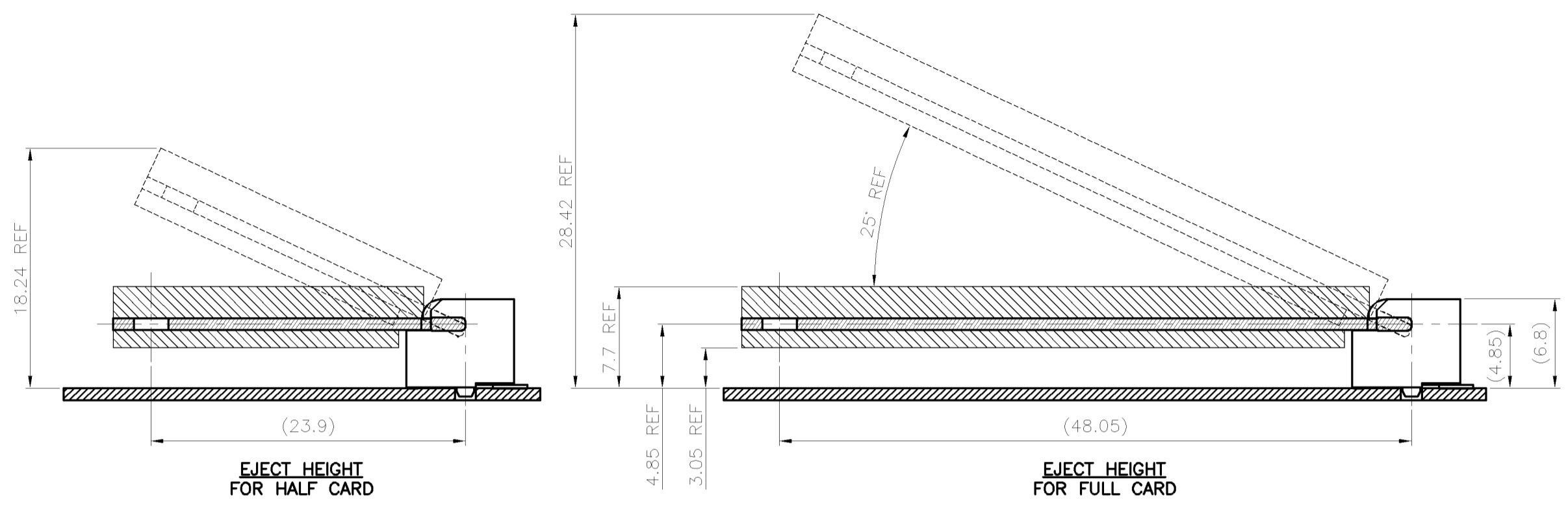
MECHANICAL KEY			
15	GND	16	Reserved
13	Reserved	14	Reserved
11	Reserved	12	Reserved
9	GND	10	Reserved
7	Reserved	8	Reserved
5	Reserved	6	+1.5V
3	Reserved	4	GND
1	Reserved	2	+3.3V

0.254µm [10µ"]	2041262-2
GOLD FLASH	2041262-1
MIN. GOLD THICKNESS	PART NUMBER

THIS DRAWING IS A CONTROLLED DOCUMENT.		DWN A. WU 10MAY2010		
DIMENSIONS: MM		CHK S. CHIEN 10MAY2010		
TOLERANCES UNLESS OTHERWISE SPECIFIED:		APVD W. KODAMA 10MAY2010	NAME	
0 PLC ± -		PRODUCT SPEC	2 IN 1 mSATA & PCI EXPRESS MINI CARD CONNECTOR, 6.8 MM HEIGHT	
1 PLC ±0.3		APPLICATION SPEC	108-99102	
2 PLC ±0.2		WEIGHT	2.22 GRAMS	
3 PLC ± -		CUSTOMER DRAWING	A2 00779 C=2041262	
4 PLC ± -		FINISH	SEE NOTE	
ANGLES ±3°		SCALE	1 OF 5	
MATERIAL		SEE NOTE	REV C	

THIS DRAWING IS UNPUBLISHED. RELEASED FOR PUBLICATION
 © COPYRIGHT 2011 BY TE CONNECTIVITY. ALL RIGHTS RESERVED.

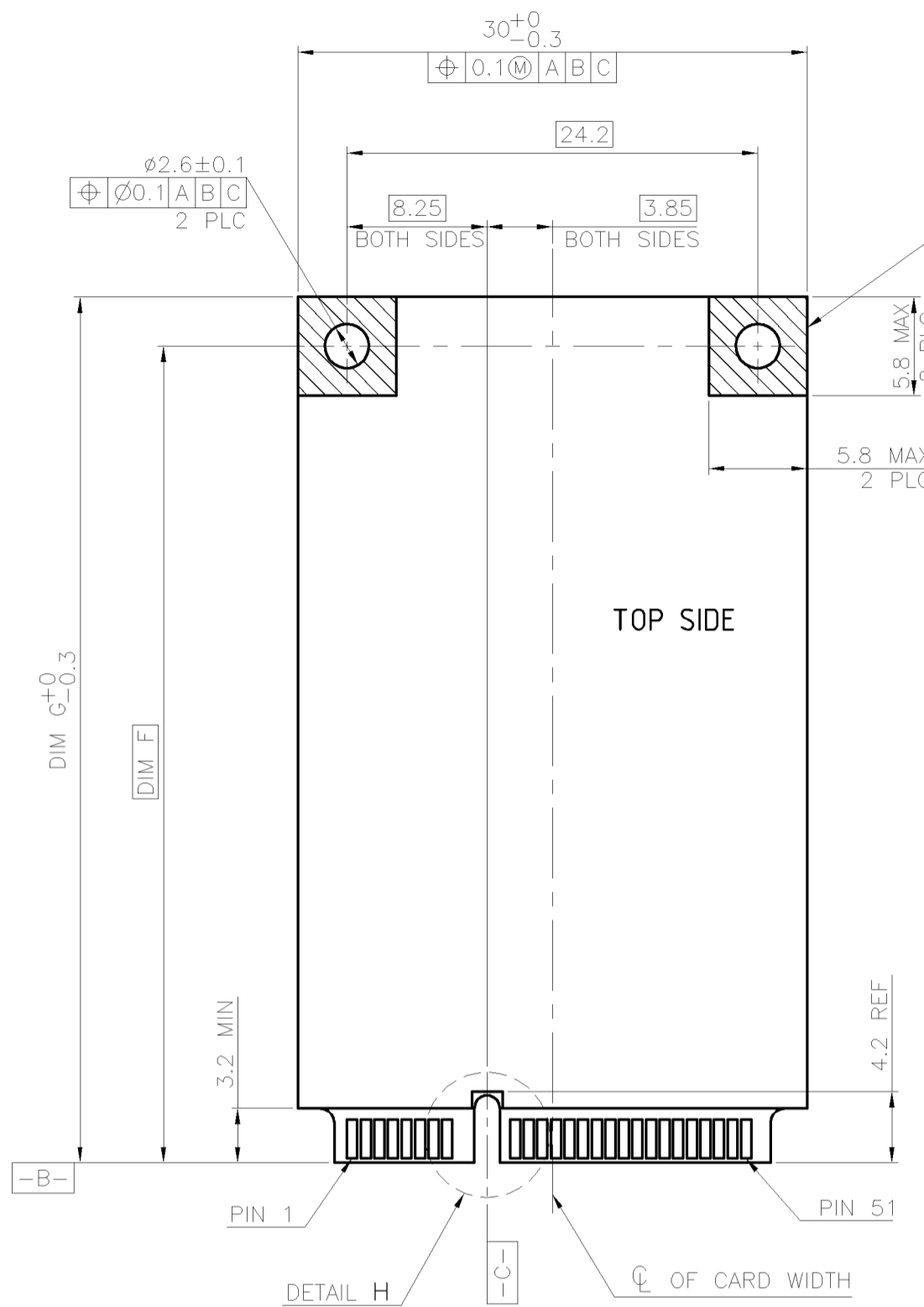
LOC	DIST	REVISIONS			
P	LTR	DESCRIPTION	DATE	DWN	APVD
DW	-	SEE SHEET 1			



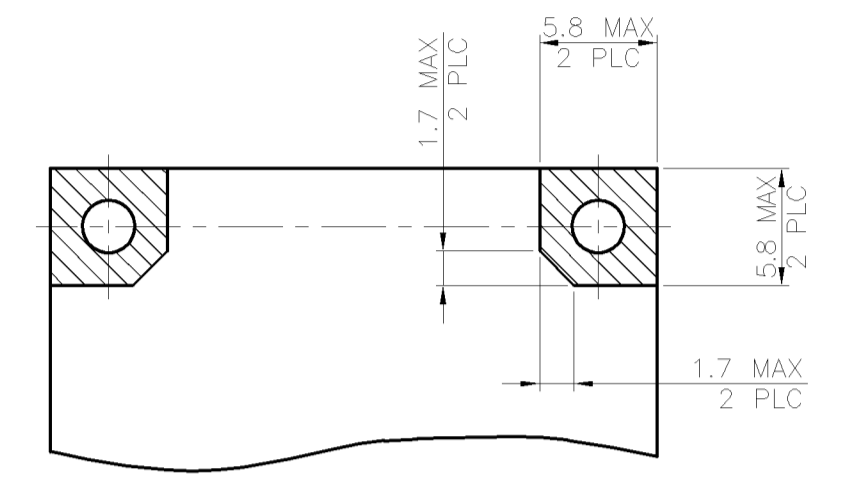
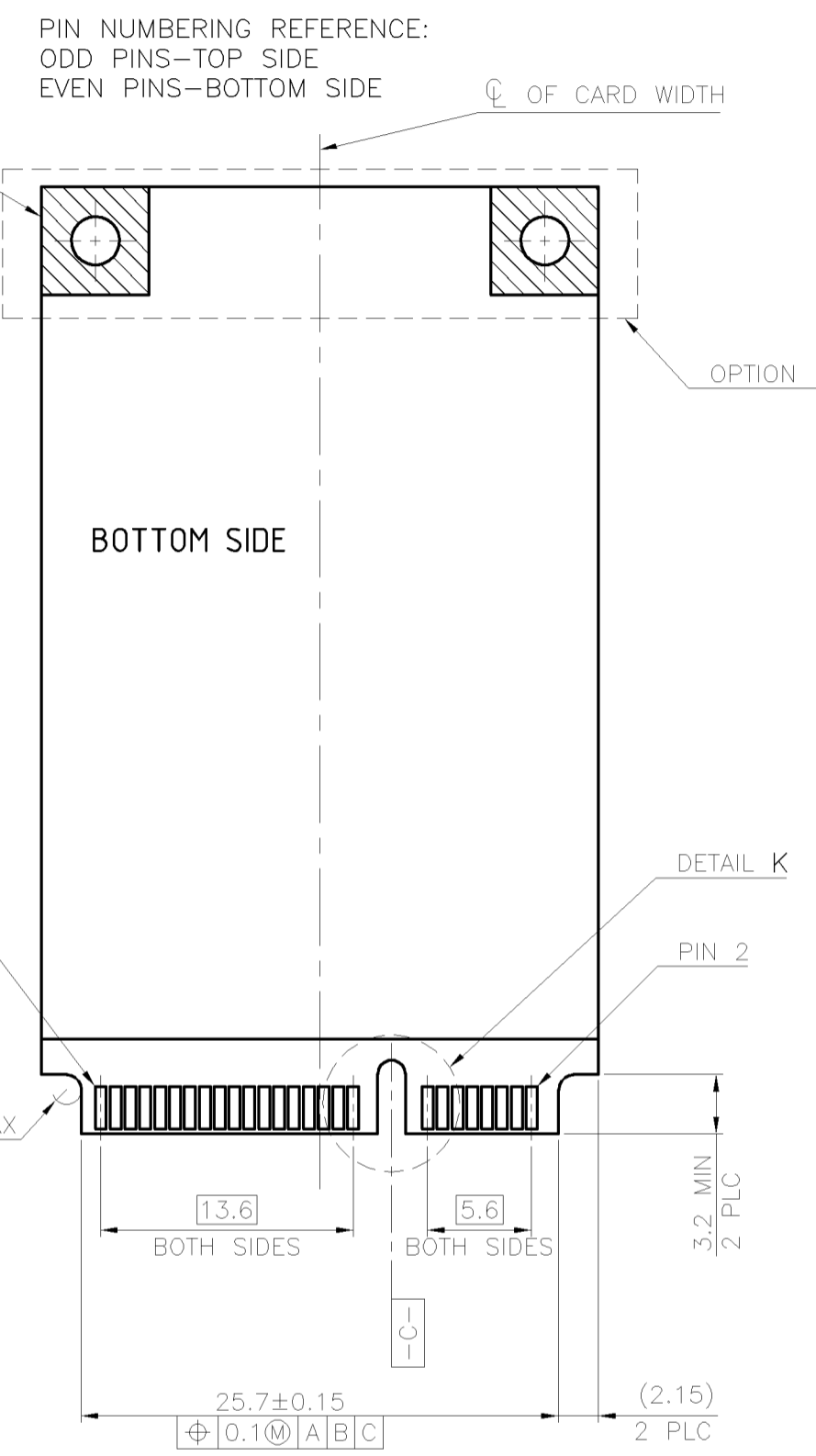
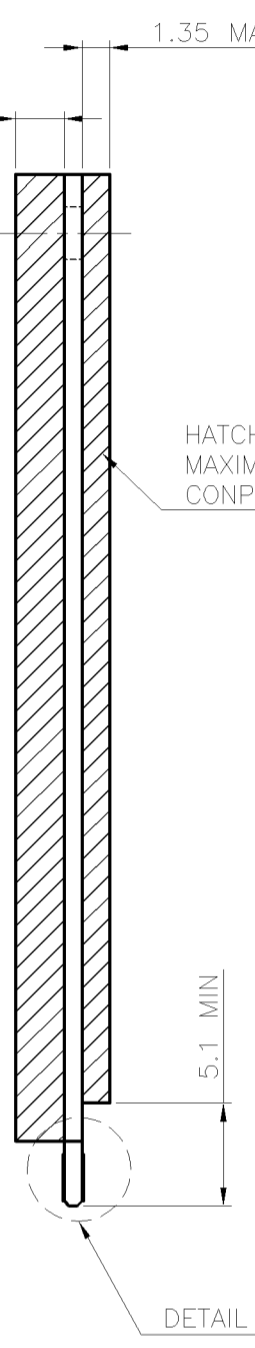
THIS DRAWING IS A CONTROLLED DOCUMENT.		DWN A. WU 10MAY2010	TE Connectivity	
DIMENSIONS: MM		CHK S. CHIEN 10MAY2010	2 IN 1 mSATA & PCI EXPRESS MINI CARD CONNECTOR, 6.8 MM HEIGHT	
TOLERANCES UNLESS OTHERWISE SPECIFIED:		APVD W. KODAMA 10MAY2010	NAME	RESTRICTED TO
0 PLC	±	PRODUCT SPEC	SIZE	
1 PLC	±	APPLICATION SPEC	CAGE CODE	
2 PLC	±		DRAWING NO	
3 PLC	±		A2 00779	
4 PLC	±		C=2041262	
ANGLES	±		SCALE	
FINISH	±		SHEET	2 OF 5
MATERIAL		WEIGHT	REV	C
		CUSTOMER DRAWING		

THIS DRAWING IS UNPUBLISHED. RELEASED FOR PUBLICATION
 © COPYRIGHT 2011 BY TE CONNECTIVITY. ALL RIGHTS RESERVED.

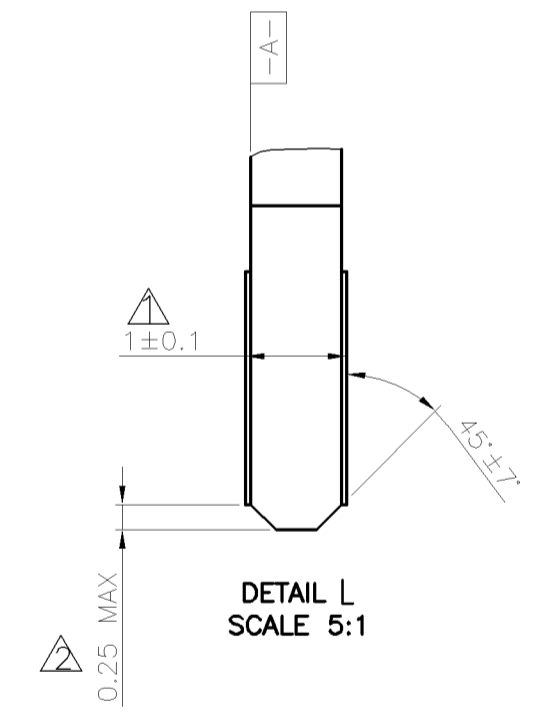
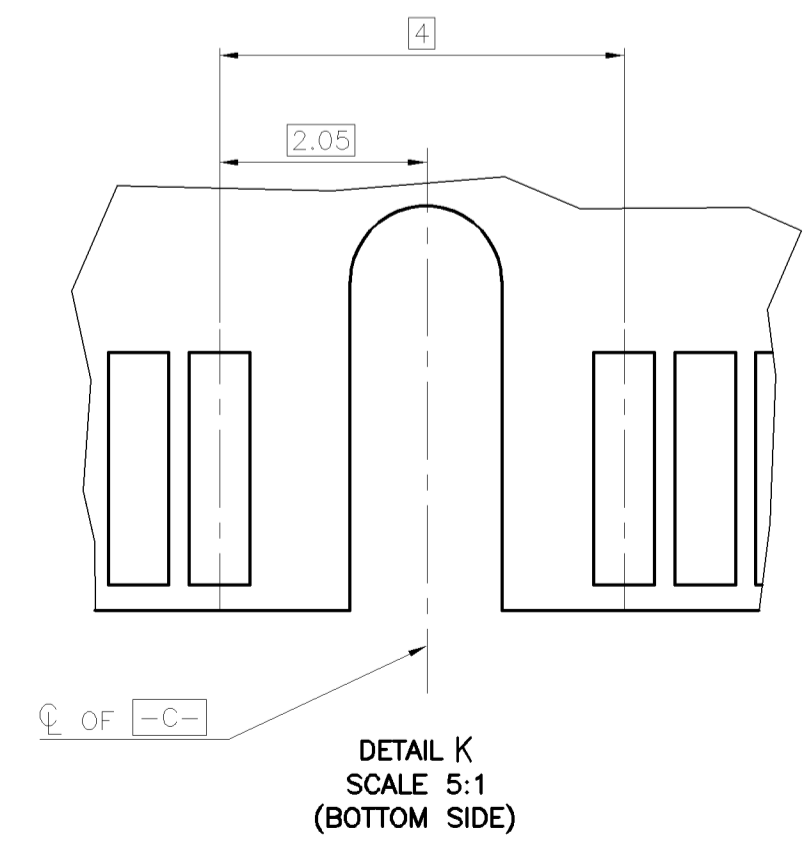
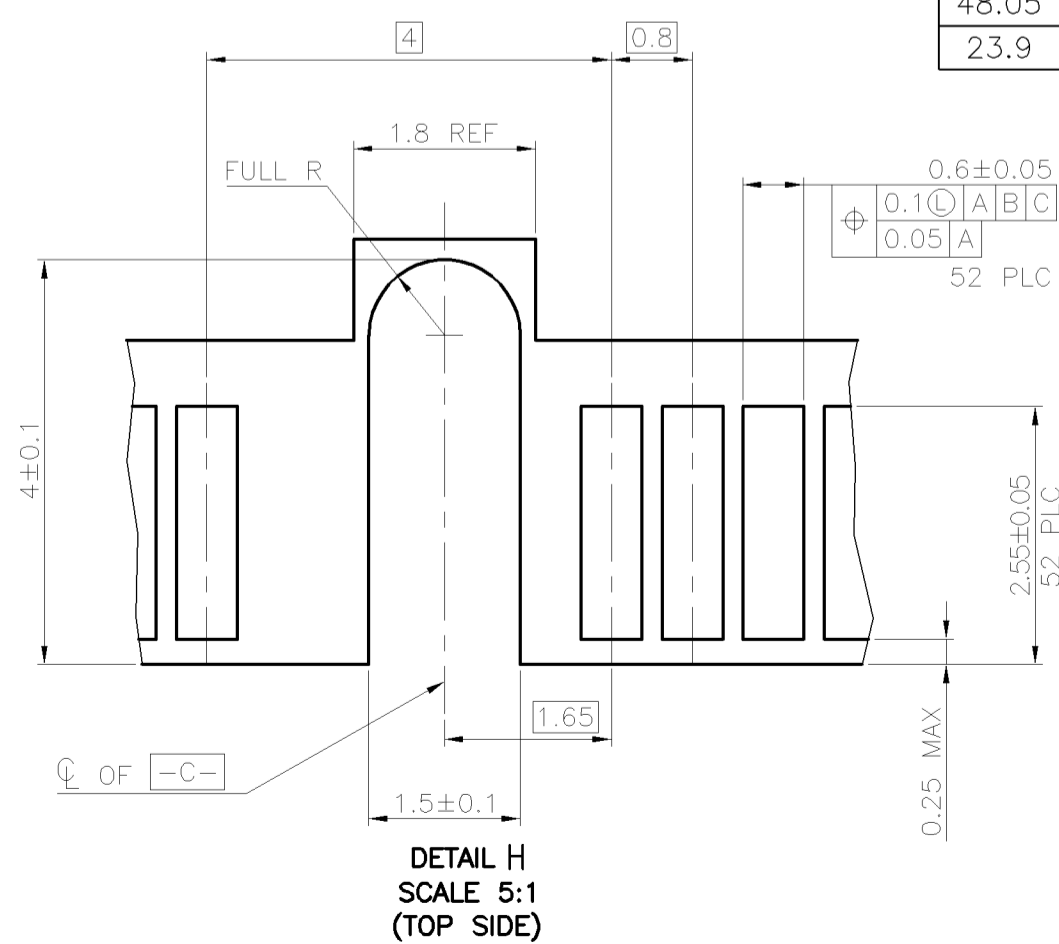
LOC	DIST	REVISIONS					
DW	-	P	LTR	DESCRIPTION	DATE	DWN	APVD
				SEE SHEET 1			



COMPONENT AND ROUTING (ALL LAYERS)
 KEEP OUT AREA FOR HOLD DOWN SOLUTIONS



DIM F	DIM G	
48.05	50.95	FULL-MINI CARD
23.9	26.8	HALF-MINI CARD



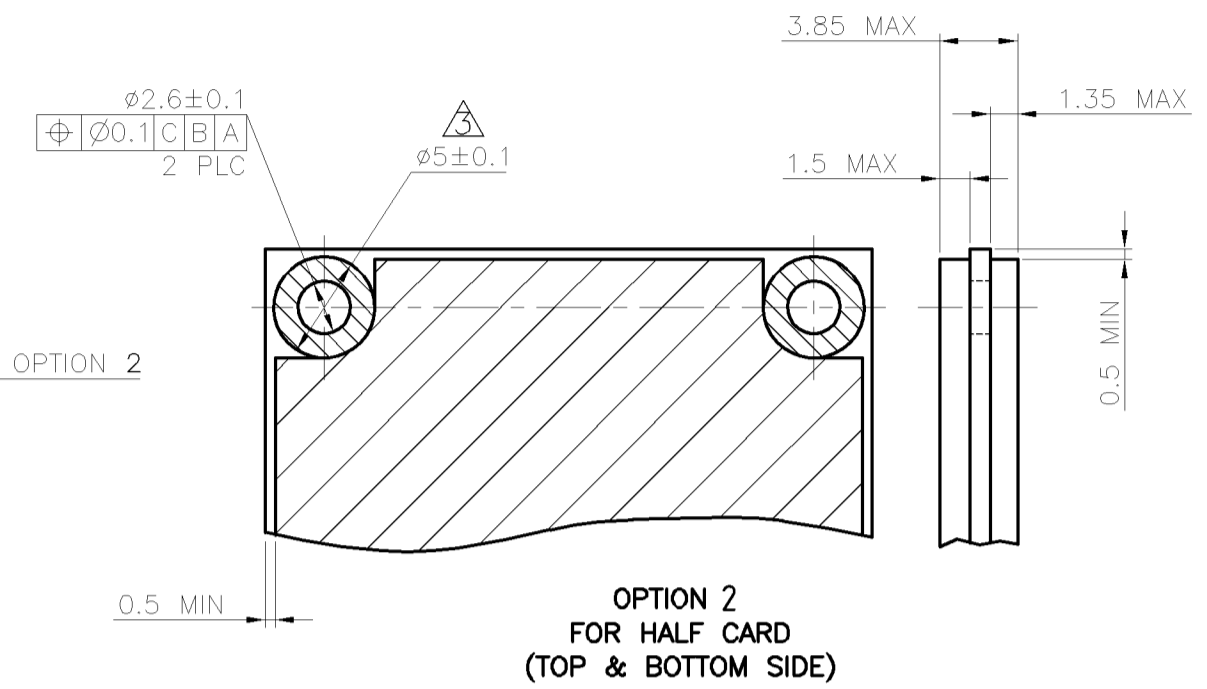
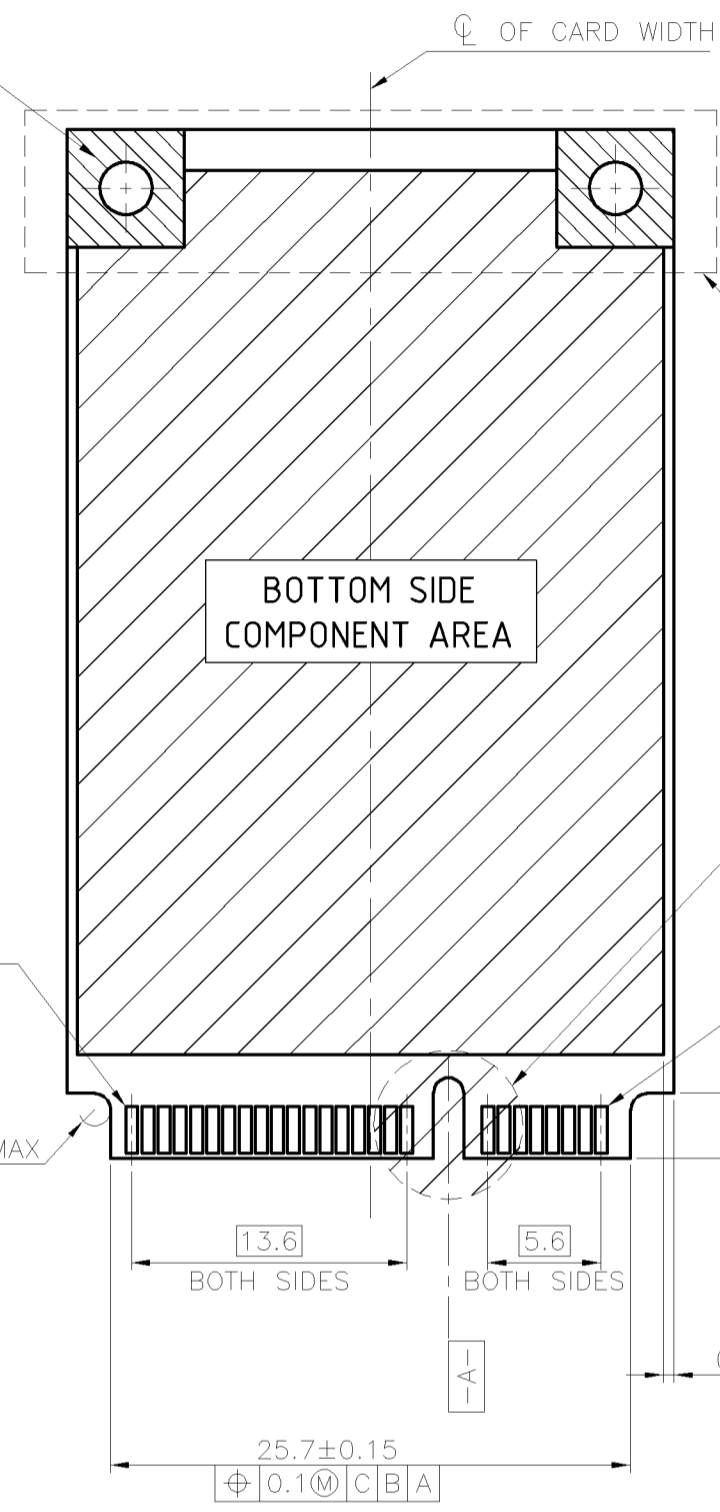
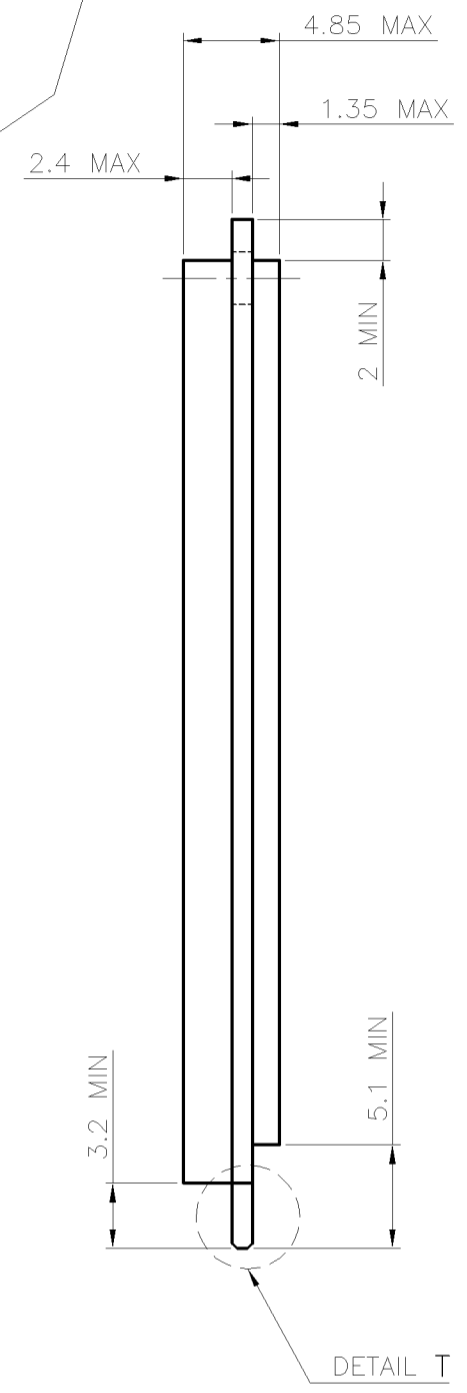
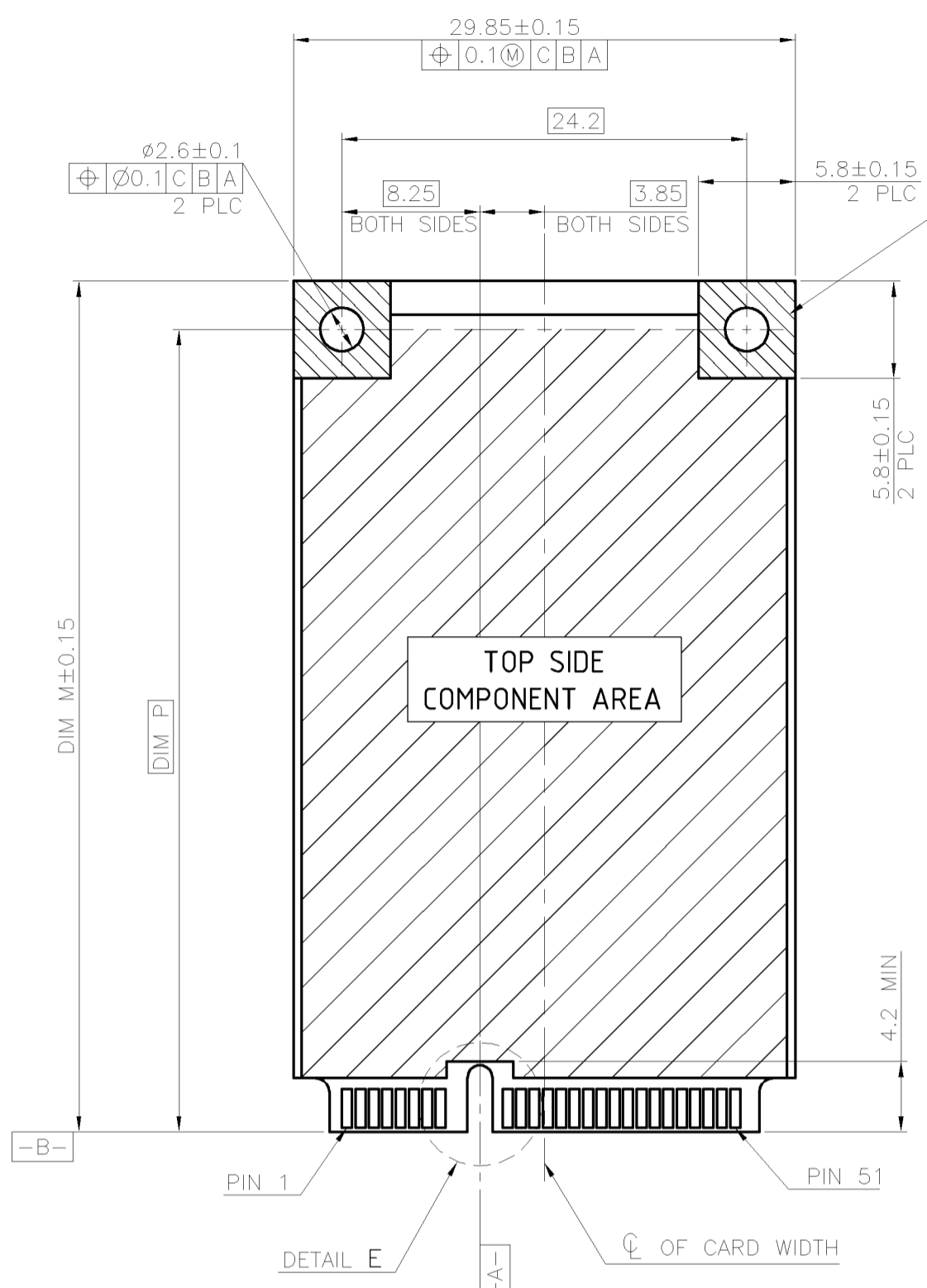
- NOTES:
- △ CARD THICKNESS APPLIES ACROSS TABS AND INCLUDES PLATING AND/OR METALLIZATION.
 - △ EDGE BEVEL MUST BE PRESENT AND FREE OF CUTTING BURRS FROM PCB AND CONTACT MATERIALS.

FOR PCI EXPRESS MINI CARD

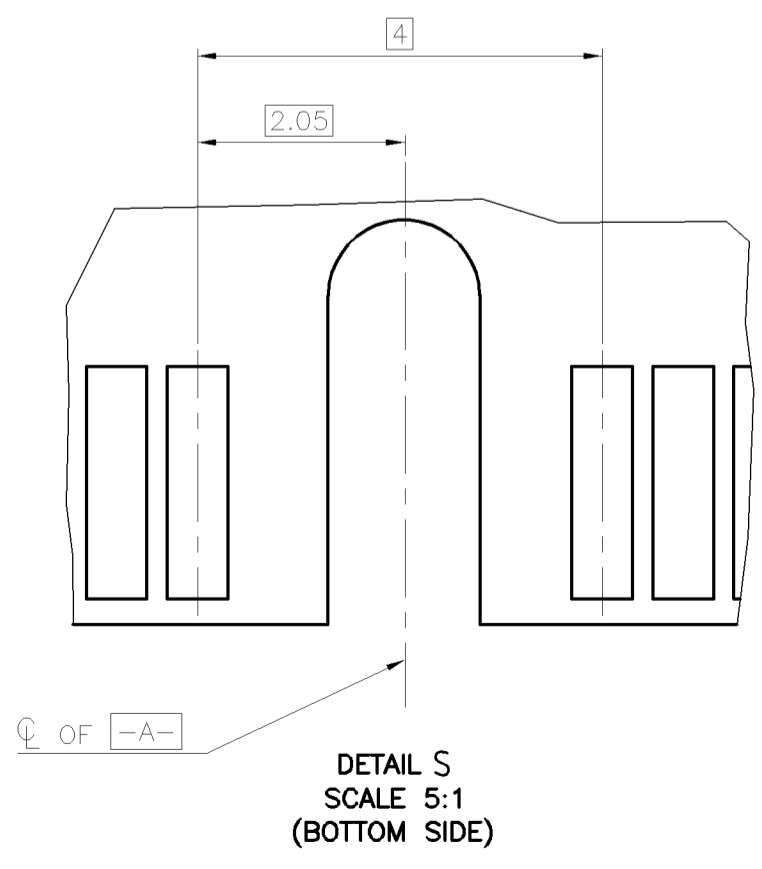
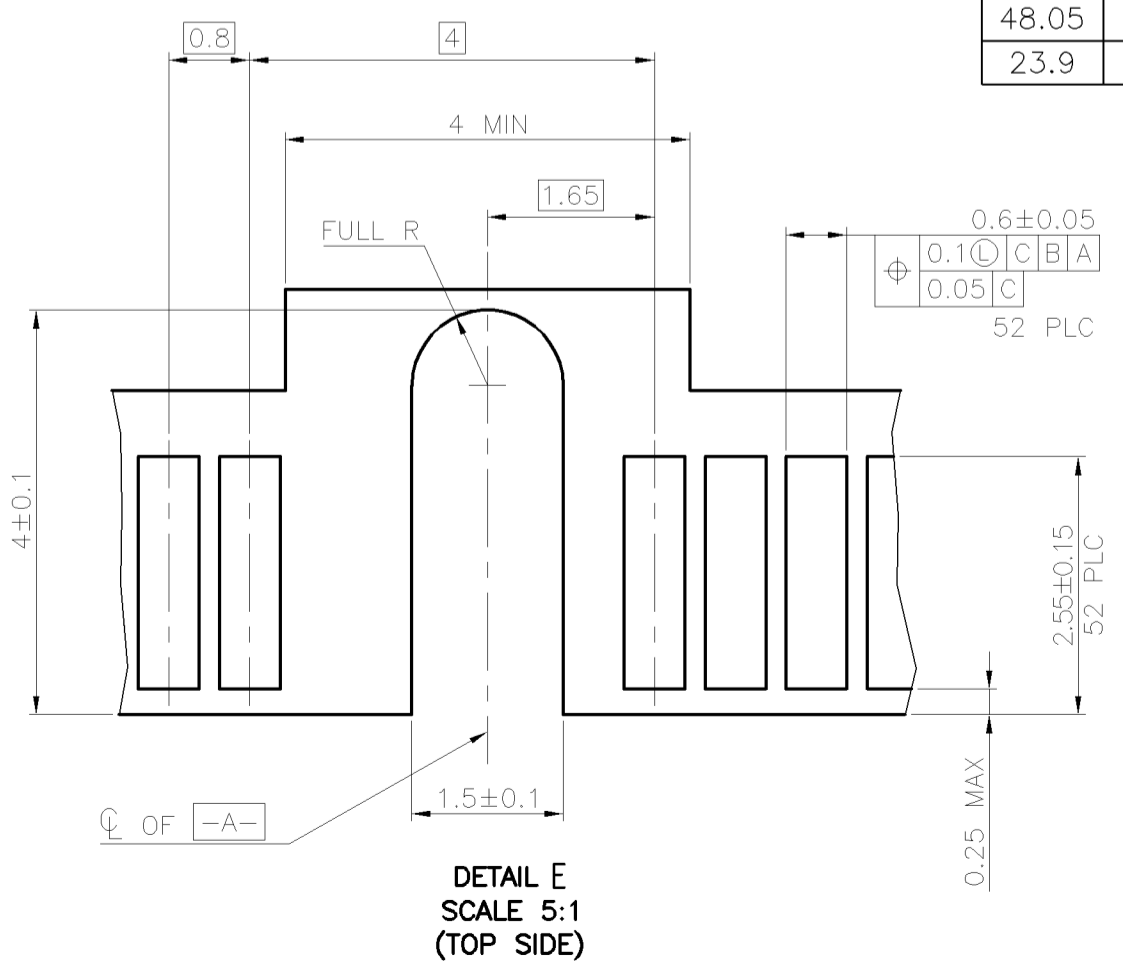
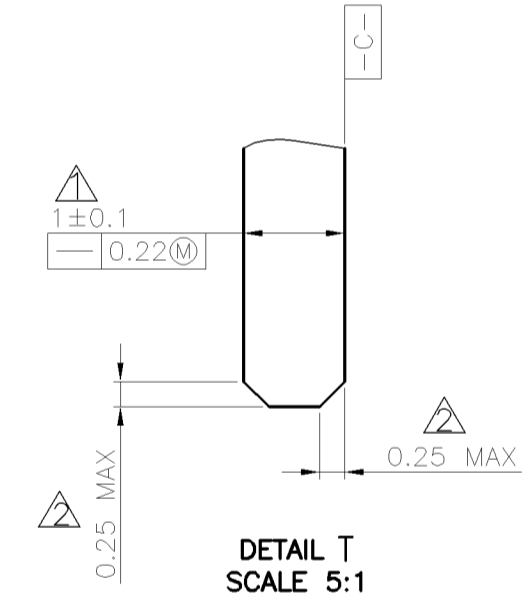
THIS DRAWING IS A CONTROLLED DOCUMENT.		DWN	10MAY2010	TE TE Connectivity
		A. WU		
		CHK	10MAY2010	
		S. CHIEN		
		APVD	10MAY2010	NAME
		W. KODAMA		2 IN 1 mSATA & PCI EXPRESS MINI CARD CONNECTOR, 6.8 MM HEIGHT
		PRODUCT SPEC		SIZE
		APPLICATION SPEC		CAGE CODE
		MATERIAL		DRAWING NO
		FINISH		RESTRICTED TO
		WEIGHT		A2 00779 C=2041262
		CUSTOMER DRAWING		SCALE
				SHEET
				3 OF 5
				REV
				C

LOC	DIST	REVISIONS			
P	LTR	DESCRIPTION	DATE	DWN	APVD
DW	-	SEE SHEET 1			

COMPONENT AND ROUTING (ALL LAYERS)
 KEEP OUT AREA FOR HOLD DOWN SOLUTIONS



DIM P	DIM M	
48.05	50.8	FULL CARD
23.9	26.8	HALF CARD



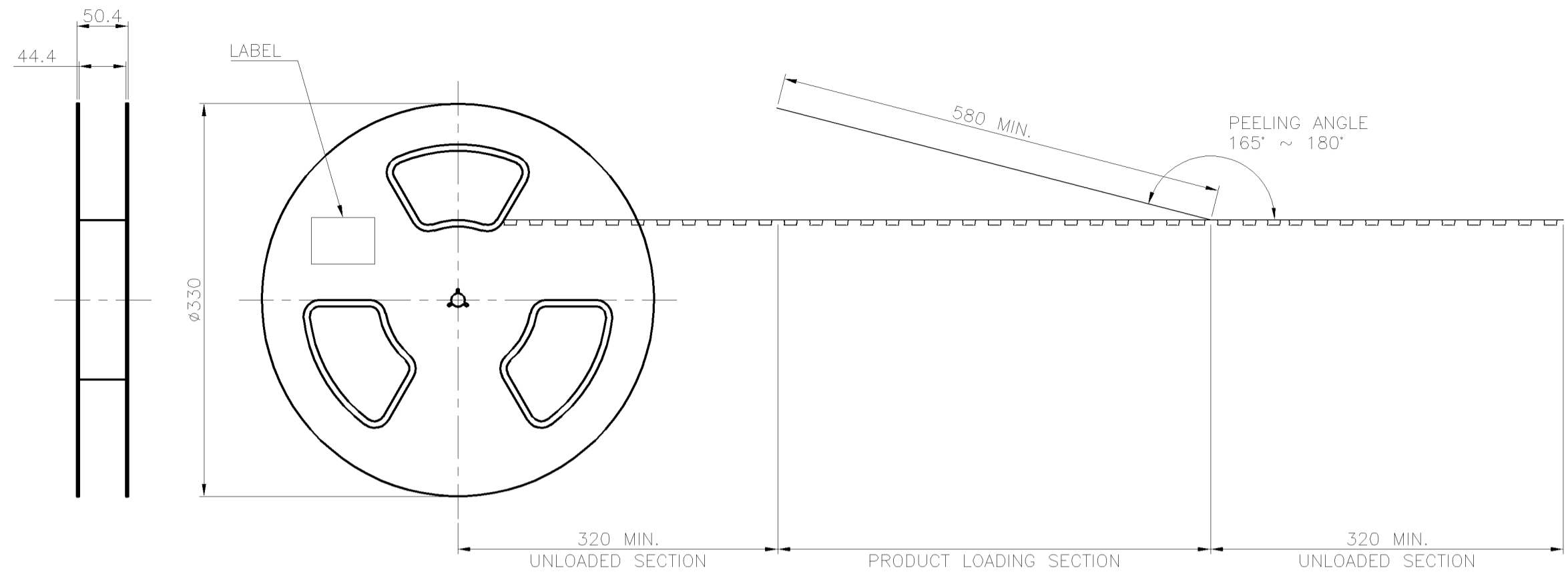
FOR mSATA

- NOTES:
- CARD THICKNESS APPLIES ACROSS TABS AND INCLUDES PLATING AND/OR METALLIZATION.
 - EDGE BEVEL MUST BE PRESENT AND FREE OF CUTTING BURRS FROM PCB AND CONTACT MATERIALS.
 - COMPONENT AND ROUTING (TOP/BOTTOM LAYER) KEEP OUT AREA FOR HOLD DOWN SOLUTIONS.

THIS DRAWING IS A CONTROLLED DOCUMENT.		DWN A. WU 29MAR2011	TE Connectivity	
DIMENSIONS: MM		CHK S. CHIEN 29MAR2011	2 IN 1 mSATA & PCI EXPRESS MINI CARD CONNECTOR, 6.8 MM HEIGHT	
TOLERANCES UNLESS OTHERWISE SPECIFIED:		APVD W. KODAMA 29MAR2011	NAME	RESTRICTED TO
0 PLC ±	1 PLC ±	PRODUCT SPEC	SIZE	
2 PLC ±	3 PLC ±	APPLICATION SPEC	CAGE CODE	
4 PLC ±	ANGLES ±	WEIGHT	DRAWING NO	
MATERIAL	FINISH	CUSTOMER DRAWING	A2 00779	C=2041262
			SCALE	SHEET 4 OF 5

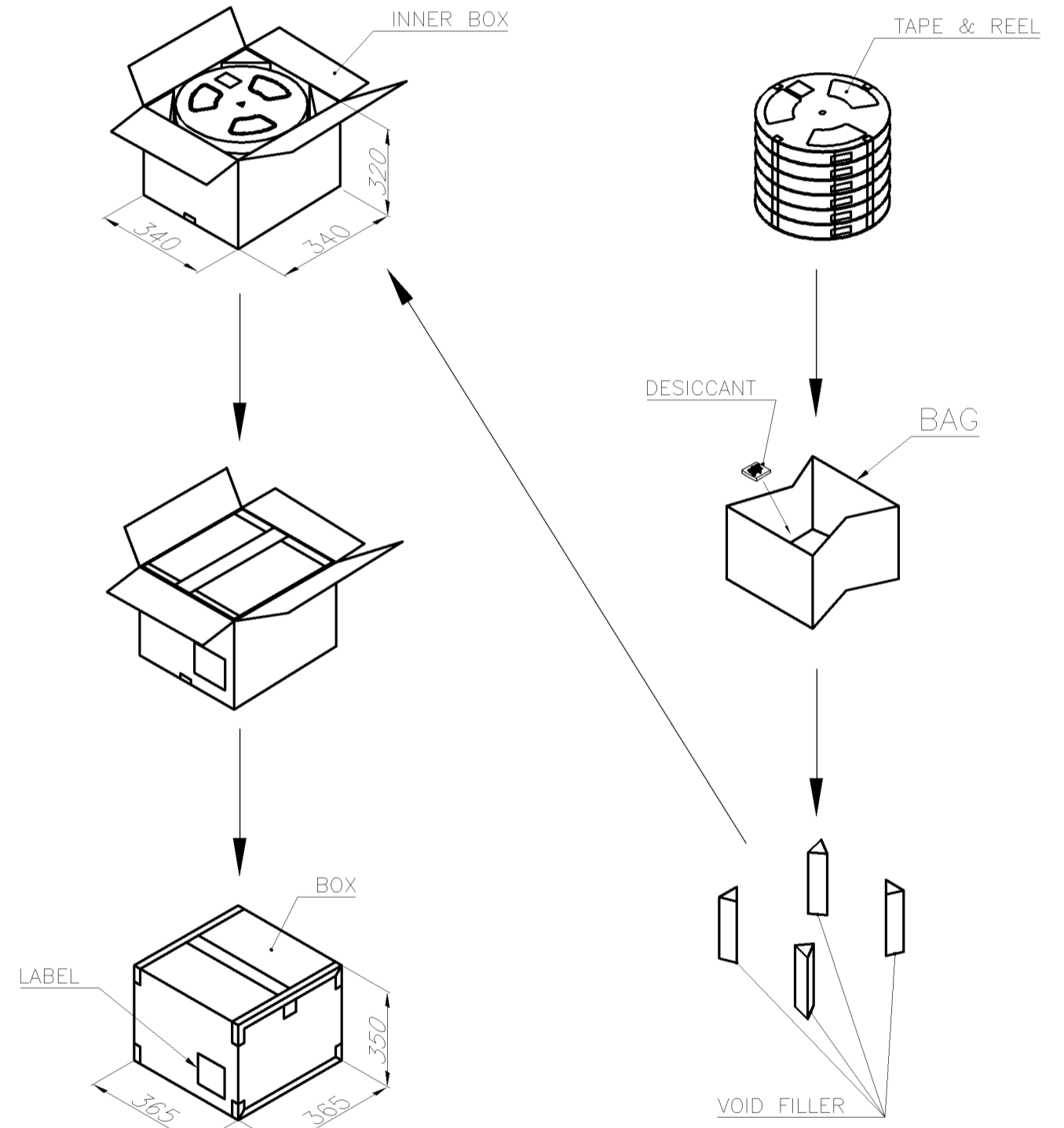
THIS DRAWING IS UNPUBLISHED. RELEASED FOR PUBLICATION
 © COPYRIGHT 2011 BY TE CONNECTIVITY. ALL RIGHTS RESERVED.

LOC	DIST	REVISIONS			
P	LTR	DESCRIPTION	DATE	DWN	APVD
DW	-	SEE SHEET 1			

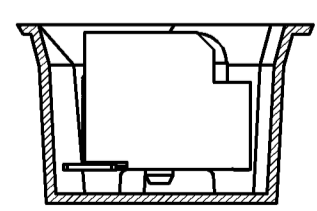
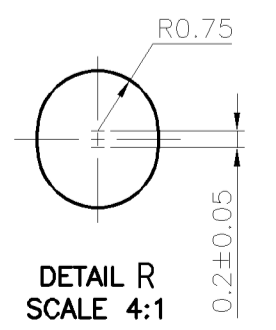
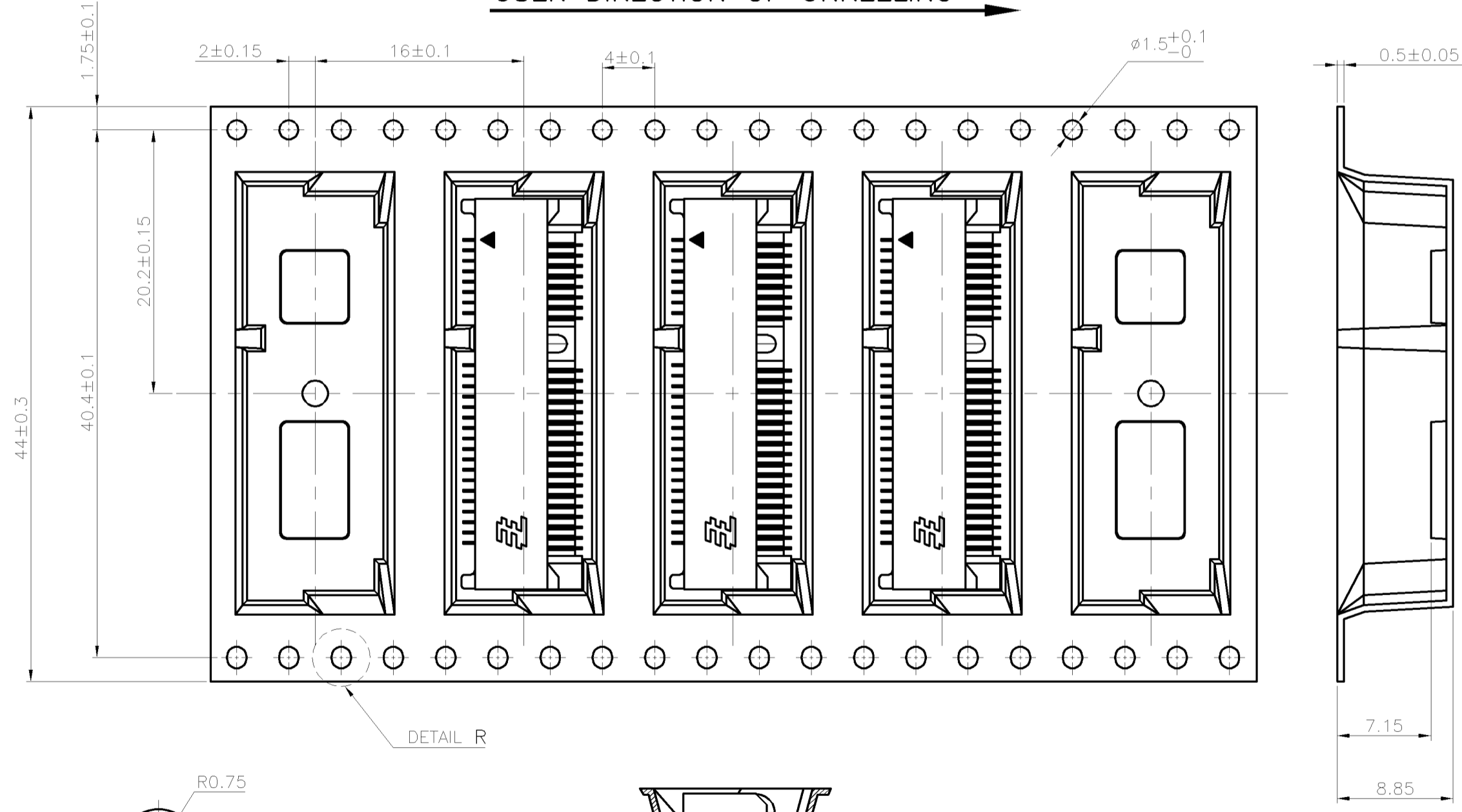


NOTES:

- MATERIAL:
 BOX: FIBREBOARD, CORRUGATED, DOUBLE WALL.
 COVER TAPE: POLYSTYRENES, 120°C HEAT-RESISTANT TEMPERATURE, TRANSPARENT COLOR.
 CARRIER TAPE: POLYSTYRENES, 120°C HEAT-RESISTANT TEMPERATURE, TRANSPARENT COLOR.
 REEL: HIPS, 70°C HEAT-RESISTANT TEMPERATURE, BLUE COLOR.
 BAG: POLYETHYLENES, 100°C HEAT-RESISTANT TEMPERATURE, TRANSPARENT COLOR.
- EACH BAG SHALL BE INCLUDED DESICCANT.
- PEELING STRENGTH: 0.1 ~ 1.3 N (10 ~ 130 GRAMS).
- PEELING SPEED: 300 mm/min.



USER DIRECTION OF UNREELING →



10.47 Kg	5.75 Kg	450	6	2700
GROSS WEIGHT	NET WEIGHT	PCS/TAPE	REELS /BOX	PCS/BOX

THIS DRAWING IS A CONTROLLED DOCUMENT.		DWN	A. WU	10MAY2010	 TE Connectivity
DIMENSIONS: MM		CHK	S. CHIEN	10MAY2010	
TOLERANCES UNLESS OTHERWISE SPECIFIED:		APVD	W. KODAMA	10MAY2010	
0 PLC ± -		PRODUCT SPEC			
1 PLC ± -		APPLICATION SPEC			NAME
2 PLC ± -		WEIGHT	-		2 IN 1 mSATA & PCI EXPRESS MINI CARD CONNECTOR, 6.8 MM HEIGHT
3 PLC ± -		CUSTOMER DRAWING			SIZE
4 PLC ± -					A2
ANGLES ± -					CAGE CODE
FINISH ± -					00779
					DRAWING NO
					C=2041262
					RESTRICTED TO
					-
					SCALE
					-
					SHEET
					5 of 5
					REV
					C