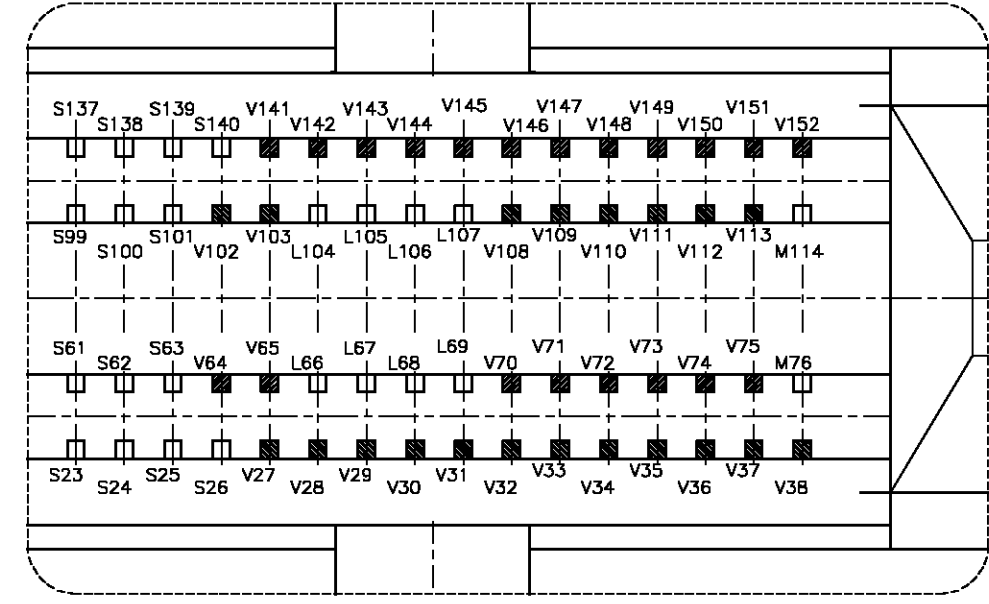
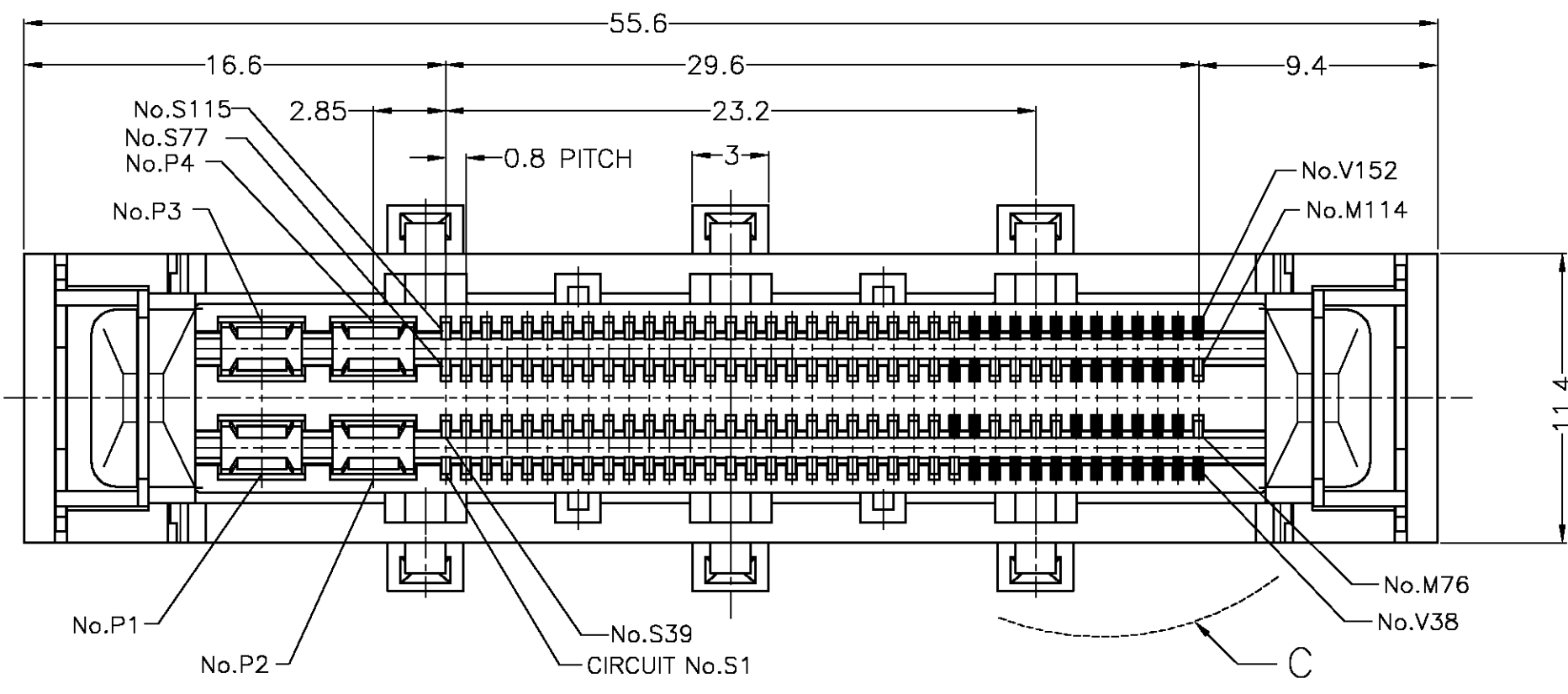
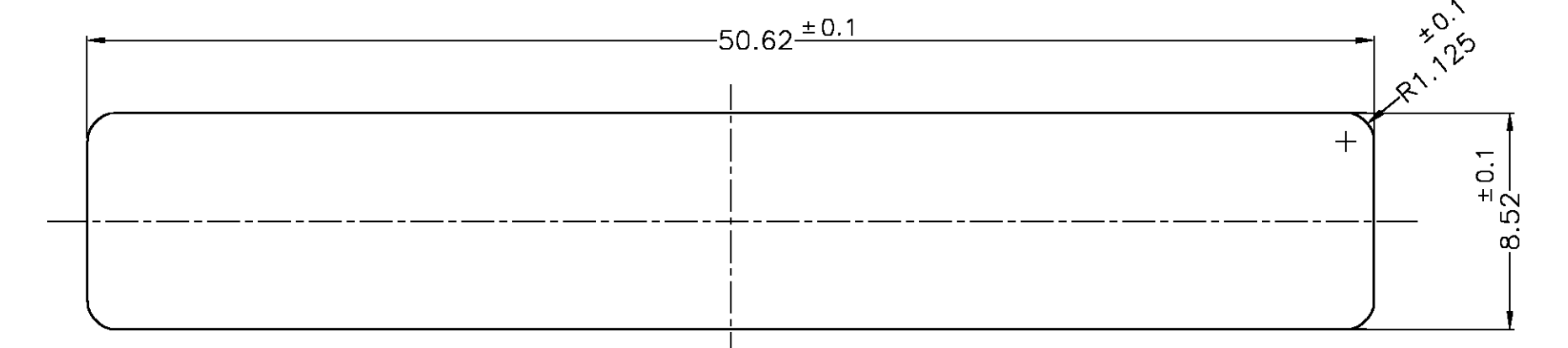
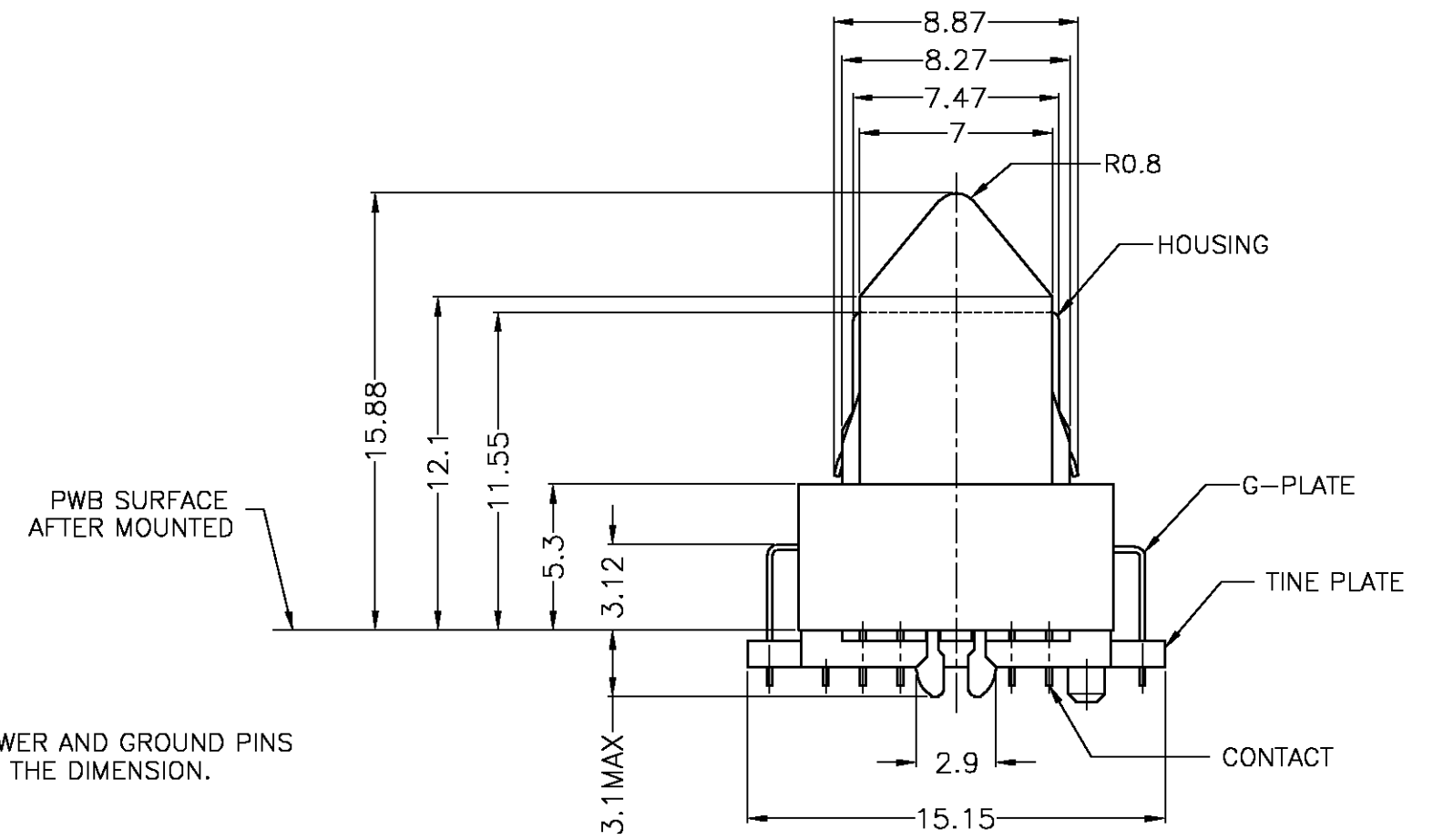
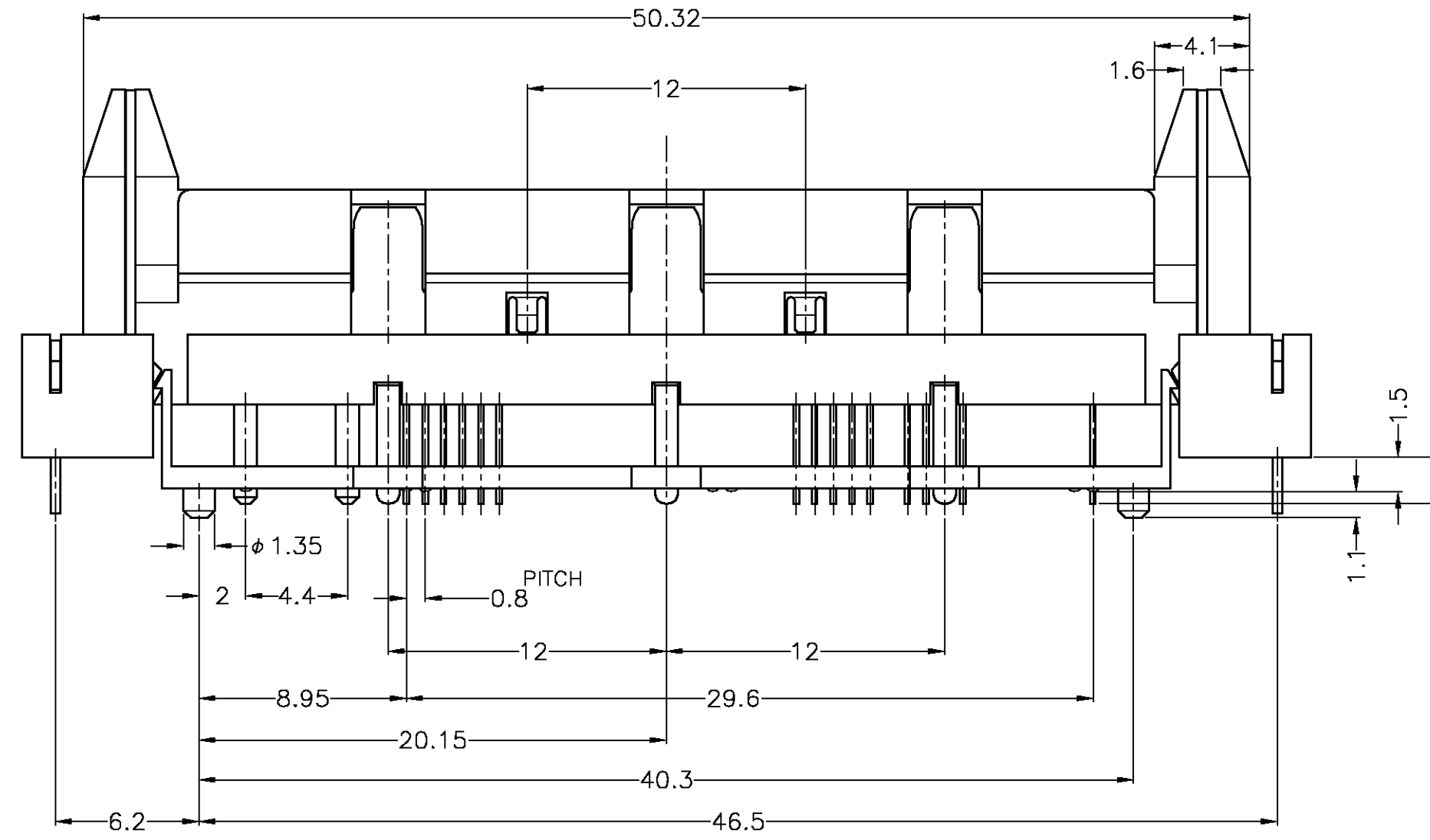


THIS DRAWING IS UNPUBLISHED. RELEASED FOR PUBLICATION 2001.
 © COPYRIGHT 2001 BY TYCO ELECTRONICS CORPORATION. ALL RIGHTS RESERVED.

LOC	DIST	REVISIONS				
		P	LTR	DATE	DWN	APVD
J		0	RELEASED(FJBO-1267-04)	11NOV04	M.K	Y.Y



DETAIL C (SCALE 8-1)
 (THIS FIG. SHOWS VOID CONT. POSITION,
 AND NOT COMPLETELY RIGHT FIGURE.)



PANEL OPENING DIM.

鉛フリー
 LEAD FREE

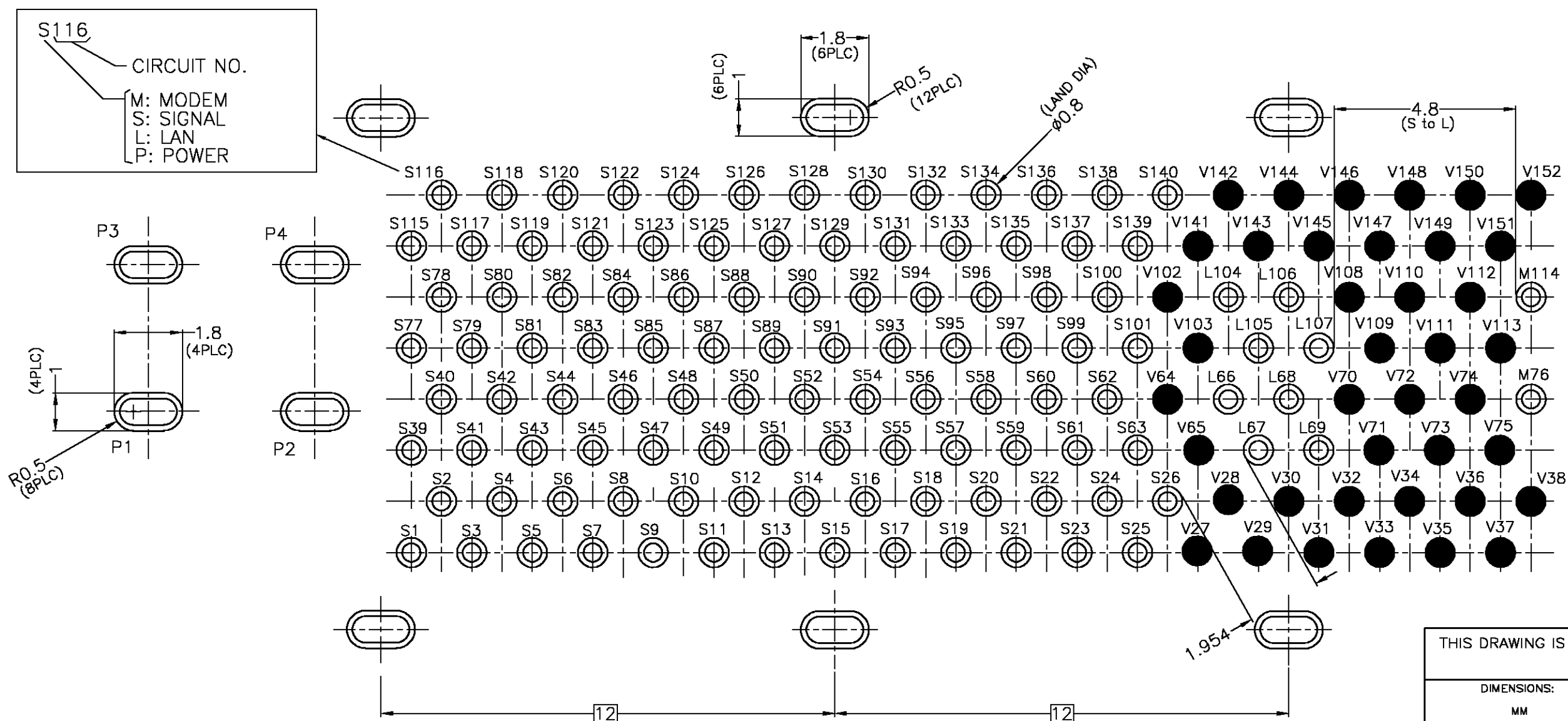
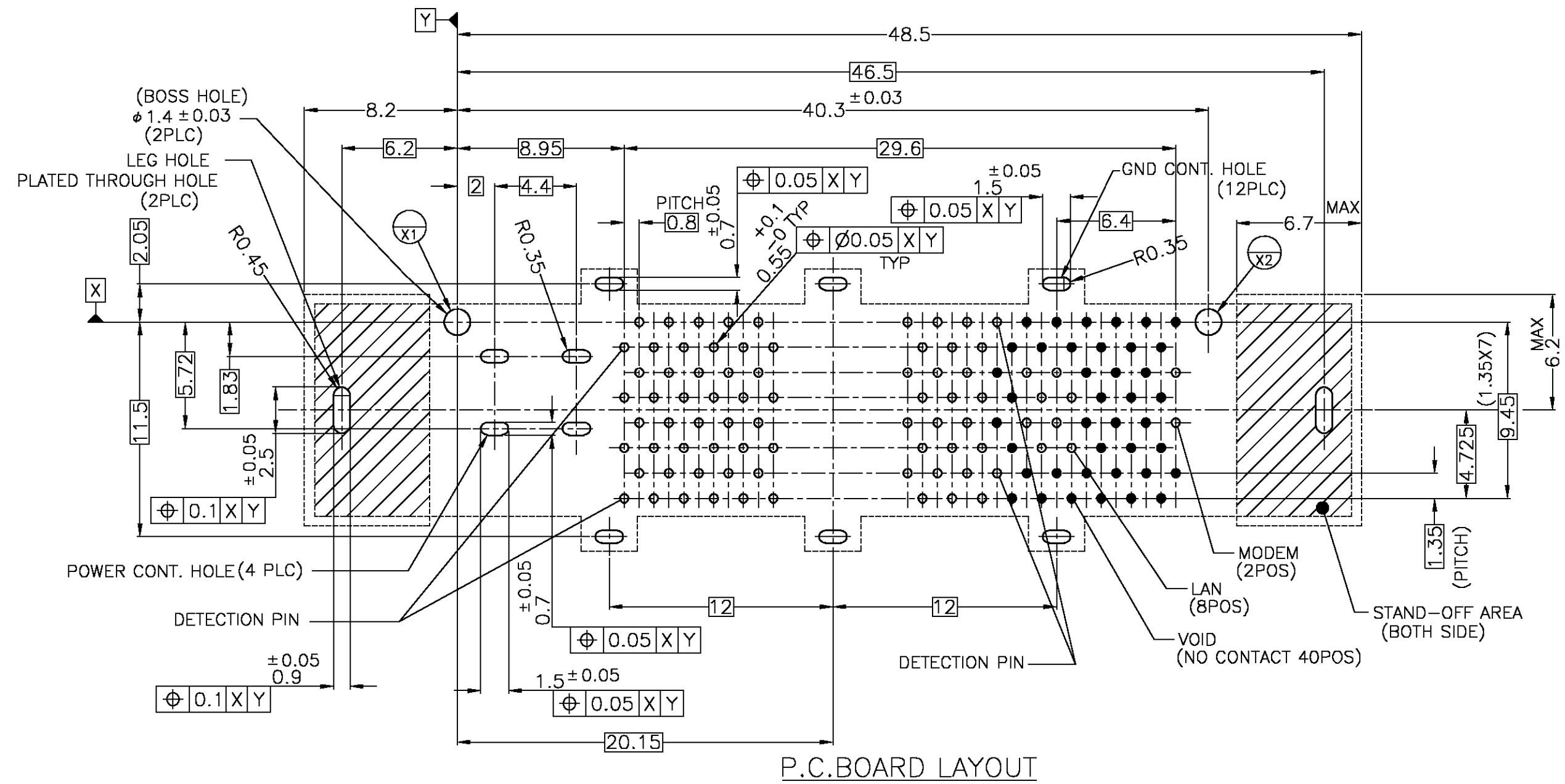
NUMBER OF PINS
 SIGNAL 102P
 MODEM 2P
 LAN 8P
 VOID 40P
 POWER 4P

-1 ; AS SHOWN

THIS DRAWING IS A CONTROLLED DOCUMENT.		DWN M.KATO 11NOV04	tyco Tyco Electronics AMP K.K.	
		CHK S.KAJINUMA 11NOV04	Kawasaki, Japan	
		APVD Y.YAMAMOTO 11NOV04	NAME	
DIMENSIONS: MM		PRODUCT SPEC		0.8 DOCKING CONNECTOR
		APPLICATION SPEC		REC (152P + POWER 4P)
TOLERANCES UNLESS OTHERWISE SPECIFIED:		SIZE		CAGE CODE
Ø PLG ± 10 ≥ ± 0.2		A2		00779
1 PLG ± 30 ≥ ± 10 ± 0.25		DRAWING NO		C=6565136
2 PLG ± 100 ≥ ± 30 ± 0.3		RESTRICTED TO		-
3 PLG ± ± ± 3°		SCALE		2:1
4 PLG ± ± ± 3°		SHEET		1 OF 3
MATERIAL		WEIGHT		REV
FINISH		7.4g		0
		CUSTOMER DRAWING		

THIS DRAWING IS UNPUBLISHED. RELEASED FOR PUBLICATION 2001.
 © COPYRIGHT 2001 BY TYCO ELECTRONICS CORPORATION. ALL RIGHTS RESERVED.

LOC		DIST		REVISIONS			
J				REV	DATE	DWN	APVD
				DESCRIPTION			
				SEE SHEET 1			

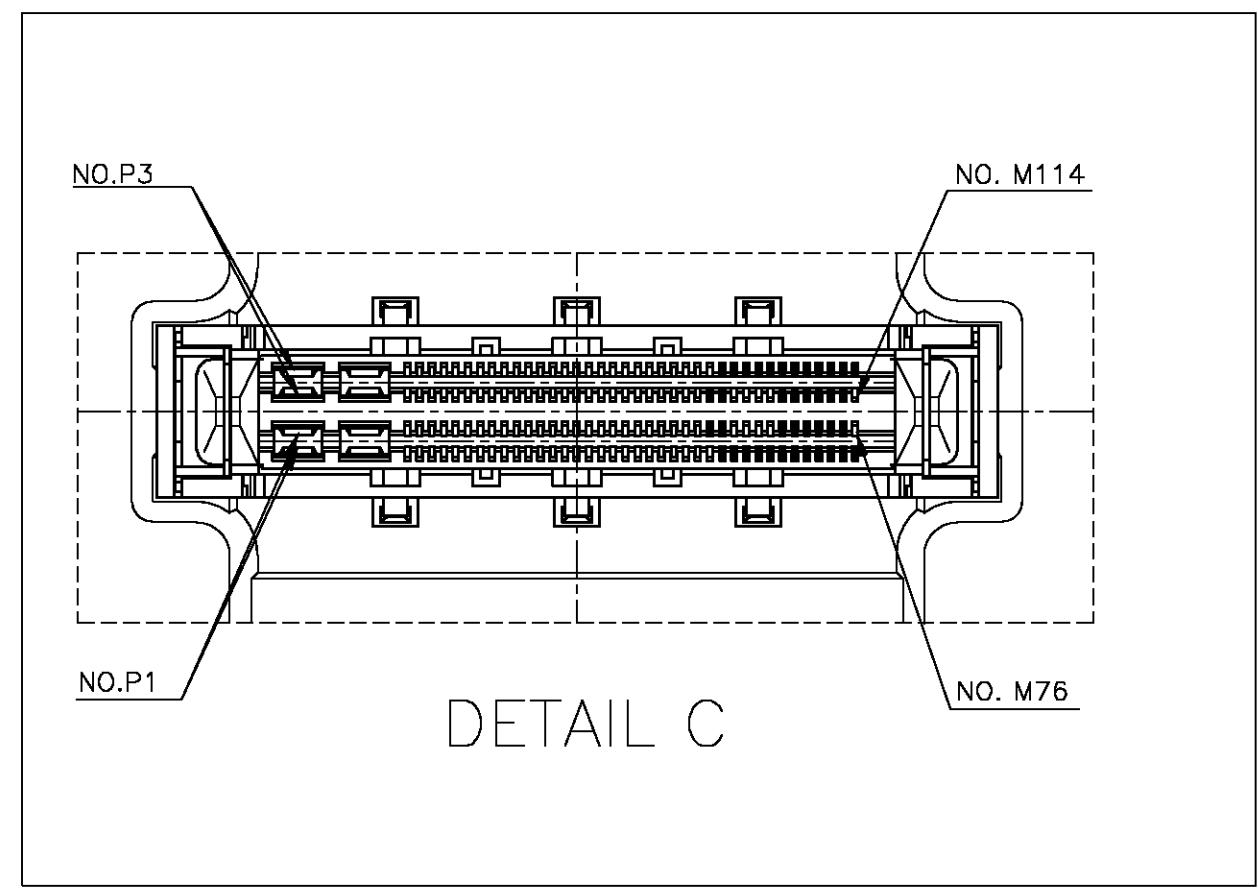
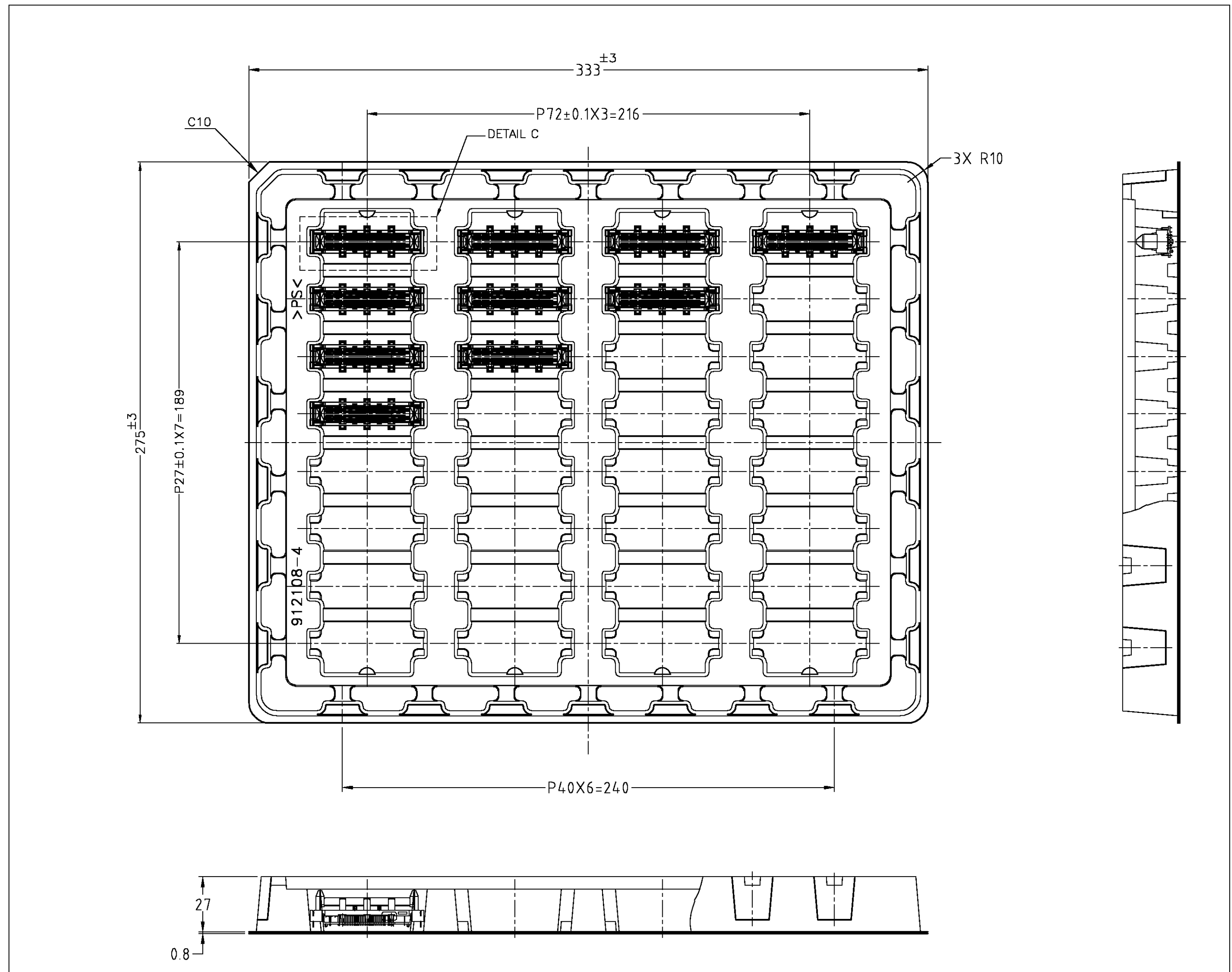


鉛フリー
LEAD FREE

THIS DRAWING IS A CONTROLLED DOCUMENT.		DWN	Tyco Electronics AMP K.K. Kawasaki, Japan	
DIMENSIONS: MM		CHK	NAME	
TOLERANCES UNLESS OTHERWISE SPECIFIED		APVD	0.8 DOCKING CONNECTOR REC (152P + POWER 4P)	
0 PLC ±		PRODUCT SPEC	SIZE	CAGE CODE
1 PLC ±		APPLICATION SPEC	A2	00779
2 PLC ±		WEIGHT	DRAWING NO	RESTRICTED TO
3 PLC ±		CUSTOMER DRAWING	C=6565136	-
4 PLC ±		SCALE	4:1	SHEET
ANGLES ± 3°		REV	2	3
FINISH		REV	0	

THIS DRAWING IS UNPUBLISHED. RELEASED FOR PUBLICATION 2001.
 © COPYRIGHT 2001 BY TYCO ELECTRONICS CORPORATION. ALL RIGHTS RESERVED.

LOC	DIST	REVISIONS					
		P	LTR	DATE	DWN	APVD	
J		-		SEE SHEET 1	-	-	-



鉛フリー
LEAD FREE

- 1:AS SHOWN

40/TRAY	SEMI HARD TRAY	6565136-1
QUANTITY PER PACKAGE	PACKING	PART NO.

THIS DRAWING IS A CONTROLLED DOCUMENT.		DWN	Tyco Electronics AMP K.K. Kawasaki, Japan			
DIMENSIONS: MM		CHK				
TOLERANCES UNLESS OTHERWISE SPECIFIED: 0 PLC ± 1 PLC ± 2 PLC ± 3 PLC ± 4 PLC ± ANGLES ± ±3° FINISH		APVD	NAME			
MATERIAL		PRODUCT SPEC	0.8 DOCKING CONNECTOR REC (152P + POWER 4P)			
		APPLICATION SPEC	SIZE	CAGE CODE	DRAWING NO	RESTRICTED TO
		WEIGHT	A2	00779	C=6565136	-
		CUSTOMER DRAWING	SCALE	NTS	SHEET	3 OF 3
					REV	0

6565136