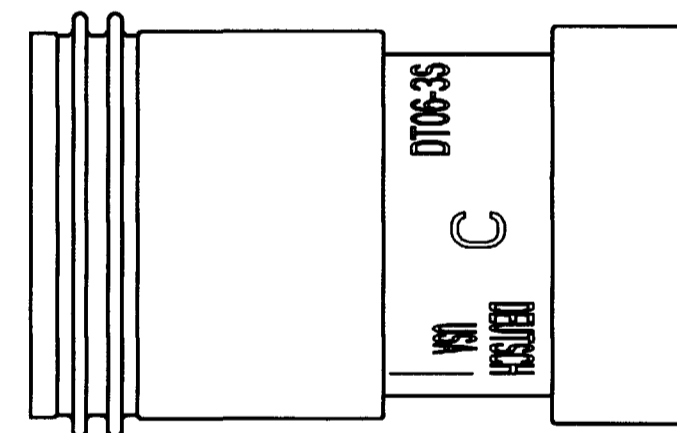
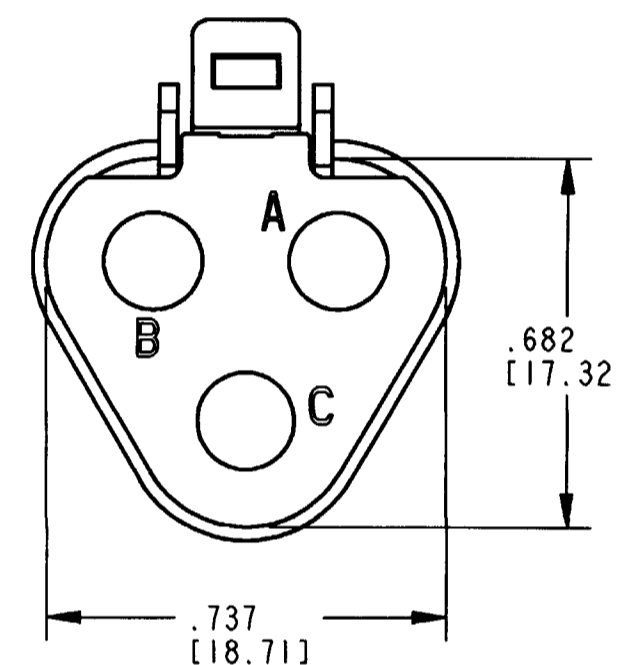
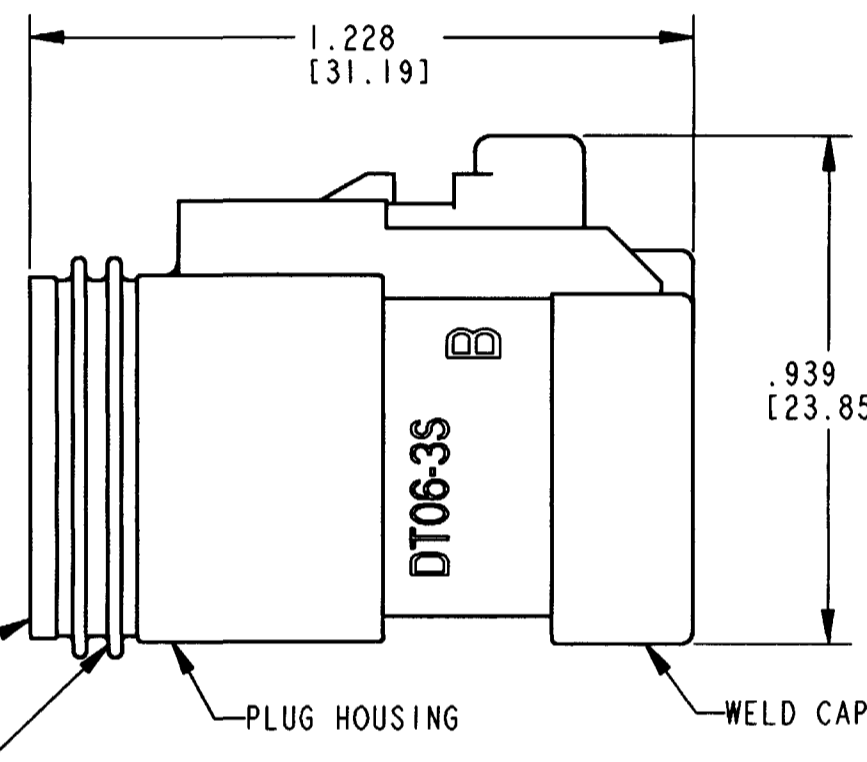
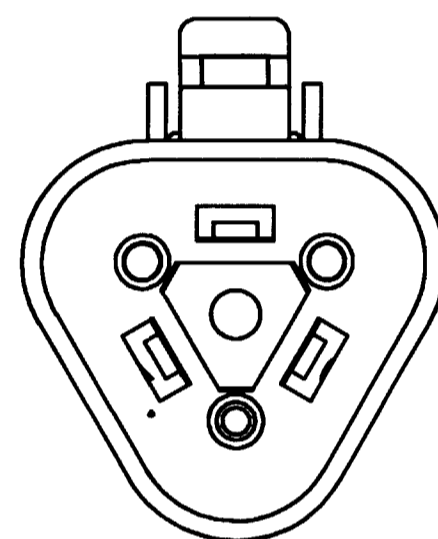


3D VIEW



REV	DT06-3S-EP10	REVISIONS			
NC		SYM	DESCRIPTION	DATE	APPROVED
		NC	NEW RELEASE PER E.O. P17961	12-3-02	ROK

- 6. RESISTOR CHARACTERISTICS: 120 OHMS ±10 PERCENT, .4 WATTS MINIMUM.
 - 5. THIS CONNECTOR CAN PASS THROUGH A ONE INCH HOLE.
 - 4. THIS PLUG MATES WITH THE DT04-3P-**** RECEPTACLE. (**** = J1939 MODIFICATIONS.) CONSULT FACTORY FOR MODIFICATIONS.
 - 3. FOR CONTACTS AND WIRE PERFORMANCE AND APPLICATION CHARACTERISTICS SEE ENVELOPE DRAWING 0425-015-0000 AND 0425-017-0000.
 - 2. DIMENSIONS ARE ±.025[0.63] UNLESS OTHERWISE SPECIFIED.
 - 1. DIMENSION ARE IN INCHES [MILLIMETERS].
- NOTES:

SIGNATURE & DATE		3 WAY PLUG D.T. SERIES (TERMINATING PLUG) -EP10 MOD COLOR: BLACK ENVELOPE	CP	MATL CODE
DR	X. SANCHEZ 11NOV02		The Deutsch Company DEUTSCH I.P.D. 3850 INDUSTRIAL AVE. HEMET, CALIF. 92545	
CHK	<i>A. Robina</i> 11/2/02		B	DT06-3S-EP10
PE	<i>Edg. Johnson</i> 11/2/02			
APPD	<i>Strand</i> 12-2-02			
SCALE	3:1	WT	CODE 11139	SHEET 1 OF 1