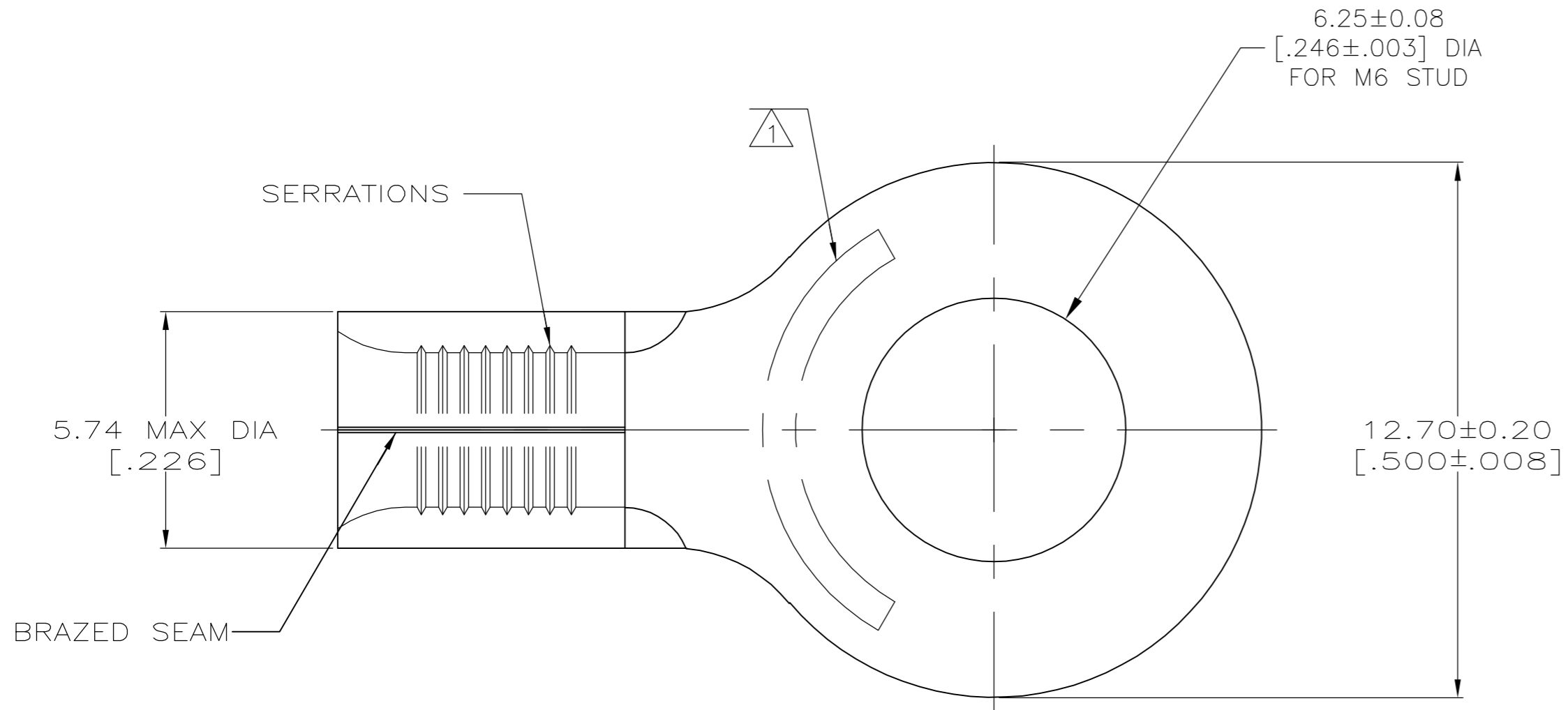


THIS DRAWING IS UNPUBLISHED. RELEASED FOR PUBLICATION  
 © COPYRIGHT BY TYCO ELECTRONICS CORPORATION. ALL RIGHTS RESERVED.

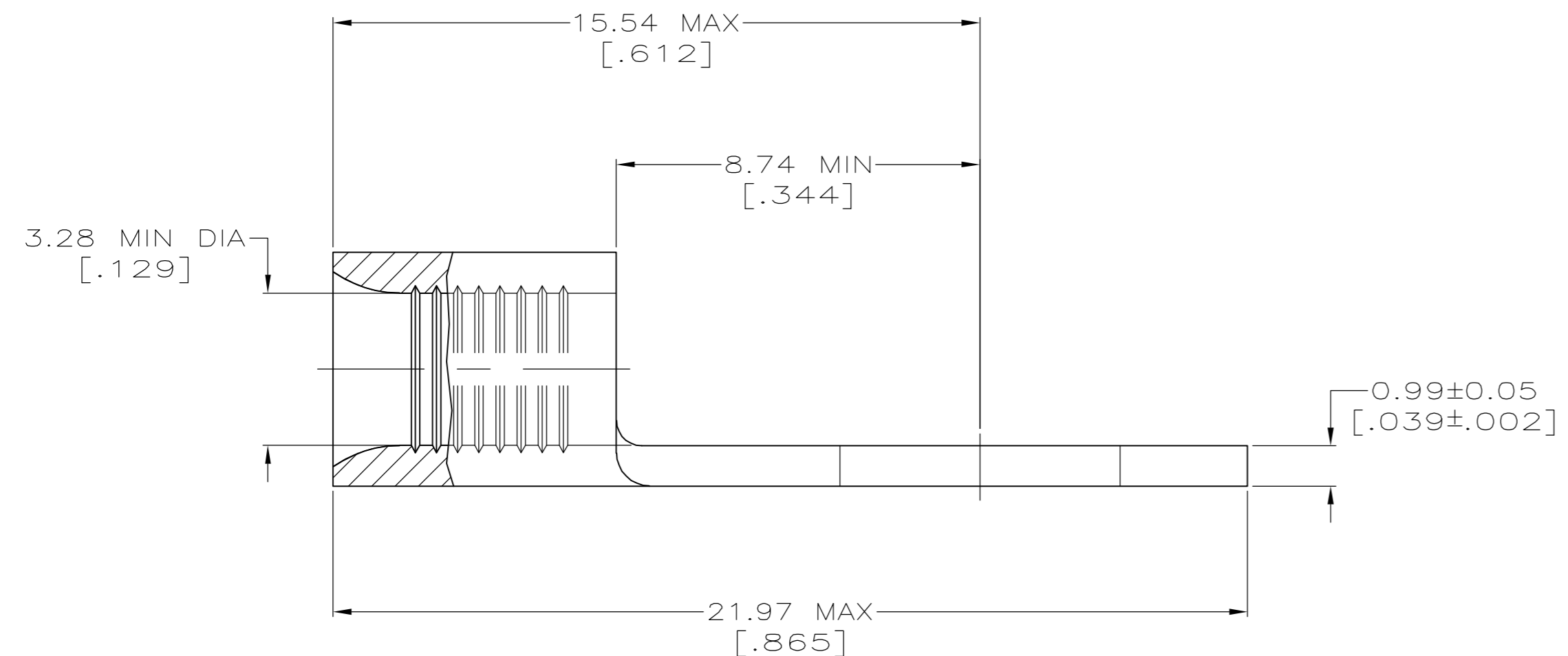
LOC	DIST	REVISIONS					
G	14	P	LTR	DESCRIPTION	DATE	DWN	APVD
		A		DRAWN	13MAR06	JR	TM



**AMP**  
WIRE RANGE

12-10 AWG  
SOLID OR STRANDED

- 1 STAMP AMP 12-10\* APPROX AS SHOWN
- 2 MATERIAL: COPPER PER ASTM B-152, ANNEALED
- 3 TIN PLATE 0.00254 [.000100] MIN THK PER ASTM B-545.



<b>AMP INCORPORATED CUSTOMER SERVICE SYSTEMS</b>		MAX RECOMMENDED OPERATING TEMPERATURE: 170°C
FOR ADDITIONAL PRODUCT INFORMATION OR COPIES OF DRAWINGS AND TECHNICAL DOCUMENTS	PRODUCT INFORMATION CENTER 1-800-522-6752	VOLTAGE RATING: N/A
FOR APPLICATION TOOLING INFORMATION	TOOLING ASSISTANCE CENTER 1-800-722-1111	CIRCULAR MIL AREA: 2.62-6.64mm² [5,180-13,100] SOLID OR STRANDED
FOR ORDER ENTRY	1-800-526-5142	THIS DRAWING IS A CONTROLLED DOCUMENT FOR AMP INCORPORATED. IT IS SUBJECT TO CHANGE AND THE CONTROLLING ENGINEERING ORGANIZATION SHOULD BE CONTACTED FOR THE LATEST REVISION.

FINISH	500	LOOSE PIECE	165026												
FINISH	QTY	PACKAGE TYPE	PART NO.												
THIS DRAWING IS A CONTROLLED DOCUMENT.		<table border="1"> <tr> <td>DWN</td> <td>JR RUTH</td> <td>13MAR06</td> </tr> <tr> <td>CHK</td> <td>T MICHIELUTTI</td> <td>13MAR06</td> </tr> <tr> <td>APVD</td> <td>T MICHIELUTTI</td> <td>13MAR06</td> </tr> </table>		DWN	JR RUTH	13MAR06	CHK	T MICHIELUTTI	13MAR06	APVD	T MICHIELUTTI	13MAR06			
DWN	JR RUTH	13MAR06													
CHK	T MICHIELUTTI	13MAR06													
APVD	T MICHIELUTTI	13MAR06													
DIMENSIONS: INCHES	TOLERANCES UNLESS OTHERWISE SPECIFIED:	<table border="1"> <tr> <td>0 PLC</td> <td>± -</td> </tr> <tr> <td>1 PLC</td> <td>± -</td> </tr> <tr> <td>2 PLC</td> <td>± -</td> </tr> <tr> <td>3 PLC</td> <td>± -</td> </tr> <tr> <td>4 PLC</td> <td>± -</td> </tr> <tr> <td>ANGLES</td> <td>± -</td> </tr> </table>		0 PLC	± -	1 PLC	± -	2 PLC	± -	3 PLC	± -	4 PLC	± -	ANGLES	± -
0 PLC	± -														
1 PLC	± -														
2 PLC	± -														
3 PLC	± -														
4 PLC	± -														
ANGLES	± -														
MATERIAL	FINISH	<table border="1"> <tr> <td>SIZE</td> <td>CAGE CODE</td> <td>DRAWING NO</td> <td>RESTRICTED TO</td> </tr> <tr> <td>A2</td> <td>00779</td> <td>C=165026</td> <td>-</td> </tr> </table>		SIZE	CAGE CODE	DRAWING NO	RESTRICTED TO	A2	00779	C=165026	-				
SIZE	CAGE CODE	DRAWING NO	RESTRICTED TO												
A2	00779	C=165026	-												
SEE TABLE		<table border="1"> <tr> <td>SCALE</td> <td>SHEET</td> <td>OF</td> <td>REV</td> </tr> <tr> <td>8:1</td> <td>1</td> <td>1</td> <td>A</td> </tr> </table>		SCALE	SHEET	OF	REV	8:1	1	1	A				
SCALE	SHEET	OF	REV												
8:1	1	1	A												
CUSTOMER DRAWING															

165026