

PART  
NAME

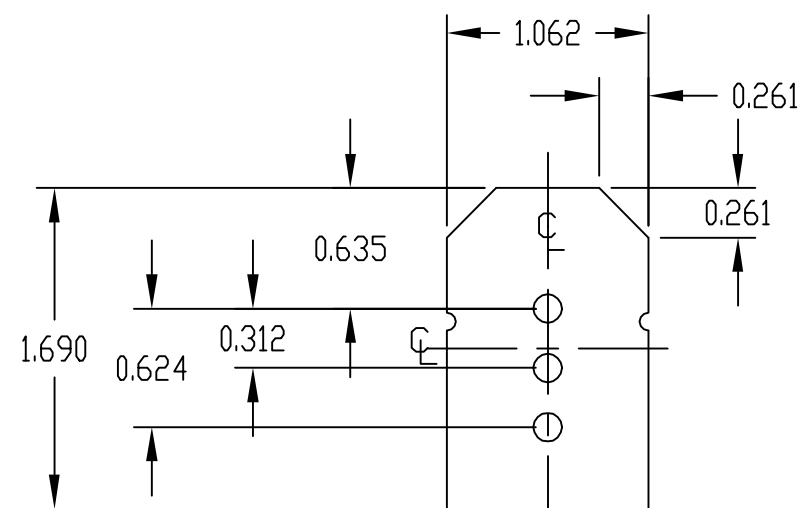
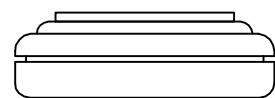
2-BUTTON GRABBER

PART  
No.

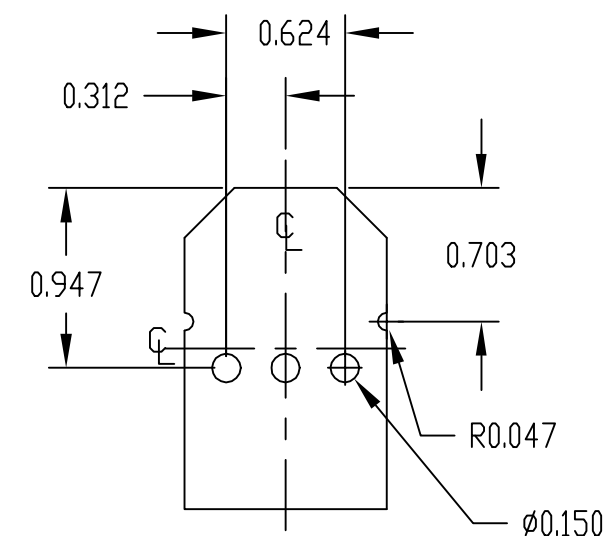
HH-3492

REV.  
DATE

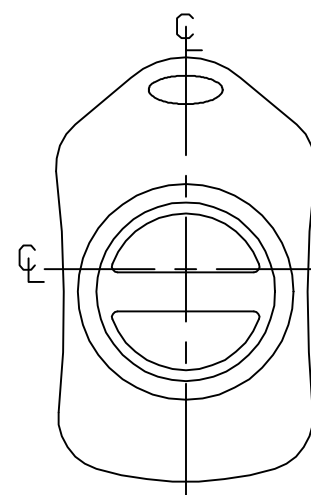
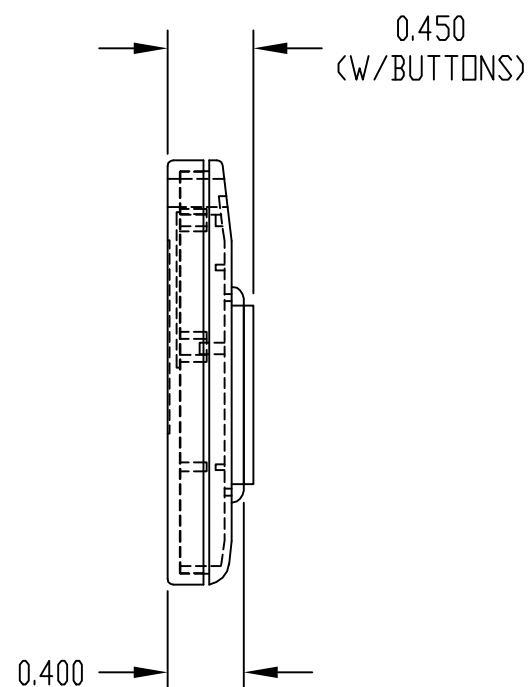
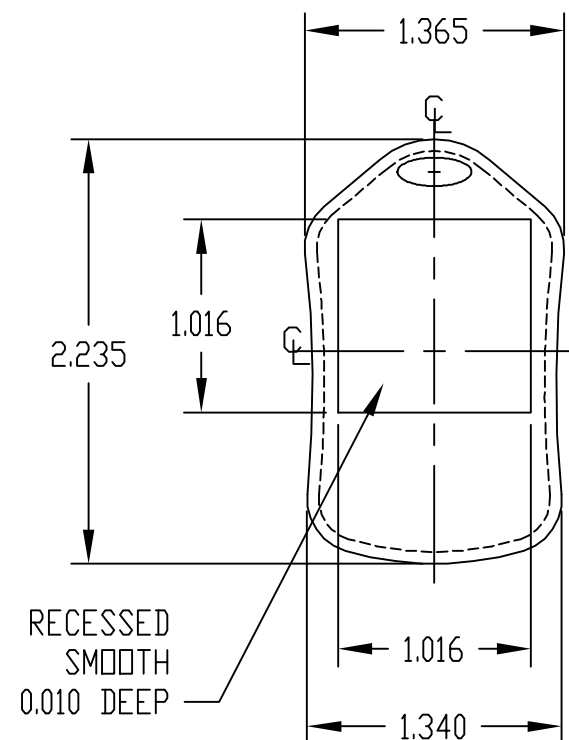
10-29-08



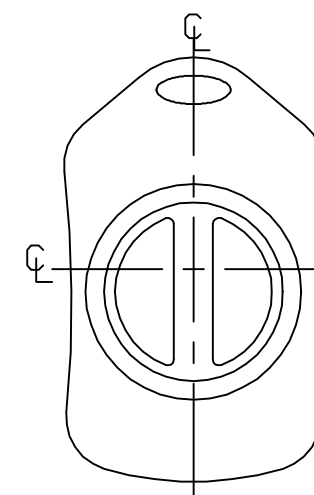
PC BOARD LAYOUT  
OPTION #1



PC BOARD LAYOUT  
OPTION #2



BUTTON POSITION  
OPTION #1



BUTTON POSITION  
OPTION #2

NOTE:

- 1) MATERIAL: BODY & COVER - ABS (UL94-HB)  
BUTTON - ABS & SILICONE RUBBER
- 2) FINISH: BODY & COVER - TEXTURED  
BUTTON - SMOOTH
- 3) COLOR: BODY & COVER - BLACK  
BUTTON - GRAY
- 4) PC BOARD IS NOT INCLUDED. TO BE FURNISHED BY CUSTOMER.
- 5) ALL DIMENSIONS HAVE ±0.010 TOLERANCE UNLESS OTHERWISE SPECIFIED.