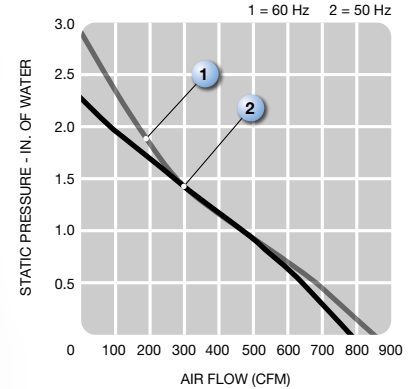
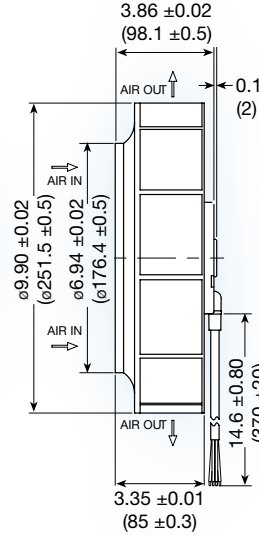
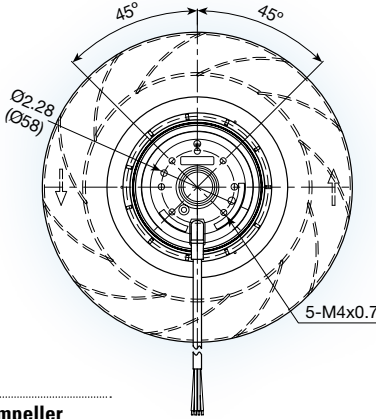


UF250APA series



(251 dia. x 98 mm)
9.90 dia. x 3.86 inches



Features:	backward curved impeller
Operating voltage:	115 or 230 VAC
Operating temp.	-40° ~ 50°C
Construction:	aluminum die cast motor base; UL94V-0 reinforced nylon impeller
Bearing option:	ball bearing
Motor:	permanent split capacitor required capacitor included
Air Flow:	centrifugal
Connection:	AWM 2517 lead wires
Protection:	thermal

Model No.	Rated Voltage V	Freq. HZ	Input Power W	Rated Cur. A	Locked Cur. A	Speed RPM	Air Volume		Max. Static Pressure (H2O)		Sound Noise dba	Weight kg
							M ³ /Min.	CFM	MM	INCH		
UF250APA12-H1C2A	115	50	170	1.50	3.10	2,600	22	770	56	2.2	75	3.1
	115	60	240	2.10	3.00	2,700	24	850	74	2.9	76	3.1
UF250APA12-H1C2A	230	50	170	0.77	1.57	2,600	22	770	56	2.2	75	3.1
	230	60	240	1.00	1.52	2,700	24	850	74	2.9	76	3.1

