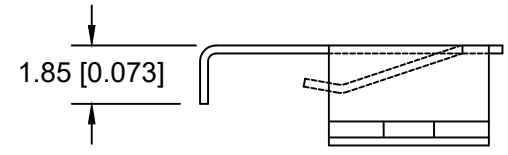
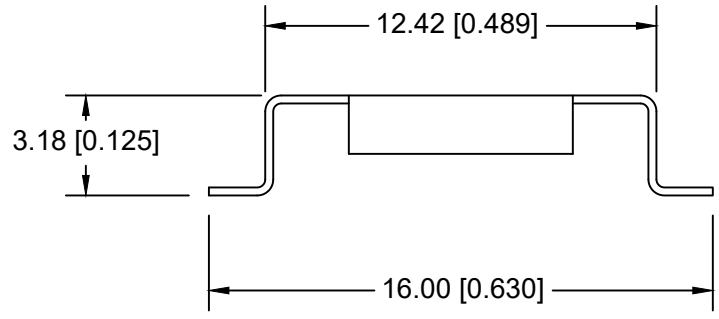
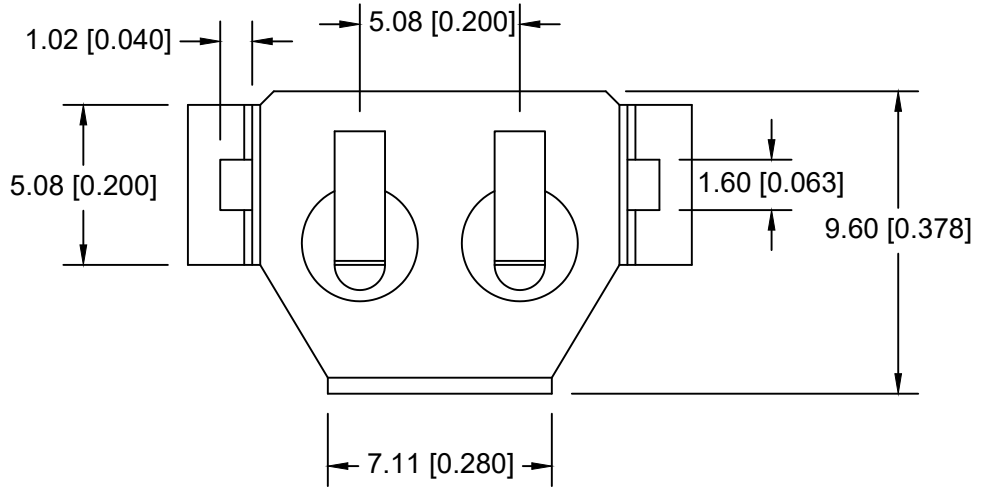



Date	SYM	REVISION RECORD	AUTH	DR.	CK.



NOTES:

1. MATERIAL:  
 PHOSPHOR BRONZE, NICKEL PLATED 80-150 $\mu$  THICKNESS  
 ROHS 2 COMPLIANT

Tolerance (Except as noted)	 <b>Memory Protection Devices, Inc</b> 200 Broad Hollow Road, Farmingdale, New York 11735		
		decimal $\pm .5$ (.020)	Scale Drawn By B.S. Approved By T.B.
Fractional $\pm .8$ (.030)	Title LR1120 BATTERY RETAINER		
Angular $\pm 3^\circ$	Date 03/23/18	Drawing Number BK-1120-SM	