

Tous droits strictement reserves. Reproduction ou communication a des tiers interdite sous quelque forme que ce soit sans autorisation écrite du propriétaire. Propriete de c FCI. Droits de reproduction FCI.



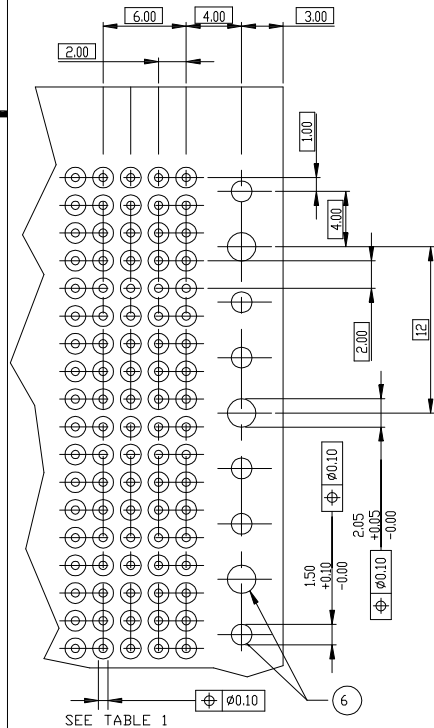
All rights strictly reserved. Reproduction or issue to third parties in any form whatever is not permitted without written authority from the proprietor. Property of FCI. Copyright FCI.

PRODUCT NUMBER	PEG TYPE	TAIL TYPE	TAIL LGTH. DIM "A"	PCB THICKNESS±0.20	LOADING CONFIGURATION	PLATING CONTACT AREA:	
73944-X001 *	PRESS	SOLDER	2.90	1.6	FULLY LOADED	DASH NR:	PERFORMANCE LEVEL
73944-X002 *	PRESS	PRESS-FIT	2.90	1.6		-1YY/1YYLF	TELCORDIA CO
73944-X003 *	PRESS	SOLDER	3.53	2.4		-2YY/2YYLF	CUSTOMER SPECIAL
73944-X004 *	PRESS	PRESS-FIT	3.53	2.4		-3YY/3YYLF	CUSTOMER SPECIAL

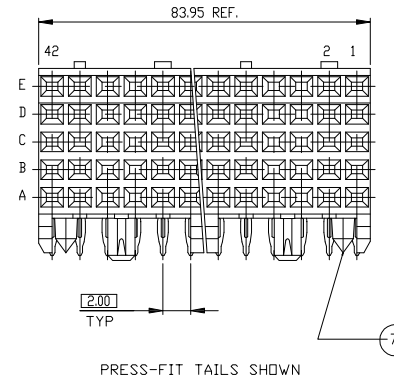
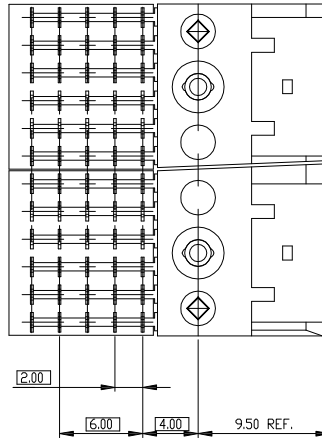
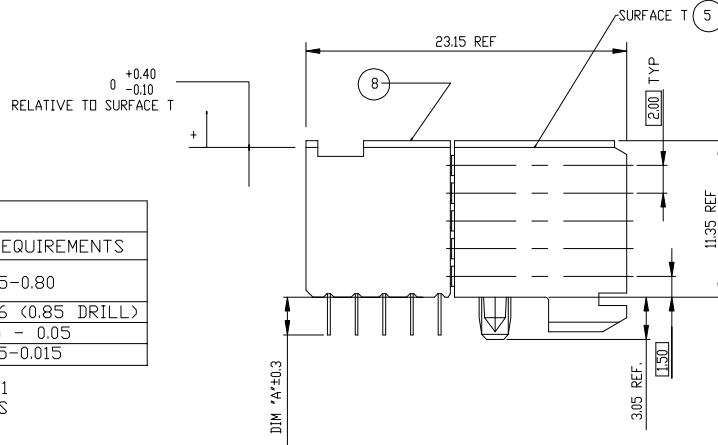
* SEE NOTE 11 FOR LEAD FREE OPTIONS

HOLE DIAMETER AFTER PLATING	0.65-0.80
DRILLED HOLE	0.81-0.86 (0.85 DRILL)
COPPER PLATING	0.025 - 0.05
SnPb PLATING	0.005-0.015

SEE DRAWING 58351 FOR OTHER OPTIONS



RECOMMENDED PC BOARD LAYOUT, COMPONENT SIDE.



mat'l. code				tolerances unless otherwise specified		CUSTOMER COPY	FCI		
ltr	ecn no	dr	date	linear	.X ±.3	projection	www.fciconnect.com		
L	DG09-0068	Cenh	06/06/09		.XX ±.13			title	
F	V03-0721	DAI	8/18/03	angles	.XXX ±.051			B SERIES R/A SIGNAL RECEIPT ASSY, 5 ROW, 7 MOD, PF/STB	
G	V05-1012	JRV	11/3/05	dr	0° ±2°			product family METRAL	
H	DG06-0510	Cenh	12/06/06	engr				code	
J	DG07-0173	Cenh	6/05/07	chr				213	
K	DG08-0171	TER	9/01/08	app				size	
								dwg no	
								73944	
								sheet	
								1 of 2	
sheet index	revision sheet	L	L						
		1	2						

cage code 22526



PRODUCT NO	TAIL TYPE	PEG TYPE	DIM A	ROW	1 2						3						4																								
					42	41	40	39	38	37	36	35	34	33	32	31	30	29	28	27	26	25	24	23	22	21	20	19	18	17	16	15	14	13	12	11	10	9	8	7	6
73944-X020	PRESS	PRESS	2.90	E	-	-	-	-	-	-	-	-	-	-	-	-	-	-	-	-	-	-	-	-	-	-	-	-	-	-	-	-	-	-	-	-	-	-	-	-	
				D	X	X	X	X	X	X	X	X	X	X	X	X	X	X	X	X	X	X	X	X	X	X	X	X	X	X	X	X	X	X	X	X	X	X	X	X	
				C	X	X	X	X	X	X	X	X	X	X	X	X	X	X	X	X	X	X	X	X	X	X	X	X	X	X	X	X	X	X	X	X	X	X	X	X	
				B	X	X	X	X	X	X	X	X	X	X	X	X	X	X	X	X	X	X	X	X	X	X	X	X	X	X	X	X	X	X	X	X	X	X	X	X	
A	X	X	X	X	X	X	X	X	X	X	X	X	X	X	X	X	X	X	X	X	X	X	X	X	X	X	X	X	X	X	X	X	X	X	X	X					

NOTES:

- ① CONNECTOR MATERIALS:
HOUSING: LCP, 30% GLASS FILLED,
UL 94-V0 COMPLIANT
TERMINAL: PHOSPHOR BRONZE ALLOY
2. PLATING ON TAIL:
PRESS-FIT TYPE
73944-XYX IS 0.5-1.5um SnPb
73944-XYLF IS 0.5-1.5um Sn (LEAD FREE)
SOLDER-TO-BOARD TYPE
73944-XYX IS 2-8um SnPb
73944-XYLF IS 2-8um Sn (LEAD FREE)
3. PRODUCT SPECIFICATION:
GS-12-002
4. APPLICATION SPECIFICATIONS:
BUS-20-061
GS-20-001
TA-941
- ⑤ PRODUCT MARKING: (PART NUMBER & LOT CODE).
- ⑥ INDICATED HOLES ARE UNPLATED.
- ⑦ DIAMOND LOCATION PEG ARE ONLY EXISTED ON THE BOTH SIDES OF PRODUCT.
- ⑧ TOP SURFACE OF PRESS BLOCK MAY EXTEND UP TO 0.4MM HIGHER THAN HOUSING. THIS MAY AFFECT THE TAIL LENGTH BEFORE APPLICATION TO A BOARD.
- ⑨ DIMENSION APPLIES TO BOTH PRESS-FIT AND SOLDER TAIL TERMINATIONS.
10. THESE PRODUCTS WHERE THE PART NUMBER ENDS IN "LF" MEET THE EUROPEAN UNION DIRECTIVES AND OTHER COUNTRY REGULATIONS AS DESCRIBED IN GS-22-008.

ALL PRODUCTS MANUFACTURED BEFORE APRIL 2006 WILL WITHSTAND EXPOSURE TO 240°C FOR 60 SECONDS IN A CONVECTION, INFAR-RED OR VAPOR PHASE REFLOW OVEN.

ALL PRODUCTS MANUFACTURED AFTER MARCH 2006 WILL WITHSTAND EXPOSURE TO 260°C FOR 60 SECONDS IN A CONVECTION, INFAR-RED OR VAPOR PHASE REFLOW OVEN.
- ⑪ FOR LEAD FREE PART NUMBERS ADD "LF" SUFFIX. EXAMPLE: 73944-XYXYLF.

LOAD PATTERN	
X	LOADED
-	NOT LOADED

mat'l. code				tolerances unless otherwise specified				CUSTOMER COPY		 www.fciconnect.com	
ltr	ecn no	dr	date	linear	.XX ±13		projection	 MM		title B SERIES R/A SIGNAL RECEIPT ASSY, 5 ROW, 7 MOD, PF/STB	
L					.XXX ±0.51						
				angles	0° ±2°				product family METRAL		code
				dr	T. BREWBAKER	10/16/98			size/dwg no		213
				eng	C. PENDLETON	10/16/98			A		sheet
				chr	C. PENDLETON	10/16/98	scale	1:1		73944	
				app	C. PENDLETON	10/16/98					2 of -
sheet index	revision sheet										

cage code
22526