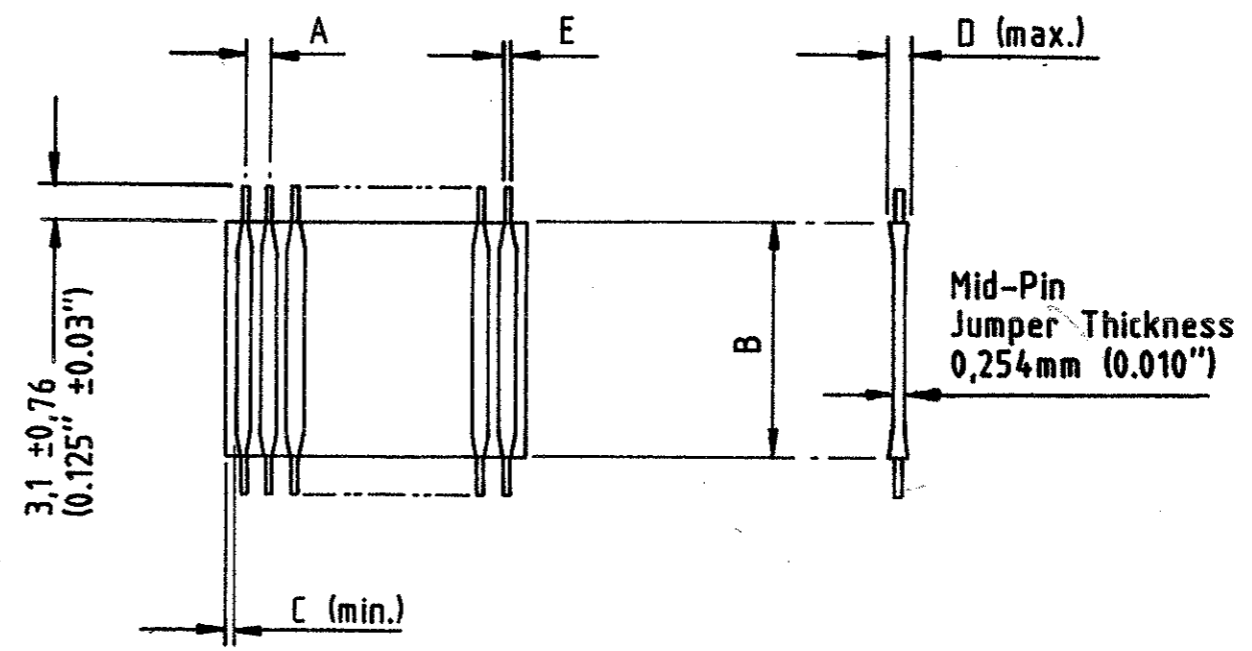




FLEXSTRIP* JUMPERS

Cat. Ref.	† CONDUCTOR PITCH "A"		MARGIN C (min.)	THICKNESS D (MAX.)	PIN DIAMETER E ±0.025 (±.001")		NUMBER OF CONDUCTORS		
	mm	(inch)	mm	(inch)	mm	(inch)	min.	max.	
1	1,27	.050"	0,25	.010"	0,64	.025"	0,320	.0126"	2 - 30
6	1,90	.075"	0,38	.015"	0,84	.033"	0,404	.0159"	2 - 30
2	2,54	.100"	0,51	.020"	0,84	.033"	0,511	.0201"	2 - 30
3	3,18	.125"	1,52	.060"	0,84	.033"	0,511	.0201"	2 - 25
4	3,81	.150"	1,52	.060"	0,84	.033"	0,511	.0201"	2 - 20
5	5,08	.200"	1,52	.060"	0,84	.033"	0,511	.0201"	2 - 15

2/86



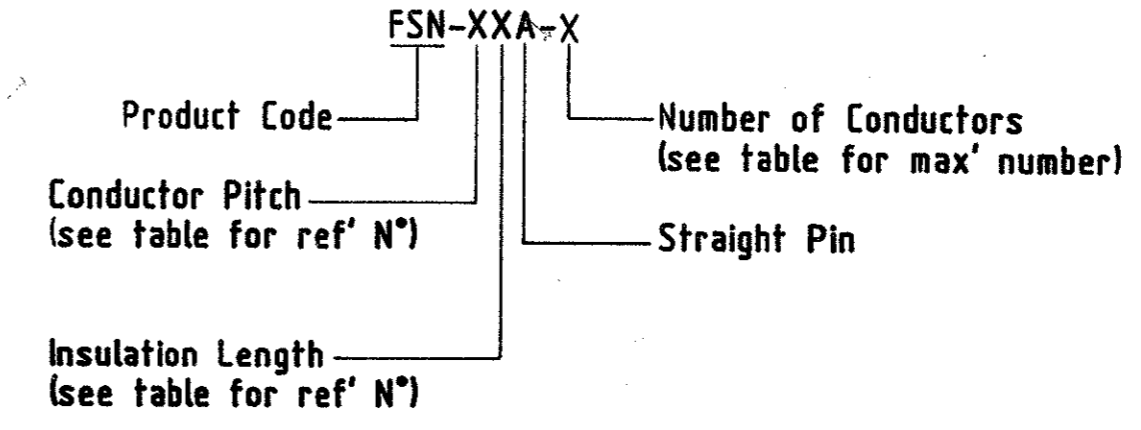
Dimensions are shown in mm (inches.)
† Tolerance on Pitch ±0,25 (0.01") non-cumulative.

INSULATION LENGTH B ±1.57 (±0.062")		
mm	(inch)	Cat. Ref.
25.4	1	1
38.1	1½	1.5
50.8	2	2
63.5	2½	2.5
76.2	3	3
88.9	3½	3.5
101.6	4	4
114.3	4½	4.5
127	5	5
139.7	5½	5.5
152.4	6	6

PROPERTIES :-
 Insulation Material - Nomex#
 Temperature Rating - 105°C
 Current Rating - 2 amps
 U.L. Style Number - 5188

NOTES:-
 *Trademark of Thomas & Betts Corporation
 # Registered trademark of E.I. Du Pont de Nemours

CATALOGUE NUMBERING SYSTEM



EXAMPLE:-

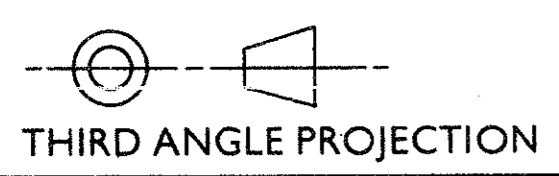
FSN -22A - 15

FSN - Flexstrip Jumper With Nomex Insulation
 2 - Conductor Pitch 2.54 (0.100)
 2 - Insulation Length 50.8 (2)
 A - Straight Pin
 15 - Number of Conductors 15

T&B THOMAS & BETTS INTERNATIONAL
 EUROPEAN ENGINEERING DIVISION

DRG. N°
 3S-10018

IMPERIAL DIMENSIONS SHOWN THUS []
 TOLERANCES
 .0000 EQUALS ±.0002
 .000 EQUALS ±.003
 .00 EQUALS ±.015



MATERIAL	PART NAME
HEAT TREAT	PRODUCT CODE
FINISH	TOLERANCES UNLESS OTHERWISE SPECIFIED
SCALE	
DR.	FSN-14A-30
CH.	
APP.	
REV	DESCRIPTION
DATE	BY

tyco C 3-1437133-0
 Electronics REV 0 SHT 1 OF 1