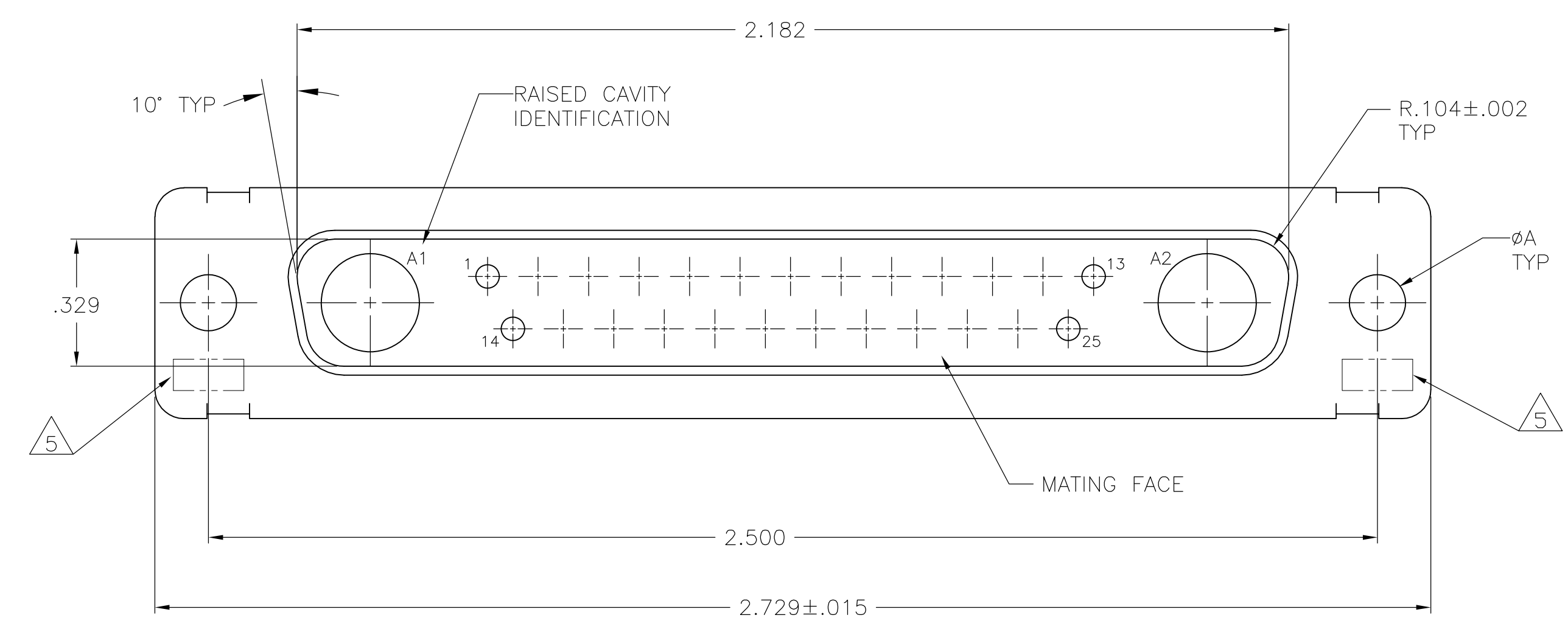
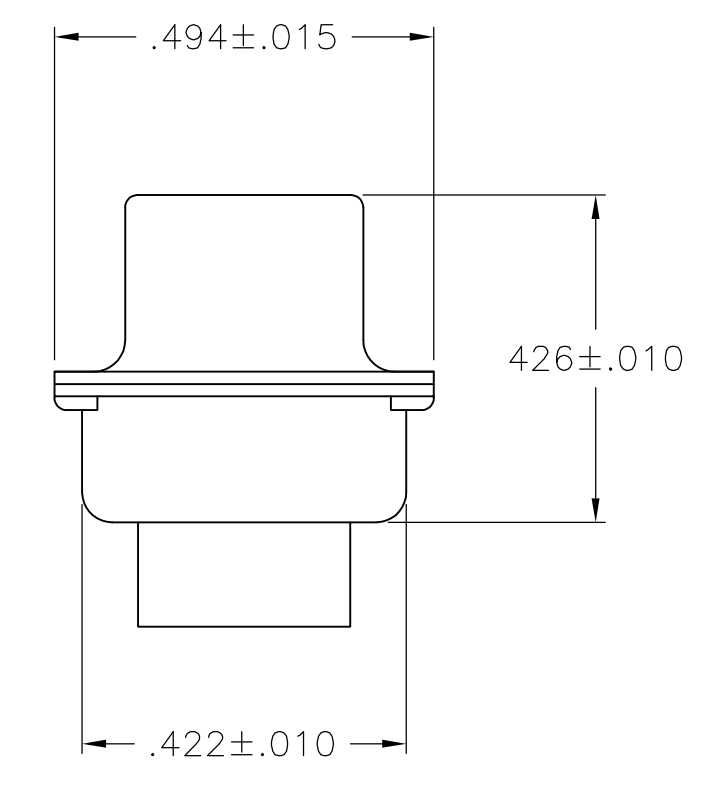
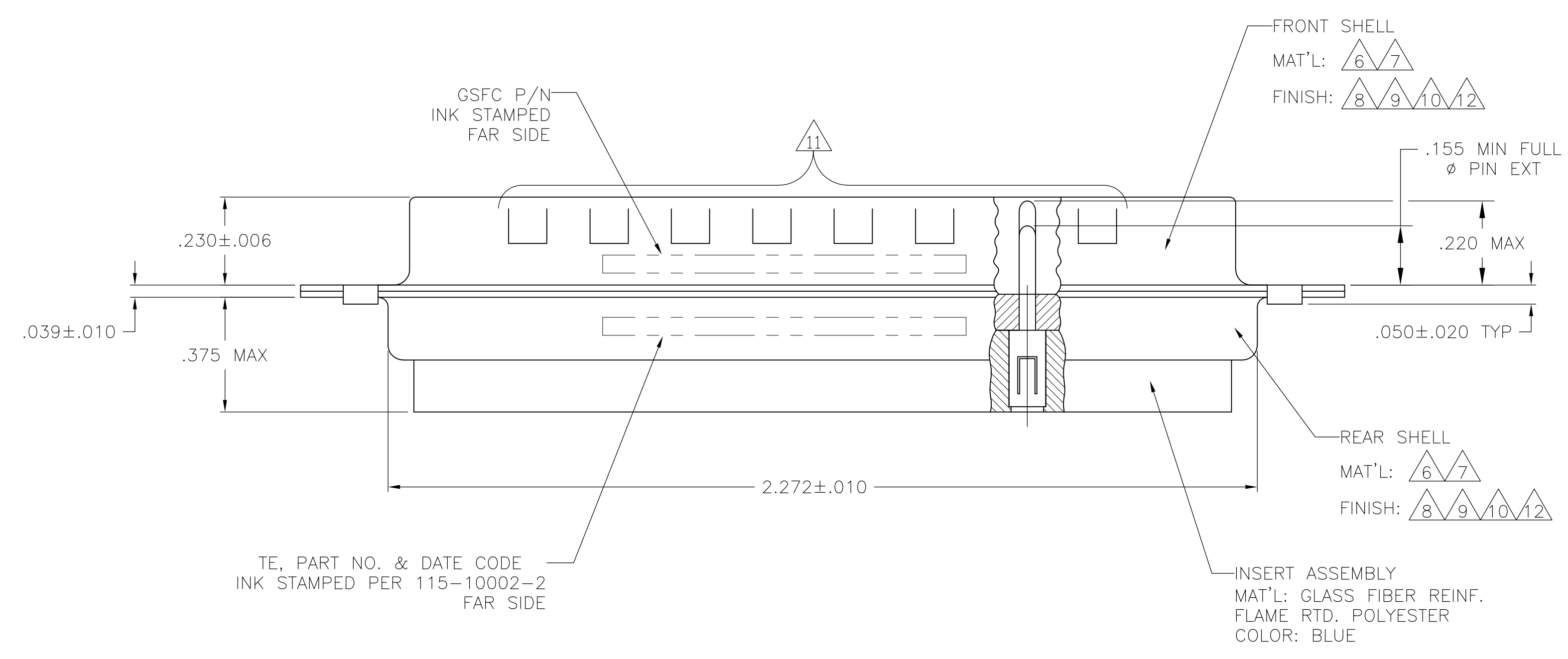


1. THIS PLUG WILL MATE WITH ANY 27C2, SIZE 4 RECEPTACLE IN AMPLIMITE SERIES.
2. MAXIMUM WIRE INSULATION TO BE USED WITH THIS PLUG IS  $\phi.068$ .
3. THIS CONNECTOR ACCEPTS (2) POWER 8, OR COAX PIN CONTACTS IN POSITIONS A1 THRU A2, PURCHASED SEPARATELY.
4. THIS CONNECTOR ACCEPTS SIZE 20 PIN SIGNAL CONTACTS IN POSITIONS 1 THRU 25, PURCHASED SEPARATELY.



- 5 UL/CSA DESIGNATION STAMPED IN THIS AREA, OPTIONAL.
- 6 STEEL PER ASTM-A-109.
- 7 BRASS PER MIL-C-50 AND ASTM-B-36 UNS NO. C26000.
- 8 CADMIUM PLATED PER QQ-P-416.
- 9 FINISH: GOLD PLATED PER MIL-G-45204 TYPE II, GRADE C, CLASS 1 OVER COPPER PER MIL-C-14550, CLASS IV.
- 10 FINISH: TIN PER ASTM-B-545, .000400 MIN THK OVER COPPER PER AMS2418 .000050 MIN THK.
- 11 GROUNDING INDENTS FOR 212538-4 & 5-212538-4 ONLY.
- 12 FINISH: ZINC PLATE PER ASTM-B-633 .000200-.000400 THK WITH SUPPLEMENTARY CHROMATE (Cr3+).



$\triangle 6 \triangle 11 \triangle 10$	.120	-	5-212538-4
$\triangle 6 \triangle 12$	.120	-	5-212538-1
$\triangle 6 \triangle 10 \triangle 11$	.120	-	212538-4
$\triangle 7 \triangle 9$	.154	311P405-21P-B-15	212538-3
$\triangle 7 \triangle 9$	.120	311P405-21P-B-12	212538-2
$\triangle 6 \triangle 8$	.120	-	212538-1
REMARKS	ØA	GSFC P/N	PART NO.

THIS DRAWING IS A CONTROLLED DOCUMENT.

DIMENSIONS: INCHES	TOLERANCES UNLESS OTHERWISE SPECIFIED:	DIN C.C.THOMAS 21JAN88	APVD A.FMADI 27JAN88	NAME PLUG ASSEMBLY AMPLIMITE 27C2 SIZE 4, SERIES 109, COAX MIX
0 PLC ± -	1 PLC ± -	2 PLC ± -	3 PLC ± .005(0.13)	4 PLC ± ± 0°.30'
MATERIAL	FINISH	WEIGHT	SCALE 4:1	SHEET 1 OF 1

STE TE Connectivity  
 CUSTOMER DRAWING  
 SIZE A1 00779C=212538  
 DATE 27JAN88